



BUILT-IN MICROWAVE OVEN
LÒ VI SÓNG ÂM TỬ
USER MANUAL
HƯỚNG DẪN SỬ DỤNG

Model: MW927BG

PRECAUTIONS TO AVOID POSSIBLE EXPOSURE TO EXCESSIVE MICROWAVE ENERGY

- (a) Do not attempt to operate this oven with the door open, this can result in harmful exposure to microwave energy. It is important not to break or tamper with the safety interlocks.
- (b) Do not place any object between the oven front face and the door or allow food or cleaner residue to accumulate on sealing surfaces.
- (c) **WARNING:** If the door or door seals are damaged, the oven must not be operated until it has been repaired by a competent person. Please contact Caple Service on 18001212 or email info@malloca.com

ADDENDUM

If the apparatus is not maintained in a good state of cleanliness, its surface could be degraded and affect the lifespan of the apparatus and lead to a dangerous situation.

Specifications

| | |
|---------------------------------|----------------|
| Model: | MW927BG |
| Rated Voltage: | 230V~50Hz |
| Rated Input Power (Microwave): | 1450W |
| Rated Output Power (Microwave): | 900W |
| Rated Input Power (Grill): | 1000W |
| Oven Capacity: | 25L |
| Turntable Diameter: | Ø315mm |
| External Dimensions (WxDxH): | 595x400x388 mm |
| Net Weight: | Approx. 18.6kg |

IMPORTANT SAFETY INSTRUCTIONS

WARNING To reduce the risk of fire, electric shock, injury to persons or exposure to excessive microwave oven energy when using your appliance follow basic precautions, including the following:

1. **Warning:** Liquids and other foods must not be heated in sealed containers as they are liable to explode.
2. **Warning:** It is hazardous for anyone other than a competent person to carry out any service or repair operation that involves the removal of a cover which gives protection against exposure to microwave energy.
3. This appliance can be used by children aged from 8 years and above and persons with reduced physical, sensory or mental capabilities or lack of experience and knowledge if they have been given supervision or instruction concerning use of the appliance in a safe way and understand the hazards involved. Children must not play with the appliance. Cleaning and user maintenance shall not be made by children unless they are older than 8 and supervised.
4. Keep the appliance and its cord out of reach of children less than 8 years.
5. Only use utensils suitable for use in microwave ovens.
6. The oven should be cleaned regularly and any food deposits should be removed.
7. Read and follow the specific: "PRECAUTIONS TO AVOID POSSIBLE EXPOSURE TO EXCESSIVE MICROWAVE ENERGY".
8. When heating food in plastic or paper containers, keep an eye on the oven due to the possibility of ignition.
9. If smoke is emitted, switch off or unplug the appliance and keep the door closed in order to stifle any flames.

10. Do not overcook food.
11. Do not use the oven cavity for storage purposes. Do not store items, such as bread, cookies, etc. inside the oven.
12. Remove wire twists and metal handles from paper or plastic containers/bags before placing them in the oven.
13. Install or locate this oven only in accordance with the installation instructions provided.
14. Eggs in the shell and whole hard-boiled eggs should not be heated in microwave ovens since they may explode, even after microwave heating has ended.
15. This appliance is intended to be used in household and similar applications such as:
 - staff kitchen areas in shops, offices and other working environments;
 - by clients in hotels, motels and other residential type environments;
 - farm houses;
 - bed and breakfast type environments.
16. If the supply cord is damaged, it must be replaced by the manufacturer, its service agent or similarly qualified persons in order to avoid a hazard.
17. Do not store or use this appliance outdoors.
18. Do not use this oven near water, in a wet basement or near a swimming pool.
19. The temperature of accessible surfaces may be high when the appliance is operating. The surfaces are liable to get hot during use. Keep the cord away from heated surfaces, and do not cover any vents on the oven.
20. Do not let the cord hang over edge of a table or counter.
21. Failure to maintain the oven in a clean condition could lead to deterioration of the surface that could adversely affect the life of the appliance and possibly result in a hazardous situation.

22. The contents of feeding bottles and baby food jars must be well stirred or shaken and the temperature checked before consumption, in order to avoid burns.
23. Microwave heating of beverages can result in delayed eruptive boiling, therefore care must be taken when handling the container.
24. The appliance is not intended for use by persons (including children) with reduced physical, sensory or mental capabilities, or lack of experience and knowledge, unless they have been given supervision or instruction concerning use of the appliance by a person responsible for their safety.
25. Children should be supervised to ensure that they do not play with the appliance.
26. The appliances are not intended to be operated by means of an external timer or separate remote-control system.
27. Accessible parts may become hot during use. Young children should be kept away.
28. Steam cleaners must not be used.
29. During use the appliance becomes hot. Care should be taken to avoid touching heating elements inside the oven.
30. **WARNING:** The appliance and its accessible parts become hot during use. Care should be taken to avoid touching heating elements. Children less than 8 years of age shall be kept away unless continuously supervised.
31. The microwave oven must be operated with the decorative door open. (for ovens with a decorative door.)
32. Surface of a storage cabinet can get hot.

READ CARE FULLY AND KEEP FOR FUTURE REFERENCE

Grounding installation

DANGER

Electric Shock Hazard

Touching some of the internal components can cause serious personal injury or death. Do not disassemble this appliance.

WARNING

Electric Shock Hazard

Improper use of the grounding can result in electric shock. Do not plug into an outlet until appliance is properly installed and grounded.

This appliance must be grounded/**earthed**. In the event of an electrical short circuit, grounding reduces the risk of electric shock by providing an escape wire for the electric current. This appliance is equipped with a cord having a grounding wire with a grounding plug. The plug must be plugged into an outlet that is properly installed and grounded.

Consult a qualified electrician or serviceman if the grounding instructions are not completely understood or if doubt exists as to whether **the** appliance is properly grounded. If it is necessary to use an extension cord, use only a 3-wire extension cord.

1. A short power-supply cord is provided to reduce **the** risks resulting from becoming entangled in or tripping over a longer cord.

2. If a long cord set is used:

1)The marked electrical rating of the cord set or extension cord should be at least as great as the electrical rating of the appliance.

2)The extension cord must be a grounding-type 3-wire cord.

3)The long cord should be arranged so **that** it will not drape over the counter top or tabletop where it can be pulled on by children or tripped over unintentionally.

CLEANING

Be sure to unplug the appliance from the power supply.

1. Clean the cavity of the oven after using with a slightly damp cloth.

2. Clean the accessories in the usual way in soapy water.

3. The door frame and seal and neighbouring parts must be cleaned carefully with a damp cloth when they are dirty.

4. Do not use harsh abrasive cleaners or sharp metal scrapers to clean the oven door glass since they can scratch the surface, which may result in shattering of the glass.

5. Cleaning Tip: For easier cleaning of the cavity walls that the food cooked can touch:

Place half a lemon in a bowl, add 300ml (1/2 pint) water and heat on 100% microwave power for 10 minutes.

Wipe the oven clean using a soft, dry cloth.

UTENSILS

CAUTION

Personal Injury Hazard

It is hazardous for anyone other than a competent person to carry out any service or repair operation that involves the removal of a cover which gives protection against exposure to microwave energy.

See the instructions on "Materials you can use in microwave oven" There may be certain non-metallic utensils that are not safe to use for microwaving. If in doubt, you can test the utensil in question following the procedure below.

Utensil Test:

1. Fill a microwave-safe container with 1 cup of cold water (250ml) along with the utensil in question.
2. Cook on maximum power for 1 minute.
3. Carefully feel the utensil. If the empty utensil is warm, do not use it for microwave cooking.
4. Do not exceed 1 minute cooking time.

Materials you can use in microwave oven

| Utensils | Remarks |
|-----------------------|---|
| Aluminum foil | Shielding only. Small smooth pieces can be used to cover thin parts of meat or poultry to prevent overcooking. Arcing can occur if foil is too close to oven walls. The foil should be at least 1 inch (2.5cm) away from oven walls. |
| Browning dish | Follow manufacturer's instructions. The bottom of the browning dish must be at least 3/16 inch (5mm) above the turntable. Incorrect usage may cause the turntable to break. |
| Dinnerware | Microwave-safe only. Follow manufacturer's instructions. Do not use cracked or chipped dishes. |
| Glass jars | Always remove lid. Use only to heat food until just warm. Most glass jars are not heat resistant and may break. |
| Glassware | Heat-resistant oven glassware only. Make sure there is no metallic trim. Do not use cracked or chipped dishes. |
| Oven cooking bags | Follow manufacturer's instructions. Do not close with metal tie. Make slits to allow steam to escape. |
| Paper plates and cups | Use for short-term cooking/warming only. Do not leave oven unattended while cooking. |
| Paper towels | Use to cover food for reheating and absorbing fat. Use with supervision for a short-term cooking only. |
| Parchment paper | Use as a cover to prevent splattering or a wrap for steaming. |
| Plastic | Microwave-safe only. Follow the manufacturer's instructions. Should be labelled "Microwave Safe". Some plastic containers soften, as the food inside gets hot. "Boiling bags" and tightly closed plastic bags should be slit, pierced or vented as directed by package. |
| Plastic wrap | Microwave-safe only. Use to cover food during cooking to retain moisture. Do not allow plastic wrap to touch food. |
| Thermometers | Microwave-safe only (meat and candy thermometers). |
| Wax paper | Use as a cover to prevent splattering and retain moisture. |

Materials to be avoided in microwave oven

| Utensils | Remarks |
|---------------------------------|--|
| Aluminum tray | May cause arcing. Transfer food into microwave-safe dish. |
| Food carton with metal handle | May cause arcing. Transfer food into microwave-safe dish. |
| Metal or metal-trimmed utensils | Metal shields the food from microwave energy. Metal trim may cause arcing. |
| Metal twist ties | May cause arcing and could cause a fire in the oven. |
| Paper bags | May cause a fire in the oven. |
| Plastic foam | Plastic foam may melt or contaminate the liquid inside when exposed to high temperature. |
| Wood | Wood will dry out when used in the microwave oven and may split or crack. |

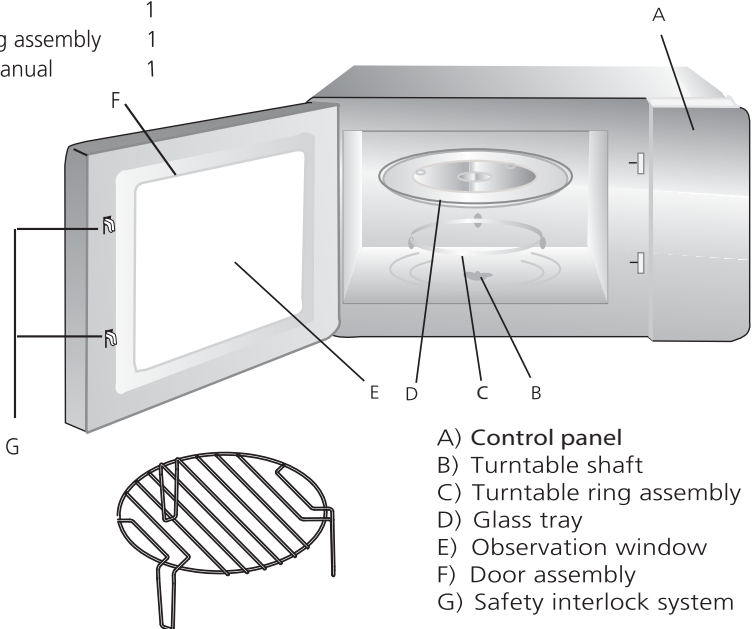
SETTING UP YOUR OVEN

Names of oven parts and accessories

Remove the oven and all materials from the carton and oven cavity.

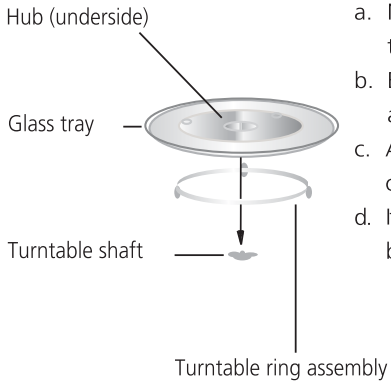
Your oven comes with the following accessories:

| | |
|-------------------------|---|
| Glass tray | 1 |
| Turntable ring assembly | 1 |
| Instruction Manual | 1 |



Grill Rack(must only be used in the grill function and be placed on the glass tray)

Turntable installation



- a. Never place the glass tray upside down. The glass tray should never be restricted.
- b. Both glass tray and turntable ring assembly must always be used during cooking.
- c. All food and containers of food are always placed on the glass tray for cooking.
- d. If the glass tray or turntable ring assembly cracks or breaks, contact your nearest Caple service center.

Installation and connection

1. This appliance is only intended for domestic use.
2. This oven is intended for built-in use only. It is not intended for counter-top use or for use inside a cupboard.
3. Please observe the special installation instructions.
4. The appliance can be installed in a 60cm wide wall-mounted cupboard (at least 55cm deep and 85cm off the floor).
5. The appliance is fitted with a plug and must only be connected to a properly installed earthed socket.
6. The mains voltage must correspond to the voltage specified on the rating plate.
7. The socket must be installed and connecting cable must only be replaced by a qualified electrician. If the plug is no longer accessible following installation, an all-pole disconnecting device must be present on the installation side with a contact gap of at least 3mm.
8. Adapters, multi-way strips and extension leads must not be used. Overloading can result in a risk of fire.

The accessible surface may be hot during operation.



Installation Instructions

Please Read the Manual Carefully Before Installation

Please note

Electrical connection

The oven is fitted with a plug and must only be connected to a properly installed earthed socket. The socket must only be installed and the connecting cable must only be replaced by a qualified electrician, and in accordance with the appropriate regulations. If the plug is no longer accessible following installation, an all-pole isolating switch must be present on the installation side with a contact gap of at least 3mm.

The fitted cabinet must not have a back wall behind the appliance.

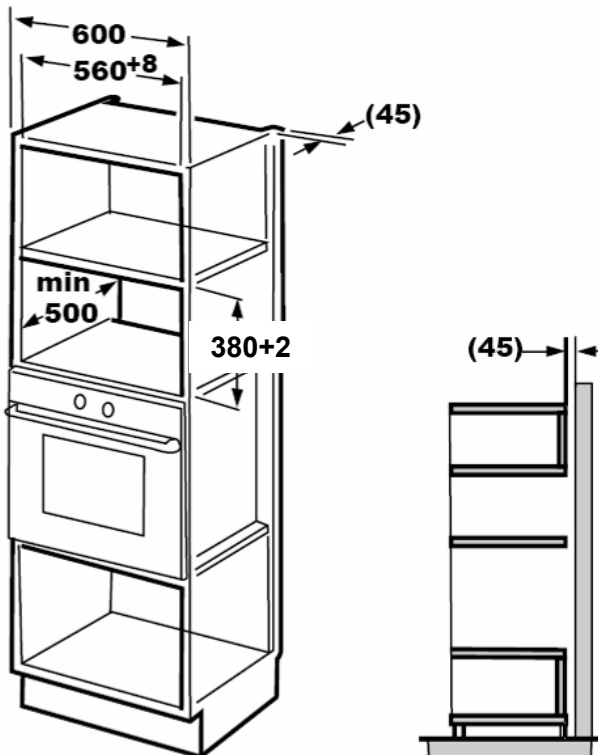
Minimum installation height: 85 cm.

Do not cover ventilation slots and suction holes.

Note:

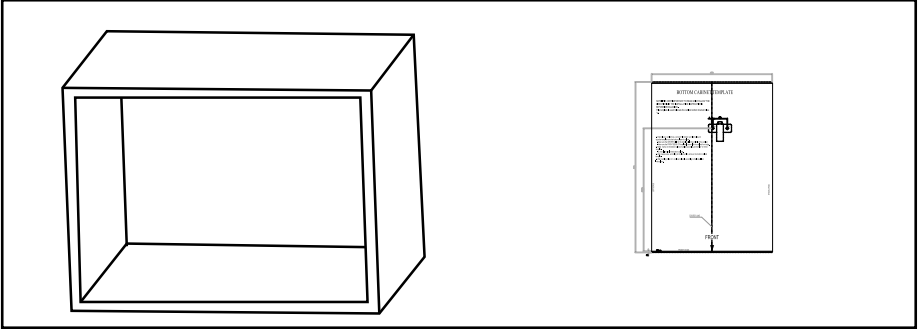
Do not trap or bend the power cable.

A. Built-in furniture

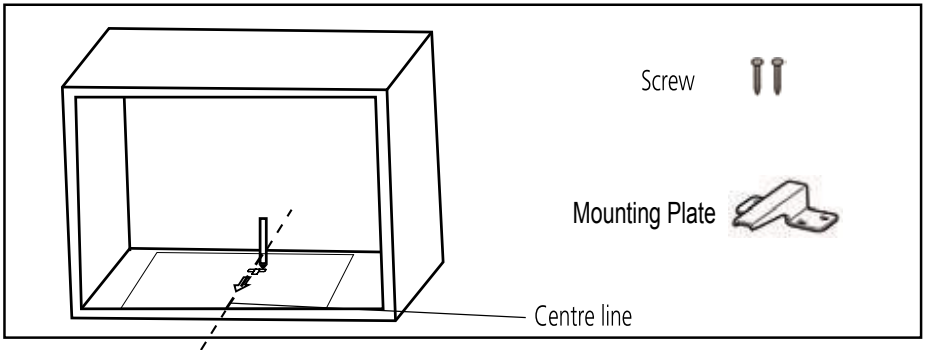


B.Prepare the cabinet

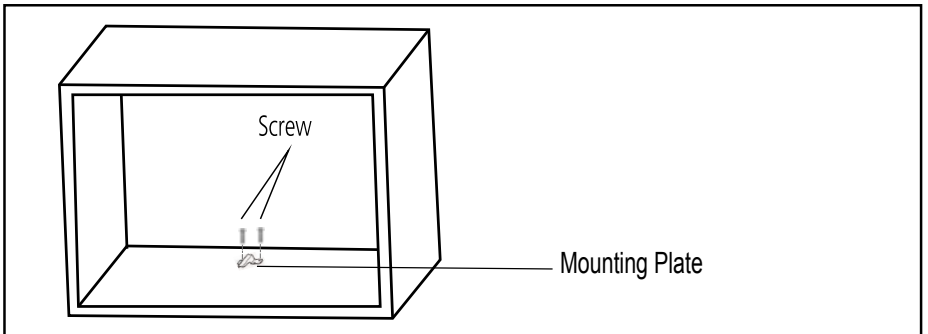
1. Read the instruction on the BOTTOM CABINET TEMPLATE, put the template on the bottom plane of cabinet.



2. Make the marks on the bottom plane of cabinet according to marks "a" on the template



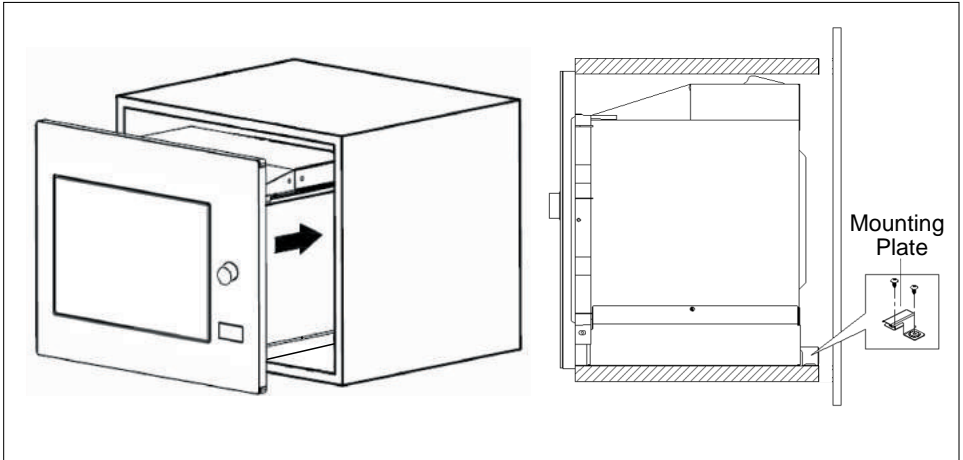
3. Remove the bottom cabinet template and fix the bracket with screw.



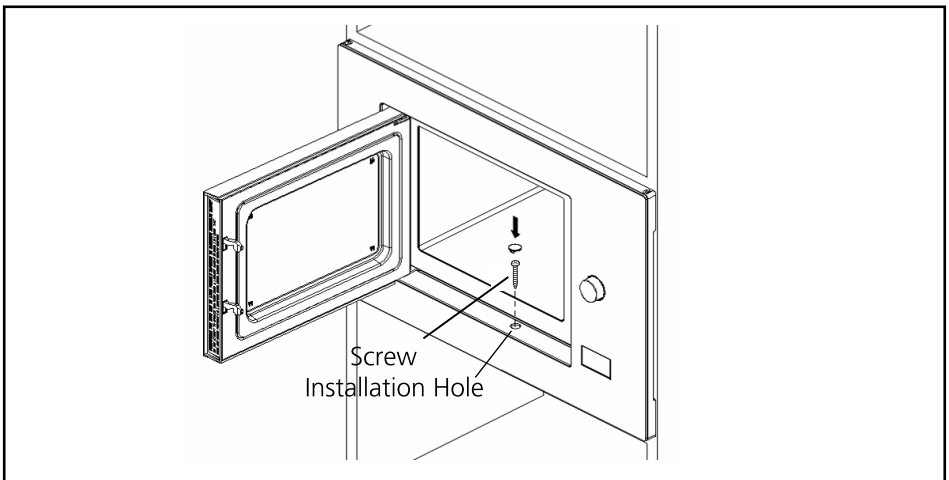
C. Install the oven

4. Install the oven to the cabinet

- Make sure the back of the oven is locked by the bracket -
- Take care not to trap or kink the power cord.

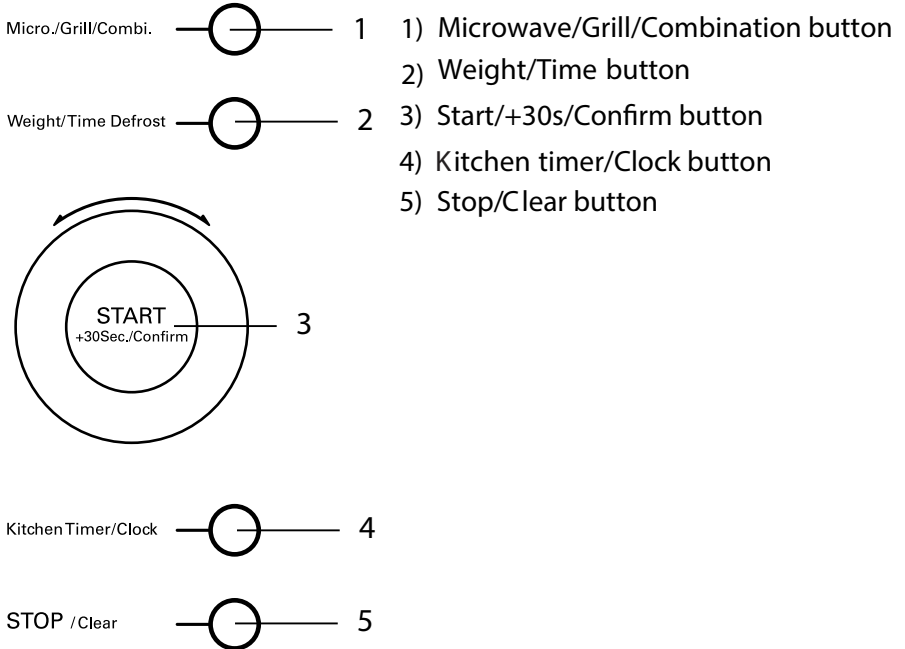


5. Open the door, fix the oven to the cabinet with Screw at the installation hole.



CONTROL PANEL

The below diagram shows the functions of each button and the following pages explain the operation instructions.





OPERATION INSTRUCTION

This microwave oven uses modern electronic control to adjust cooking parameters to meet your needs better for cooking.

1. Clock Setting

When the microwave oven is electrified, the oven will display "0:00", the buzzer will ring once.



- 1) Press "**Kitchen Timer/Clock**" twice, the hour figure flash;
- 2) Press " " to adjust the hour figures, the input time should be within 0--23.
- 3) Press "**Kitchen Timer/Clock**", the minute figures will flash.
- 4) Turn " " to adjust the minute figures, the input time should be within 0--59.
- 5) Press "**Kitchen Timer/Clock**" to finish clock setting. ":" will flash.

The clock setting has **now** finished.

Note: 1) If the clock is not set, it will display 0:00 in waiting state.

- 2) During the process of clock setting, if you press "**Stop/Clear**", the oven will go back to the previous status automatically.

2. Microwave Cooking

- 1) Press the "**Micro./Grill/Combi.**" key once, and "P100" will display.
- 2) Press "**Micro./Grill/Combi.**" for times or press " " to select the microwave power from 100% to 10%. "P100", "P80", "P50", "P30", "P10" will display in order.
- 3) Press "**Start/+30Sec./Confirm**" to confirm.
- 4) Press " " to adjust the cooking time.
(The time setting should be 0:05- 95:00.)
- 5) Press "**Start/+30Sec./Confirm**" to start cooking.



NOTE: the step quantities for the adjustment time of the coding switch are as follow:

- 0---1 min : 5 seconds
- 1---5 min : 10 seconds
- 5---10 min : 30 seconds
- 10---30 min : 1 minute
- 30---95 min : 5 minutes

Microwave Power Chart

| Microwave Power | 100% | 80% | 50% | 30% | 10% |
|-----------------|------|-----|-----|-----|-----|
| Display | P100 | P80 | P50 | P30 | P10 |

3. Grill or combination cooking


Press "**Micro./Grill/Combi.**" once the LED will display "P100", and press "**Micro./Grill/Combi.**" for times or press the " " to choose the power you want, and "G", "C-1" or "C-2" will display. Then press "**Start/+30Sec./Confirm**" to confirm, and press " " to set cooking time from 0:05 to 95:00. Press "**Start/+30Sec./Confirm**" again to start cooking.

Example: If you want to use 55% microwave power and 45% grill power(C-1) to cook for 10 minutes, you can operate the oven as the following steps.

- 1) Press "**Micro./Grill/Combi.**" once, the screen displays "P100".

- 2) Continue to press "**Micro./Grill/Combi.**" until the screen displays "C-1".

- 3) Press "**Start/+30Sec./Confirm**" to confirm.

- 4) Press " " to adjust the cooking time until the oven displays "10:00".


- 5) Press "**Start/+30Sec./Confirm**" to start cooking .

Combination Power instructions:


| Program | Display | Microwave Power | Grill Power |
|---------|---------|-----------------|-------------|
| Grill | G | 0% | 100% |
| Combi.1 | C-1 | 55% | 45% |
| Combi.2 | C-2 | 36% | 64% |

Note: If half the grill time passes, the oven sounds twice, this is normal. In order to have a better effect of grilling food, you should turn the food over, close the door, and then press "**Start/+30Sec./Confirm**" to continue cooking. If no operation, the oven will working as previously set.

4. Defrost by weight

- 1) Press "**Weight/Time Defrost**" once, the screen will display "dEF1".
- 2) Press " " to select the food weight. The range of weight is 100-2000g.
- 3) Press "**Start/+30Sec./Confirm**" key to start defrosting.

5. Defrost By Time




- 1) Press " **Weight/Time Defrost** " twice, the screen will display "dEF2".
- 2) Press "  " to select the cooking time. The maximum time is 95 minutes.
- 3) Press " **Start/+30Sec./Confirm** " key to start defrosting.

6. Multi-Stage Cooking


Two stages can be for **cooking** . If one stage is defrosting, it should be put in the first stage. The buzzer will ring once after each stage and the next stage will begin.

Note: Auto menu cannot be set as one of the multi-stage **cooking options** .

Example: if you want to defrost the food for 5 minutes, then to cook with 80% microwave power for 7 minutes. The steps are as following:



- 1) Press " **Weight/Time Defrost** " twice, the LED display "dEF2".
- 2) Press "  " to adjust the defrost time of 5 minutes;
- 3) Press " **Micro/Grill/Combi.** " once, LED will display "P100".
- 4) Press "  " to choose microwave power till "P80" display;
- 5) Press " **Start/+30Sec./Confirm** " to confirm, LED will display "P80".
- 6) Press "  " to adjust the cooking time of 7 minutes;
- 7) Press " **Start/+30Sec./Confirm** " to start cooking.

7. Kitchen Timer

- (1) Press " **Kitchen Timer/Clock** " once, LED will display 00:00.
- (2) Press "  " to enter the correct time.
(The maximum cooking time is 95 minutes)
- (3) Press " **Start/+30Sec./Confirm** " to confirm setting, timer indicator will **illuminate**.
- (4) When the time is reached, the timer indicator will go out. The buzzer will ring 5 times.
If the clock is set (24-hour system), the LED will display the current time.

Note: The kitchen timer is differ from the 24-hour system, the Kitchen Timer is a timer only.


8. Auto Menu

- 1) Once switched on turn "  " to choose the menu from "A-1" to "A-8".
- 2) Press "Start/+30Sec./Confirm" to confirm the menu you choose.
- 3) Turn "  " to choose the food weight.
- 4) Press " Start/+30Sec./Confirm " to start cooking.
- 5) After cooking is finished, the buzzer sounds five times. The LED will display the current time or 0:00.

The menu chart:

| Menu | Weight | Display |
|-------------------|------------------------------|---------|
| A-1 Pizza | 200 g | 200 |
| | 400 g | 400 |
| A-2 Meat | 250 g | 250 |
| | 350 g | 350 |
| | 450 g | 450 |
| A-3 Vegetables | 200 g | 200 |
| | 300 g | 300 |
| | 400 g | 400 |
| A-4 Pasta | 50g(with 450 ml cold water) | 50 |
| | 100g(with 800 ml cold water) | 100 |
| A-5 Potato | 200 g | 200 |
| | 400 g | 400 |
| | 600 g | 600 |
| A-6 Fish | 250 g | 250 |
| | 350 g | 350 |
| | 450 g | 450 |
| A-7 Beverage | 1 cup(120 ml) | 1 |
| | 2 cups(240 ml) | 2 |
| | 3 cups(360 ml) | 3 |
| A-8 Popcorn | 50 g | 50 |
| | 100 g | 100 |

9. Speedy cooking

- 1) In waiting state, press "**Start/+30Sec./Confirm**" key to cook with 100% power level for 30 seconds. Each press on the same key can increase 30 seconds. The maximum cooking time is 95 minutes.
- 2) During the microwave, grill, combination cooking and the defrost by time process, press "**Start/+30Sec./Confirm**" to increase the cooking time.
- 3) In waiting state, turn " " to set cooking time with 100% microwave power, then press "**Start/+30Sec./Confirm**" to start cooking.

Note: Under the states of auto menu and defrost by weight, the cooking time cannot be increased by pressing "**Start/+30Sec./Confirm**"

10. Lock function / Child lock

To Lock: In waiting state, press "**Stop/Clear**" for 3 seconds, there will be a long beep denoting entering the child-lock state and the current time will display if the time has been set, otherwise, the LED will display "**---**". And the lock icon will illuminate.

To unlock: In locked state, press "**Stop/Clear**" for 3 seconds, there will be a long "beep" denoting that the lock is released.

11. Inquiring Function

- 1) In cooking states of microwave, grill and combination. Press "**Micro./Grill/Combi.**" the current power will be displayed for 2-3 seconds.
- 2) During cooking state, press "**Clock/Kitchen Timer**" to check the current time. It will be displayed for 2-3 seconds.

Trouble shooting

| Normal | |
|--|---|
| Microwave oven interfering TV reception | Radio and TV reception may be interfered when microwave oven operating. It is similar to the interference of small electrical appliances, like mixer, vacuum cleaner, and electric fan. It is normal. |
| Dim oven light | In low power microwave cooking, oven light may become dim. It is normal. |
| Steam accumulating on door, hot air out of vents | In cooking, steam may come out of food. Most will get out from vents. But some may accumulate on cool place like oven door. It is normal. |
| Oven started accidentally with no food in. | It is forbidden to run the unit without any food inside. It is very dangerous , switch off Immediately. |

| Trouble | Possible Cause | Remedy |
|--|--|---|
| Oven can not be started. | (1) Power cord not plugged in tightly. | Unplug. Then plug again after 10 seconds. |
| | (2) Fuse blowing or circuit breaker works. | Replace fuse or reset circuit breaker (repaired by professional personnel of our company) |
| | (3) Trouble with outlet. | Test outlet with other electrical appliances. |
| Oven does not heat. | (4) Door not closed well. | Close door well. |
| Glass turntable makes noise when microwave oven operates | (5) Dirty roller rest and oven bottom. | Refer to "Maintenance of Microwave" to clean dirty parts. |



According to Waste of Electrical and Electronic Equipment (WEEE) directive, WEEE should be separately collected and treated. If at any time in future you need to dispose of this product please do NOT dispose of this product with household waste. Please send this product to WEEE collecting points where available.

THẬN TRỌNG TRƯỚC KHI SỬ DỤNG Lò VI SÓNG

(a) Không được vận hành lò vi sóng khi cửa lò đang mở vì có thể gây nguy hiểm đến tử vong vi sóng. Điều quan trọng là không nên thay đổi cơ cấu, cấu tạo của khoá an toàn của lò vi sóng.

(b) Không được đặt bất kì vật gì trước cửa lò vi sóng và cửa lò.

(c) **CẢNH BÁO:** Nếu cửa lò bị khoá hoặc bị hư hỏng vui lòng liên hệ với nhân viên kỹ thuật để tiến hành sửa chữa, thay thế.

Phụ Lục

Nếu thiết bị không được bảo dưỡng, bảo trì thường xuyên. Bề mặt thiết bị có thể bị hư hỏng, ảnh hưởng đến tuổi thọ của thiết bị. Và có thể dẫn đến tình huống nguy hiểm.

Thông Tin Kỹ Thuật

| | |
|-------------------------------|--------------------|
| Model: | MW927BG |
| Điện Áp | 230V~50Hz |
| Công suất Input (Microwave): | 1450W |
| Công suất Output (Microwave): | 900W |
| Công Suất Input (Nướng): | 1000W |
| Thể tích | 25L |
| Turntable | Ø315mm |
| Kích Thước (WxDxH): | 595 x 400 x 388 mm |
| Trọng Lượng | Xấp xỉ 18.6kg |

THÔNG TIN HƯỚNG DẪN CẢNH BÁO AN TOÀN QUAN TRỌNG CẢNH BÁO

Để hạn chế các nguy cơ xảy ra điện giật, hoả hoạn hay các nguy hiểm khác cho người sử dụng hoặc do tác động bên ngoài ảnh hưởng đến lò vi sóng, vui lòng đọc các cảnh báo an toàn bên dưới:

1. Cảnh báo: không được đun nóng chất lỏng hoặc thức ăn đựng trong hộp kín vì có thể bị nổ.
2. Cảnh báo: lò vi sóng nguy hiểm cho bất kỳ ai không có chuyên môn tiến hành sửa chữa hoặc bảo dưỡng mà phải tháo tấm đây ra vì tấm đây này dùng để bảo vệ chống rò năng lượng vi sóng.
3. Thiết bị được sử dụng bởi trẻ em có độ tuổi từ 8 tuổi trở lên. Đối với người bị hạn chế khi sử dụng thì cần được hướng dẫn. Chỉ cho phép trẻ em sử dụng lò khi có người lớn giám sát hoặc khi đã hướng dẫn đầy đủ để trẻ em sử dụng lò một cách an toàn và hiểu được những nguy hiểm do sử dụng sai.
4. Vệ sinh không nên được thực hiện bởi trẻ em, trẻ em cần phải lớn hơn 7 tuổi và được sự hướng dẫn.
5. Chỉ nên sử dụng những dụng cụ phù hợp với lò vi sóng theo chỉ định.
6. Lò vi sóng nên được vệ sinh thường xuyên và tất cả các thức ăn còn thừa lại bên trong khoang lò nên được loại bỏ.
7. Vui lòng đọc kỹ “ THÔNG TIN HƯỚNG DẪN CẢNH BÁO AN TOÀN QUAN TRỌNG”.
8. Khi đun nóng thức ăn đựng trong hộp nhựa hoặc giấy, cần chú ý theo dõi vì hộp có thể bị cháy.
9. Nếu thấy khói thì cắt điện hoặc rút phích cắm và giữ cửa ở trạng thái đóng để dập tắt lửa nếu có.
10. Không nên nấu thức ăn quá lâu.
11. Không nên sử dụng lò vi sóng làm khoang chứa. Không nên để

- các thức ăn như là bánh quy, bánh mì vào bên trong lò vi sóng.
12. Tháo bỏ các xoắn kim loại, tay nắm kim loại ở túi giấy hoặc túi nhựa trước khi để vào lò vi sóng.
13. Thực hiện lắp đặt lò vi sóng theo hướng dẫn lắp đặt được chỉ định.
14. Không nên đun trứng nguyên vỏ và trứng luộc nguyên quả trong lò vi sóng vì trứng có thể vỡ ngay cả khi đã ngừng đun bằng lò vi sóng.
15. Thiết bị phù hợp cho việc sử dụng ở nhà dân dụng và một số nơi phù hợp như là:
- Phòng ăn ở shops, văn phòng hoặc các môi trường công sở.
 - Ở khách sạn, nhà nghỉ, căn hộ cho thuê.
 - Nông trại
16. Nếu dây và phích cắm bị hư thì đừng vận hành lò. Nếu dây điện nguồn bị hỏng thì nó phải được nhà sản xuất hoặc nhân viên có trình độ chuyên môn thay thế để tránh nguy hiểm.
17. Không được lắp đặt và sử dụng thiết bị bên ngoài trời.
18. Không nên sử dụng lò vi sóng gần nguồn nước, nơi ẩm ướt hoặc gần hồ bơi.
19. Nhiệt độ trên bề mặt của lò vi sóng có thể cao khi đang hoạt động. Vui lòng để dây điện tránh xa ra khỏi bề mặt bị nóng. và không được bảo phủ lò khi đang vận hành.
20. Không nên vận hành khi lò trống.
21. Phải khuấy hoặc lắc thức ăn trong bình sữa và các bình thức ăn cho trẻ nhỏ và phải kiểm tra nhiệt độ trước khi dùng để tránh bị bỏng.
22. Vật dụng chứa thức ăn có thể nóng bởi vì nhiệt được truyền từ thức ăn đã gia nhiệt, cần phải có miếng lót tay khi lấy thức ăn ra khỏi lò.
23. Một số bộ phận có thể nóng trong khi sử dụng. Trẻ em nên tránh xa.

24. Không nên vệ sinh bằng hơi nước.
25. Trong khi sử dụng thiết bị có thể rất nóng. Nên thận trọng hạn chế chạm vào các bộ phận làm nóng bên trong lò vi sóng.
26. Đâm thủng thức ăn nào có lớp vỏ dày như khoai tây, bí đỏ, táo, hạt dẻ...v.v trước khi nấu.

HẠN CHẾ NGUY HIỂM

KẾT NỐI ĐẤT

NGUY HIỂM

Nguy hiểm điện giật khi chạm vào một số bộ phận bên trong có thể gây ra nguy hiểm. Vì vậy không nên tháo rời các thiết bị bên trong ra khỏi.

CẢNH BÁO

Nguy cơ bị điện giật

Sử dụng không đúng cách dây nối đất có thể gây giật điện. Không được cắm điện vào ổ cắm cho đến khi thiết bị được lắp đặt đúng cách. Thiết bị này cần được nối đất. Trong trường hợp bị sự cố điện, việc nối đất làm giảm nguy cơ bị điện giật bằng cách làm giảm thoát cho dòng điện. Thiết bị này được trang bị một dây có dây nối đất với phích cắm. Phích cắm phải được lắp với ổ cắm thích hợp với tiêu chuẩn và nối đất. Cần được sự hướng dẫn của nhân viên kỹ thuật hoặc nhân viên chăm sóc khách hàng để hiểu rõ vận hành. Nếu có nghi ngờ về nối đất không đúng cách hoặc kết nối dây vui lòng liên hệ trung tâm chăm sóc khách hàng.

VỆ SINH

Đảm bảo rằng phích cắm đã rút khỏi nguồn điện

1. Vệ sinh bên trong khoang chứa sau khi sử dụng bằng một miếng vải ướt mềm.

2. Làm sạch các phụ kiện đi kèm bằng nước xà phòng.
3. Khung cửa, kính và các bộ phận xung quanh phải được làm sạch cẩn thận bằng vải ẩm khi bẩn.
4. Không sử dụng các chất vệ sinh gây mài mòn hoặc chà mạnh bằng miếng kim loại trên tấm kính cửa lò vì có thể gây xước bề mặt, và có thể gây nên vỡ kính.
5. Mẹo làm sạch: Để dễ dàng làm sạch bên trong khoang lò.
Đặt một nửa trái chanh vào trong một cái chén, và đổ thêm khoảng 300ml nước và bật lò vi sóng chạy với công suất 100% trong vòng 10 phút. Lau sạch lò bằng vải mềm, khô.

Chất liệu có thể sử dụng ở lò vi sóng

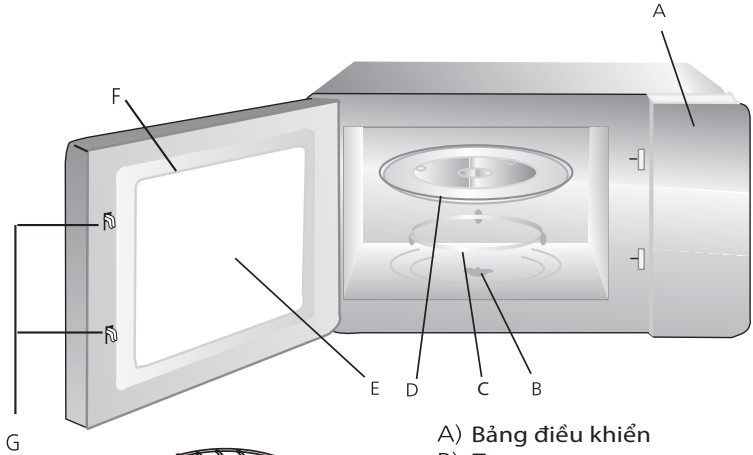
| Dụng cụ | Lưu ý |
|------------------------|--|
| Lá nhôm | Những miếng lá nhôm mỏng dùng để bọc thịt và thịt gia cầm để nhiệt độ đều trên bề mặt lớp thịt. Không nên để các miếng lá nhôm xúc với các tường khoang lò vi sóng. Các lá nhôm phải cách tường khoảng 1 inch (2,5 cm) |
| Đĩa nướng | Làm theo hướng dẫn của nhà sản xuất. Phía dưới đĩa nướng phải cách ít nhất là 5mm trên bàn xoay. Việc sử dụng không đúng cách có thể làm bàn xoay bị hỏng. |
| Bát đĩa | Sử dụng theo hướng dẫn. Không sử dụng các bát đĩa bị hỏng, nứt. |
| Lọ thủy tinh | Chỉ sử dụng để hâm nóng thức ăn. Các lọ thủy tinh hầu hết đều không thể chịu nhiệt và dễ vỡ. |
| Đĩa thủy tinh | Sử dụng các thủy tinh chịu nhiệt. Không nên sử dụng các đĩa thủy tinh bị nứt |
| Túi sử dụng lò vi sóng | Theo chỉ định của nhà sản xuất. Không nên để vào bên trong dây xoắn kim loại. |
| Đĩa giấy và ly giấy | Sử dụng nấu, hâm nóng trong thời gian ngắn. Nên kiểm tra thường xuyên trong khi nấu. |
| Giấy vệ sinh | Sử dụng để bao bọc thức ăn trước khi gia nhiệt và hút dầu mỡ. Nên kiểm tra thường xuyên và sử dụng trong thời gian ngắn |
| Giấy nến | Sử dụng bao bì bên ngoài thức ăn để hấp. |
| Nhựa | Nhựa nên sử dụng được cho lò vi sóng theo chỉ định của nhà sản xuất, và có nhãn dành cho lò vi sóng "Microwave Safe". |
| Miếng Nhựa | Sử dụng loại được cho lò vi sóng. Sử dụng để bao ngoài thức ăn có thể giữ độ ẩm. Không nên để miếng nhựa chạm vào thức ăn. |
| Nhiệt kế | Sử dụng loại dùng được cho lò vi sóng |
| Túi giấy nến | Sử dụng bao bì bên ngoài thức ăn để hấp. |

Chất liệu không thể sử dụng ở lò vi sóng

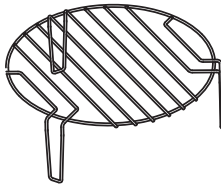
| Dụng cụ | Lưu ý |
|--|--|
| Khay nhôm | Có thể gây ra hồ quang điện, gây ra nguy hiểm |
| Khay đựng thức ăn với tay cầm kim loại | Có thể gây ra hồ quang điện, gây ra nguy hiểm |
| Kim loại | Có thể gây ra hồ quang điện, gây ra nguy hiểm |
| Sợi dây xoắn kim loại | Có thể gây ra hồ quang điện, gây ra nguy hiểm |
| Túi giấy | Có thể gây ra cháy |
| Mút xốp | Mút xốp có thể tan chảy với nhiệt độ bên trong lò cao. |
| Gỗ | Gỗ sẽ bị sấy khô khi sử dụng trong lò vi sóng. Có thể gây ra nguy hiểm |

THÔNG TIN VỀ LÒ VI SÓNG

TÊN MỘT SỐ BỘ PHẬN LÒ VI SÓNG

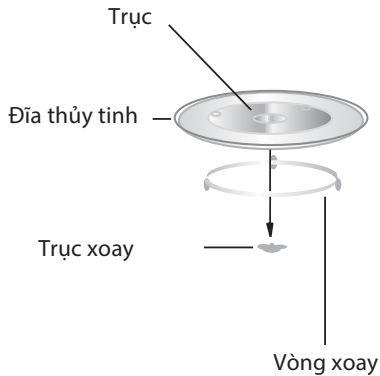


- A) Bảng điều khiển
- B) Trục xoay
- C) Vòng xoay
- D) Đĩa thủy tinh
- E) Cửa sổ lò
- F) Khung cửa lò
- G) Chốt cửa lò



Vi nướng

LẮP ĐẶT ĐĨA XOAY



LẮP ĐẶT VÀ KẾT NỐI

1. Thiết bị được sử dụng lắp đặt âm tủ.
2. Vui lòng lắp đặt theo hướng dẫn sử dụng.
3. Thiết bị cần được lắp đặt modul tủ âm 60cm (chiều sâu tối thiểu là 55cm và 85cm từ sàn trở lên).
4. Thiết bị cần phải được nối đất.
5. Phích cắm của lò vi sóng nên theo chuẩn của địa phương. Đảm bảo như điện áp và tần số giống như điện áp và tần số trên tem nhãn được ghi.

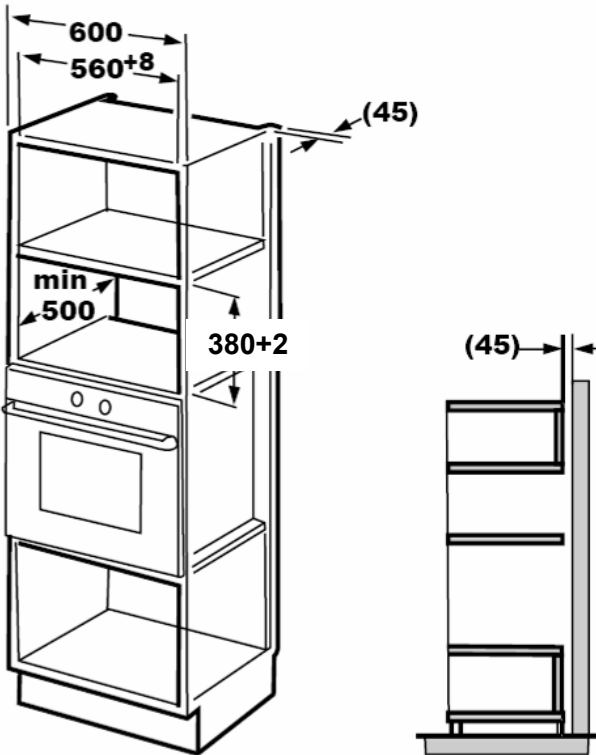
CẢNH BÁO: Không được lắp đặt và để lò trên dàn bếp hoặc trên các thiết bị gây ra nhiệt khác. Nếu lắp đặt gần hoặc trên một nguồn nhiệt, lò có thể bị hư hỏng và nhà sản xuất sẽ không chịu trách nhiệm bảo hành.

Bề mặt thiết bị
có thể nóng
trong quá trình
sử dụng.



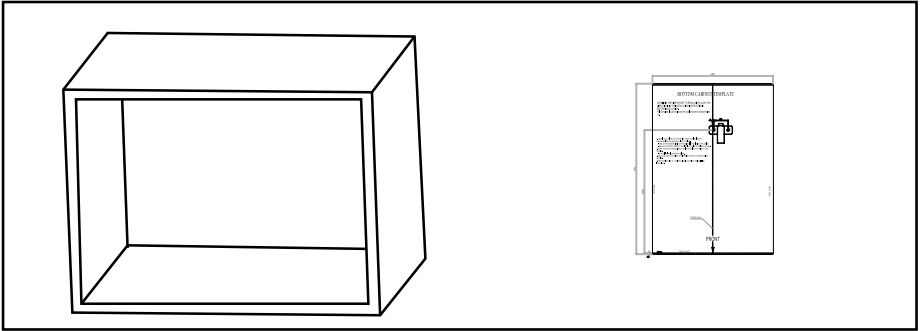
LẮP ĐẶT LÒ VI SÓNG

A. TỦ BẾP

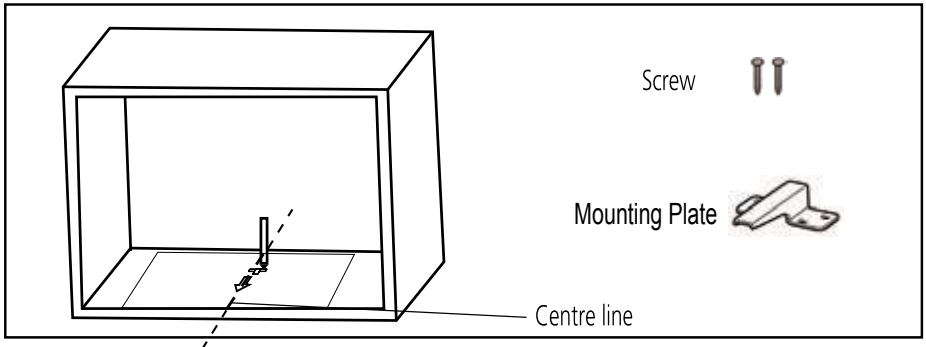


B. CHUẨN BỊ TRƯỚC KHI LẮP ĐẶT TỦ BẾP

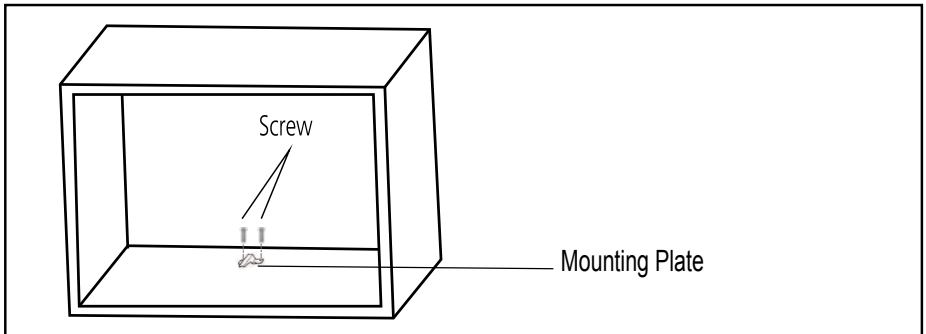
1. Đọc hướng dẫn lắp đặt trên rập của lò vi sóng, đặt rập lên trên mặt đáy của tủ bếp



2. Đánh dấu vị trí trên mặt đáy của tủ bếp.

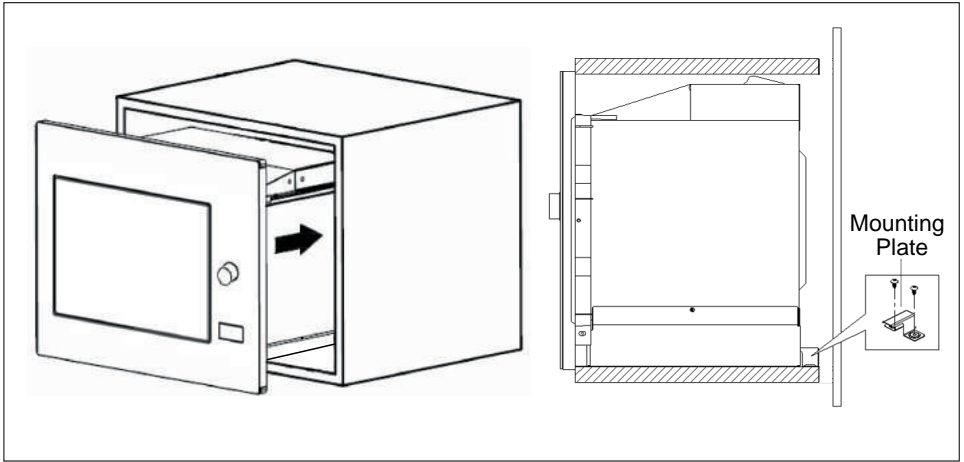


3. Lắp giá giữ vào vị trí đã được đánh dấu và lắp ốc vào.

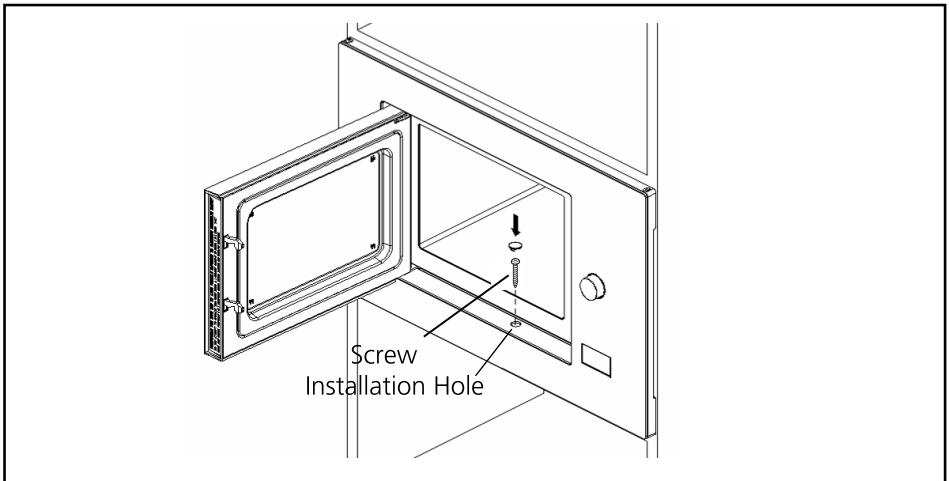


C. LẮP Lò VI SÓNG VÀO Tủ BẾP



4. Lắp lò vi sóng vào tủ bếp

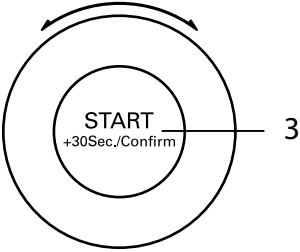




5. Mở cửa lò nướng, lắp ốc cố định ở cửa lò vi sóng.



BẢNG ĐIỀU KHIỂN

- Micro./Grill/Combi.  1) Nút điều chỉnh Vi sóng/Nướng/Kết hợp
2) Nút điều chỉnh trọng lượng/ thời gian
- Weight/Time Defrost  2) 3) Nút Bắt Đầu/+30s/ Xác nhận
4) Nút hẹn giờ
5) Nút Dừng/ Xóa





- Kitchen Timer/Clock  4
- STOP /Clear  5

HƯỚNG DẪN SỬ DỤNG



1. CÀI ĐẶT GIỜ ĐỊA PHƯƠNG

Khi bấm phích cắm lần đầu màn hình hiển thị "00:00". Trong khi nấu bạn vẫn có thể ấn KITCHEN TIMER/CLOCK để xem giờ.

- 1) Nhấn nút "Kitchen Timer/Clock" 2 lần, phần hiển thị giờ sáng nhấp nháy.
- 2) Xoay  để cài đặt thời gian giờ, thời gian có thể cài đặt từ 0--23 giờ.
- 3) Nhấn nút "Kitchen Timer/Clock", phần hiển thị phút sáng nhấp nháy.
- 4) Xoay  để cài đặt thời gian phút, thời gian có thể cài đặt từ 0--59 phút.
- 5) Nhấn nút "Kitchen Timer/Clock" để xác nhận thời gian, màn hình sẽ hiển thị "∞".

Lưu ý: - Nếu thời gian chưa được cài đặt, màn hình sẽ hiển thị 0:00 ở chế độ chờ.
- Trong quá trình cài đặt thời gian, nếu nhấn nút "Stop/Clear", lò vi sóng sẽ tự động quay trở về trạng thái ban đầu.


2. CHỨC NĂNG VI SÓNG


- 1) Nhấn nút "Micro./Grill/Combi.", phần hiển thị "P100" sáng.
- 2) Nhấn nút "Micro./Grill/Combi.", hoặc xoay  để cài đặt công suất của lò vi sóng từ 100% đến 10%. Màn hình sẽ hiển thị "P100", "P80", "P50", "P30" và "P10".
- 3) Nhấn nút "Start/+30Sec./Confirm", để xác nhận chương trình.
- 4) Nhấn xoay  để cài đặt thời gian nấu.
- 5) Nhấn nút "Start/+30Sec./Confirm" để bắt đầu chương trình nấu.

Lưu ý:

| CÔNG SUẤT | 100% | 80% | 50% | 30% | 10% |
|-----------|------|-----|-----|-----|-----|
| HIỂN THỊ | P100 | P80 | P50 | P30 | P10 |


3. CHỨC NĂNG NƯỚNG HOẶC KẾT HỢP

Nhấn nút "Micro./Grill/Combi" màn hình sẽ hiển thị "P100", và nhấn nút "Micro./Grill/Combi" hoặc xoay  để chọn công suất bạn muốn, và màn hình sẽ hiển thị "G", "C-1" hoặc "C-2".

Nhấn phím "Start/+30Sec./Confirm" để xác nhận, và xoay  để cài đặt thời gian 0:05 đến 95:00.

Nhấn nút "Start/+30Sec./Confirm" để bắt đầu chương trình nấu.


Ví dụ: Nếu bạn muốn sử dụng vi sóng 55% và 45% nướng (C-1) trong vòng 10 phút, vui lòng thực hiện theo các bước sau:

- 1) Nhấn nút "Micro./Grill/Combi", phần hiển thị "P100" sáng.
- 2) Nhấn nút "Micro./Grill/Combi", màn hình hiển thị "C-1".
- 3) Nhấn nút "Start/+30Sec./Confirm", để xác nhận chương trình.
- 4) Xoay " " để cài đặt thời gian nấu cho đến khi màn hình hiển thị "10:00".
- 5) Nhấn nút "Start/+30Sec./Confirm" để bắt đầu chương trình nấu.


BẢNG CÔNG SUẤT KẾT HỢP

| Chương Trình | Hiển Thị | Công Suất Lò Vi Sóng | Công Suất Nướng |
|--------------|----------|----------------------|-----------------|
| Nướng | G | 0% | 100% |
| Kết hợp 1 | C-1 | 55% | 45% |
| Kết hợp 2 | C-2 | 36% | 64% |

4. RÃ ĐỒNG THEO TRỌNG LƯỢNG



- 1) Nhấn nút " Weight/Time Defrost ", màn hình hiển thị "dEF1".
- 2) Xoay " " để cài đặt trọng lượng. Trọng lượng khoảng 100-2000g.
- 3) Nhấn nút "Start/+30Sec./Confirm" , để xác nhận chương trình rã đông.

5. RÃ ĐỒNG THEO THỜI GIAN


- 1) Nhấn nút " Weight/Time Defrost ", màn hình hiển thị "dEF2".
- 2) Xoay " " để cài đặt thời gian. thời gian tối đa là 95 phút.
- 3) Nhấn nút "Start/+30Sec./Confirm", để xác nhận chương trình rã đông.

6. CHỨC NĂNG KẾT HỢP NHIỀU CHỨC NĂNG

Ví dụ: Giả định bạn muốn rã đông trong vòng 5 phút, sau đó nấu với công suất 80% trong vòng 7 phút.

- 1) Nhấn nút " Weight/Time Defrost ", màn hình hiển thị "dEF2".
- 2) Xoay " " để cài đặt thời gian rã đông là 5 phút.
- 3) Nhấn nút "Micro./Grill/Combi", màn hình hiển thị "P100".
- 4) Xoay " " để cài đặt công suất vi sóng "P80".


5) Nhấn nút "Start/+30Sec./Confirm" để xác nhận, màn hình hiển thị "P80"

6) Xoay " " để cài đặt thời gian nấu trong vòng 7 phút

7) Nhấn nút "Start/+30Sec./Confirm" để xác nhận chương trình.

7. CHỨC NĂNG HẸN GIỜ


1) Nhấn nút "Kitchen Timer/Clock", màn hình hiển thị "00:00"

2) Xoay " " để cài đặt thời gian. (Thời gian nấu tối đa là 95 phút).


3) Nhấn nút "Start/+30Sec./Confirm", để xác nhận. Màn hình hiển thị thời gian.

4) Khi thời gian hẹn giờ kết thúc, màn hình thời gian sẽ tắt. Chuông báo hiệu 5 lần.

8. CHỨC NĂNG TỰ ĐỘNG

1) Xoay " ", để chọn chức năng tự động "A-1" ... "A-8"

1) Nhấn nút "Start/+30Sec./Confirm", để xác nhận chức năng

2) Xoay " " để chọn trọng lượng thức ăn.

3) Nhấn nút "Start/+30Sec./Confirm", để xác nhận.

4) Khi thời gian hẹn giờ kết thúc, màn hình thời gian sẽ tắt. Chuông báo hiệu 5 lần.


| Thức Ăn | Trọng Lượng | Hiển Thị |
|------------------|---------------------------|----------|
| A-1 Pizza | 200 g | 200 |
| | 400 g | 400 |
| A-2 Thịt | 250 g | 250 |
| | 350 g | 350 |
| | 450 g | 450 |
| A-3 Rau | 200 g | 200 |
| | 300 g | 300 |
| | 400 g | 400 |
| A-4 Mỳ ý | 50g (Với 450g nước lạnh) | 50 |
| | 100g (Với 800g nước lạnh) | 100 |
| A-5 Khoai tây | 200 g | 200 |
| | 400 g | 400 |
| | 600 g | 600 |

| | | |
|--------------------|---------------|-----|
| A-6 Cá | 250 g | 250 |
| | 350 g | 350 |
| | 450 g | 450 |
| A-7 Thức uống | 1 ly (120 ml) | 1 |
| | 2 ly (240 ml) | 2 |
| | 3 ly (360 ml) | 3 |
| A-8 Bắp rang bơ | 50 g | 50 |
| | 100 g | 100 |


9. CHỨC NĂNG NẤU NHANH

1) Ở chế độ chờ, nhấn nút "Start/+30Sec./Confirm" để chọn chức năng hoạt động với mức công suất cao nhất trong vòng 30 giây. Mỗi lần nhấn tương ứng thì sẽ tăng lên 30 giây. Thời gian tối đa để hoạt động chức năng là 95 phút.

2) Trong các chương trình nấu đã cài đặt, nhấn nút "Start/+30Sec./Confirm" để tăng thời gian nấu.

3) Ở chế độ chờ, xoay  "để cài thời gian hoạt động với mức công suất cao nhất 100%. Nhấn "Start/+30Sec./Confirm" để bắt đầu chương trình.

10. CHỨC NĂNG KHÓA TRẺ EM

Khóa : Ở chế độ chờ, nhấn nút "Stop/Clear" trong vòng 3 giây, thiết bị sẽ được khóa và màn hình sẽ hiển thị . Biểu tượng khóa sẽ sáng.

Mở khóa: ở chế độ khóa, nhấn nút " Stop/Clear" trong vòng 3 giây, sẽ nghe một âm thanh và thiết bị đã được mở khóa.

XỬ LÝ SỰ CỐ

| Bình Thường | |
|--|--|
| Lò vi sóng bị ảnh hưởng của sóng tivi. | Radio và sóng vô tuyến tivi có thể ảnh hưởng khi hoạt động của lò vi sóng. Điều đó cũng giống như khi các thiết bị điện tử nhỏ bị ảnh hưởng từ sóng vô tuyến, như là máy xay bột, máy hút bụi, quạt điện tử. Điều đó là bình thường. |
| Đèn lò vi sóng mờ đi | Khi lò vi sóng ở chế độ công suất thấp, đèn lò vi sóng có thể mờ đi. Điều đó là bình thường. |
| Sự tích tụ hơi trên cửa, không khí nóng thoát ra ngoài lỗ thông hơi. | Trong khi nấu ăn, hơi nước có thể bốc hơi từ thức ăn. Hầu hết hơi nước thoát ra khỏi từ lỗ thông hơi. Nhưng một số có thể tích tụ ở cửa lò vi sóng. Điều đó là bình thường. |
| Lò vi sóng sẽ rất nguy hiểm nếu không có thức ăn bên trong lò. | Nghiêm cấm lò vi sóng hoạt động mà không có thức ăn bên trong lò. Rất là nguy hiểm. |

| Sự Cố | Giải Quyết Vấn Đề | Cách giải quyết |
|---|---|---|
| Lò vi sóng không hoạt động. | (1) Dây nguồn không được cắm chặt | Tháo dây cung cấp điện, và cắm lại sau 10 giây. |
| | (2) Cầu chì bị đứt hoặc bo nguồn bị hư không thể hoạt động. | Thay cầu chì hoặc sửa lại bo nguồn được thực hiện bởi nhân viên kỹ thuật. |
| | (3) Rắc rối với lỗ thoát hơi | Kiểm tra lỗ thoát hơi. |
| Lò vi sóng không nóng | (4) Cửa lò không đóng chặt | Đóng cửa chặt. |
| Đĩa thủy tinh phát ra tiếng ồn khi đang hoạt động | (5) Trục của đĩa thủy tinh bị dơ. | Xem phần vệ sinh để vệ sinh thiết bị |



Theo xử lý chất thải của thiết bị điện, điện tử (WEEE)
Vui lòng không vứt bỏ sản phẩm cùng với chất thải gia đình. Vui lòng đem gởi sản phẩm này đến các địa điểm thu thập (Nếu có).



PN:16170000A64014

MALLOCA VIETNAM COMPANY LIMITED

Showroom:

279 Nguyen Van Troi Street, Ward 10, Phu Nhuan District, HCM City

Tel: (84) 28 39975 893 / 94

Fax: (84) 28 38447 102

Email: info@malloca.com

Customer Care:

Hotline: 1800 12 12

Email: chamsockh@malloca.com

CÔNG TY TNHH MALLOCA VIỆT NAM

Showroom:

279 Đường Nguyễn Văn Trỗi, Phường 10, Quận Phú Nhuận, TP.HCM

Điện Thoại: (84) 28 39975 893 / 94

Fax: (84) 28 38447 102

Email: info@malloca.com

Hệ thống chăm sóc khách hàng:

Hotline: 1800 12 12

Email: chamsockh@malloca.com

Trung tâm chính

279 Đường Nguyễn Văn Trỗi, Phường 10, Quận Phú Nhuận, TP.HCM

SĐT: (028) 39975 893 / 94 – (028) 39975 294 / 95

Khu vực Bà Rịa Vũng Tàu

258-260A Lê Hồng Phong, Phường 4, TP. Vũng Tàu

SĐT: (0254) 385 94 99

Khu vực Tây Nguyên

331 Phan Đình Phùng, Phường 2, TP. Đà Lạt

SĐT: (0263) 3521 107 – 0918226362

Khu vực Nam Trung Bộ

08 Lê Hồng Phong, Phường Phước Hải, TP. Nha Trang

SĐT: (0258) 3875 488

Khu vực Miền Tây

180 Trần Hưng Đạo, Phường An Nghiệp, Quận Ninh Kiều, TP. Cần Thơ

SĐT: (0292) 373 2035

Khu vực Miền Trung

211 Nguyễn Văn Linh, Phường Vĩnh Trung, Quận Thanh Khê, TP. Đà Nẵng

SĐT: (0236) 369 1906

Khu vực Miền Bắc

154 Thái Hà, Phường Trung Liệt, Quận Đống Đa, Hà Nội

SĐT: (024) 35376 288 – 093 462 92 98