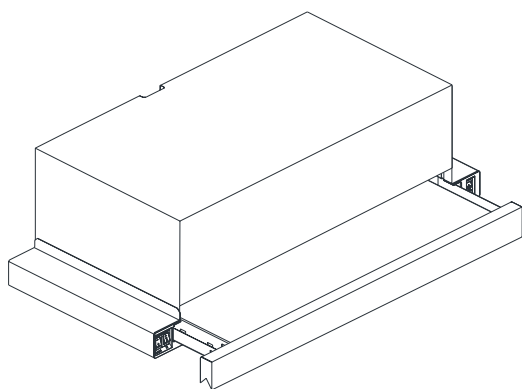


Assembly instructions

Hướng dẫn lắp đặt

**BUILT-IN HOOD
USERS MANUAL**

**MÁY HÚT KHÓI - KHỬ MÙI ÂM TỬ
HƯỚNG DẪN SỬ DỤNG**



K1506 TC

K1507 TC

K1509 TC

Read this manual prior to performing any task!

Đọc hướng dẫn này trước khi thực hiện các thao tác!

MALLOCA VIETNAM COMPANY LIMITED

Showroom: 279 nguyen Van Troi St. Ward 10, Phu Nhuan Dist, HCM
City

Telephone: (+84) 28 39975 893 / 94 - (+84) 28 39975 294 / 95

Fax: (+84) 28 38447 102 - (+84) 28 38447 633

E-mail: info@malloca.com

17.11.2017, 1, en_US

Table of contents

1	INPUT	4
2	TECHNICAL DRAWING	5
3	WARNING AND SAFETY PRECAUTIONS	7
	3.1 LETHAL RISK, DANGER OF POISONING.....	9
4	USAGE WITH AND WITHOUT CARBON FILTER	13
5	AF 100 Carbon Filter Replacement	14
6	CLEANING AND PREVENTIVE MAINTENANCE	15
	6.1 Washing in Dishwasher.....	15
	6.2 ALUMINIUM FILTER CLEANING.....	16
	6.3 Hand Wash.....	16
7	APPLIANCE POSITION	17
	7.1 Installation and Unpacking of the Appliance.....	17
	7.2 Recommendations for Energy Saving.....	17
8	CONTENT OF PACKAGE	19
9	OVERVIEW OF COOKER HOOD	20
10	ASSEMBLY OF PRODUCT	21
	10.1 Assembly Pattern.....	21
11	USE OF PRODUCT	23
	11.1 3 Spd Digital Product Use.....	23
12	REPLACING THE LAMPS	24
	12.1 LED Lamp Replacement.....	24
13	AUTHORIZED SERVICE	25
14	TECHNICAL TABLE	27

1 INPUT

This guideline and the safety data includes all necessary information for a safe mounting as well as a safe use without defects.

- Please read all of this guideline and safety data before using the device.
- Keep the guideline in an appropriate place.
- If you pass the device onto others, make sure you also give this guideline and safety data.
- Disregarding this guideline may result in severe injuries and defects in the device.
- Please keep in mind that we won't be responsible for the defects arising from not taking this guideline into account.

The figures in this guideline aim to visually describe the actions. In these figures only one model of the device is illustrated. However, all instructions or figures also represent other models.

2 TECHNICAL DRAWING

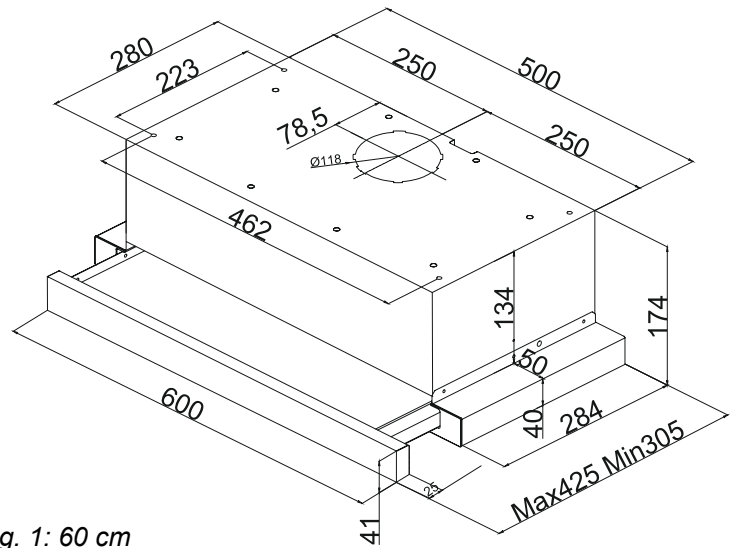


Fig. 1: 60 cm

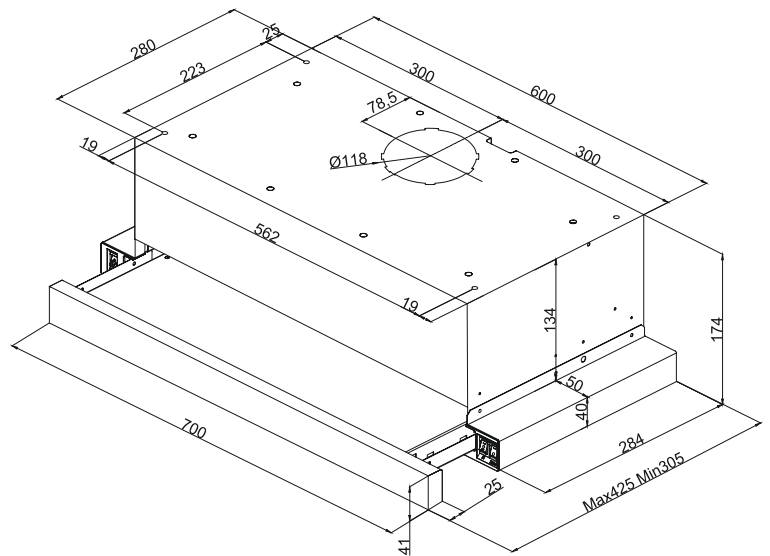


Fig. 2: 1151 70

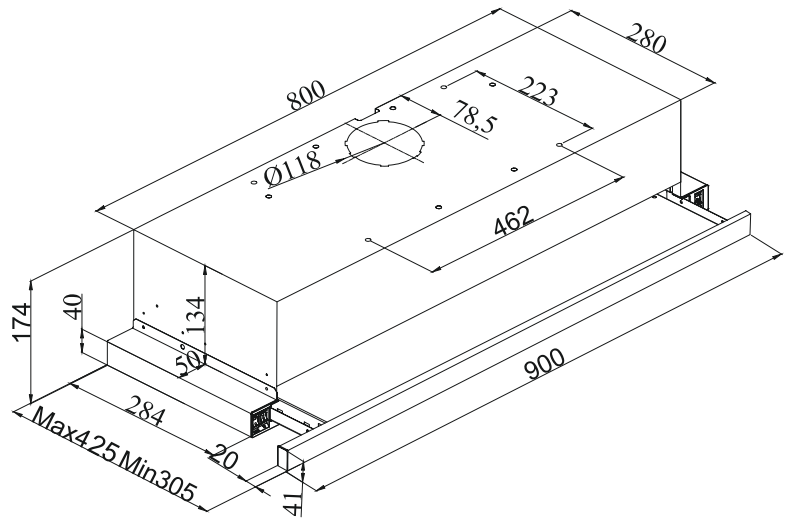


Fig. 3: 1151 90

3 WARNING AND SAFETY PRECAUTIONS

WARNING AND SAFETY PRECAUTIONS

- This appliance can be used by children of 8 years and older, people with physical, sensory or mental capability deficiency or people with lack of experience or knowledge; as long as they are provided supervision or instructions for the safe use of the appliance and they comprehend the dangers.
- Children should not tamper with the appliance. Cleaning and user maintenance operations must not be performed by children unless supervised.
- This product is designed for home use.
- Usage voltage of your product is 220-240 Volt~50-60 Hz.
- Power cord of your product is fitted with a grounded plug. This cord must be plugged into a grounded outlet.
- The whole electrical wiring must be installed by a qualified electrician.
- Installation by unauthorized persons could lead to poor operation performance, damage to the product, and accidents.
- Feeder cable of the appliance mustn't be exposed to jamming or crashing during assembly. Feeder cable mustn't be placed near the cooker. In such cases, it might melt down and lead to fire.
- Do not plug in the appliance before the installation.
- Make sure that the installation place allows the user to easily unplug the power cable in case of any danger.
- Do not touch your product's lamps when they work for a long time. The lamps may burn your hand as they will be hot.
- Kitchen hoods are manufactured for household use in normal home cooking. There is a risk of malfunction in other types of use, and the product guarantee will be void.
- Comply with the rules and instructions regarding discharge of outgoing air, stipulated by the relevant authorities. (This warning does not apply to uses without flue.)
- Flammable foods must not be cooked under the appliance.
- Start your product after you place pot, pan etc. on the stoves. Otherwise, high temperature may cause some parts of your products to deform.
- Turn off the cooker's burner before taking the saucepan, pan, etc. off the cooker.
- Do not leave boiling oil on the stove. Pots that contain boiling oil may catch fire by itself.
- Since oils could catch fire when you cook fried foods in particular, be careful about your curtains and tablecloths.
- Ensure timely replacement of the filters. Filters not replaced in a timely manner pose risk of fire due to accumulated grease deposits on them.
- Do not use non-fire-resistant filtering materials instead of the filter.
- Do not operate your product without filter, and do not remove the filters when the product is in operation.
- In case of any fire, de-energize the hood and any other cooking devices. (Plug off the appliance or turn off the main switch.)

WARNING AND SAFETY PRECAUTIONS

- If your product's periodic cleaning is not made in a timely manner, it could pose risk of fire.
- De-energize the appliance before any maintenance operations. (Plug off the appliance or turn off the main switch.)
- When electric cooker hood and devices fed with energies other than electricity operate simultaneously, the negative pressure in the room must not exceed 4 Pa (4 X 10 bar).
- Gas or fuel oil burning appliances, such as room heaters, which share the same environment with your product, must be fully insulated from the exhaust of this product or they must be hermetical.
- When you make a flue connection for your product, use pipes with a diameter of 150mm or 120 mm. The length of the duct connection as well as the number of elbows must be as minimum as possible.
- Children must not play with the appliance.
- For your safety, use "MAX 6 A" fuse in the hood system.
- Since the packing materials could be dangerous, keep them away from children.
- If the feeder cable is damaged, it must be replaced by its manufacturer or its authorized technical service or any other personnel qualified at the same level, in order to avoid any dangerous situation.
- In case of any deflagration, de-energize the cooker hood and cooking appliances, and cover the flame. Never use water to extinguish the fire.
- When cooking appliances are in operation, their accessible parts could be hot.
- This appliance is not intended to be used by people with physical, sensory and mental disabilities (including children) or those who have not adequate experience and knowledge regarding its use, unless they are under the supervision of a person responsible for the safety of the appliance.
- After the installation of the hood, the minimum distance must be 65 cm between the product and any electric cooker; and 75 cm between it and any gas ranges or cookers burning other fuels.
- Output of the hood must not be connected to air ducts, where there exist another smokes.
- You must be careful when using the appliance spontaneously with other appliances (e.g. gas, diesel fuels, coal, wood, etc. burning heaters, shower heaters), which use the same air in the same environment. Attention must be paid when using them simultaneously. It is because the hood could adversely affect the combustion, by discharging the ambient air.
- This warning does not apply to uses without flue.
- When electric cooker hood is used simultaneously with devices that use gas or other fuels, there must be sufficient ventilation in the room (might not apply to devices that discharges the air back into the room).

3.1 LETHAL RISK, DANGER OF POISONING



DANGER!

Warning - Choking Hazard

The packaging materials are dangerous for children. Never allow children to play with packaging materials.



DANGER!

Warning - Death Hazard

There are life-threatening danger and poisoning danger due to reabsorbed combustion gases. During the air discharge outlet use, unless sufficient air supply is provided, do not use the appliance simultaneously with devices that discharge toxic gases through flue such as ventilated, gas, oil, wood or coal burning heaters, shower heaters, water heaters, etc. Fig. 4

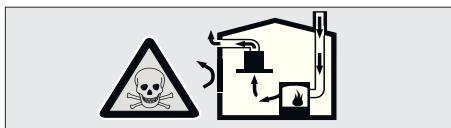


Fig. 4: Poisoning Danger

Ventilated goods (e.g. gas, oil, wood or coal burning heaters, shower heaters, water heaters) take combustion air from the installation location, and discharge the waste gas through a waste gas system (e.g. flue). When the cooker hood is active, it absorbs air from the kitchen and neighbouring rooms. If adequate air entry is not provided, vacuum emerges. In such a case, the toxic gases are absorbed from the flue and waste gas channel, and are taken into to door again. Fig. 4

■ Therefore, adequate fresh air ingress must always be ensured. Fig. 5

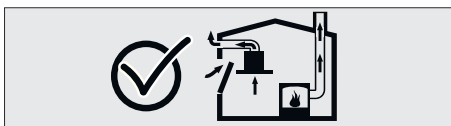


Fig. 5

WARNING AND SAFETY PRECAUTIONS

LETHAL RISK, DANGER OF POISONING



WARNING!

Fire danger!

- The oil residue in the oil filter may catch fire. **Clean the oil filter at least once every 3 months.** Never operate the device without the oil filter.
- The oil residue in the oil filter may catch fire. Never work with open flame (ex. flambe) near the device. The apparatus is allowed to be installed near a solid fuel (e.g. wood or coal) heater only if it has a non-removable cover. No sparks should be scattered.
- Hot oils and fats catch fire easily. Hot oils and fats should never be left unattended. Never try to put out the fire with water. Turn off the cooker. Kill the flames carefully using a cover, fire blanket or a similar material.
- Gas operated cookers that do not have a cooking pot on create high heat during operation. A ventilation device placed over the cookers can be damaged or burned for this reason. Operate gas cookers only when there is a cooking pot on them.
- Operating multiple gas cookers simultaneously creates high heat. A ventilation device placed over the cookers can be damaged or burned for this reason. Never operate two gas cookers longer than 15 minutes on high flame setting. A large burner over 5kW (Wok) has the power of two gas burners.



WARNING!

Electrocution hazard!

- A malfunctioning device may cause electric shock. Never turn on a malfunctioning device. Pull the power plug and switch off the circuit breaker. Call customer service.
- Unsuitable repairs pose hazards. Repairs and replacement of damaged power cords must be performed only by a customer services technician trained by us. If the device is malfunctioning pull the power plug and switch off the circuit breaker. Call customer service.
- Water leaking into the device may cause electric shock. High pressure or steam cleaners must not be used.

WARNING AND SAFETY PRECAUTIONS

LETHAL RISK, DANGER OF POISONING



DANGER!

Danger of physical injury!

- During the installation, there is a danger of physical injury due to the sharp edges. Use protective gloves throughout the installation process of the appliance.
- Due to risk of dropping the appliance, assembly of all safety bolts and covers must be performed as specified in the user manual.
- Objects placed on the appliance may fall over. Do not place any objects on the device.
- LED lights are very bright and may damage eyes (Risk group 1). You must not look directly at running LED lights for longer than 100 seconds.



WARNING!

Risk of burn, risk of electric shock!

- Allow the appliance to cool before cleaning or maintenance process. Switch off the fuse or pull out the mains plug from the socket.
- There is risk of damage due to ingress of moisture in the electronics. Do not clean the control components with a wet cloth.
- The surface could be damaged due to a wrong cleaning process. Clean stainless steel surfaces only in their brushing direction. Do not use a stainless steel cleaner for the control elements.
- The surface could be damaged due to aggressive and abrasive cleaning agents. Never use aggressive and abrasive cleaning agents.



WARNING!

Dangers of fire and physical injury!

In case of repairing that is not performed according to the rules or as required, turn off the fuse or unplug the feeder cable of your appliance. Repairing must be performed only by the authorized technical service or authorized experts.



NOTICE!

If the appliance is faulty or damages, turn off the fuse or unplug the feeder cable of your appliance and call the authorized service.

WARNING AND SAFETY PRECAUTIONS

LETHAL RISK, DANGER OF POISONING



NOTICE!

If the feeder cable is damaged, it must be replaced by its manufacturer or its authorized technical service or any other personnel qualified at the same level, in order to avoid any dangerous situation.



NOTICE!

When the bulbs of the device malfunction, switch off the circuit breaker and unplug the device's power plug from the socket. Replace the defective bulbs immediately (leave bulbs to cool down first), in order to protect the remaining bulbs against overloading.



CAUTION!

Accessible components might be heated when used with cooking devices.



DANGER!

Air outlet pipe of this appliance mustn't be connected in the flue used to discharge the fume generated by devices that use gas or other fuels.

Damage reasons



CAUTION!

Damage hazard due to corrosion. Always run the appliance to prevent condensate formation while cooking. Condensates may cause corrosion damage. Replace the malfunctioning lamp right away to prevent overloading of other lamps. Moisture intrusion in electronic parts poses a risk of damage. Never clean the control elements with a wet cloth. The surface could be damaged due to a wrong cleaning process. Clean stainless steel surfaces only in their brushing direction. Do not use a stainless steel cleaner for the control elements. The surface could be damaged due to aggressive and abrasive cleaning agents. Never use aggressive and abrasive cleaning agents. There is a risk of damage due to condensate liquid backflow. Install the air exit canal with a small downward inclination (1° inclination) from the appliance.

4 USAGE WITH AND WITHOUT CARBON FILTER



You can use this appliance in exhaust air mode and ventilated air mode.

Exhaust air mode

The absorbed air is cleaned by the grease filters, and is discharged through a piping system. Fig. 6

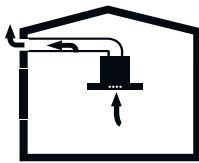


Fig. 6: Air Outlet without Carbon Filter



NOTICE!

Exhaust air must not be transferred to an active smoke or waste gas flue; or a flue used for ventilation of the places, where heat sources are installed.

- If you want to transfer exhaust air to an inactive smoke or waste gas flue, you need to obtain permission from an authorized chimney sweep.
- If exhaust air is discharged through the external wall, a telescopic wall safe must be used.

Ventilated air mode



Absorbed air is cleaned by the grease filters and an active carbon filter, and then it is transferred back to the kitchen. Fig. 7



Fig. 7: Air Circulation with Carbon Filter



You need to install an active carbon filter, in order to catch the substances, which cause stink in the circulating air. Consult your authorized dealer to know the different opportunities available for enabling the appliance to function in circulating air mode. You can buy the accessories required for this process from the relevant outlets, authorized technical service or online sales center.

5 AF 100 Carbon Filter Replacement

AF 100 CARBON FILTER

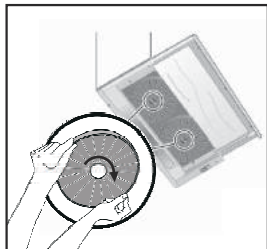


Fig. 8: AF 100 CARBON FILTER

The appliance you have purchased is appropriate for use with AF 100 carbon filters.

- 1-Place the carbon filter in its housing (Fig. 8).
- 2-Rotating the carbon filter clockwise, ensure that it is completely fit (Fig. 8).



If carbon filter does not fit in completely, it might drop and damage your product.



DANGER!

Never wash the carbon filters.

Keep carbon filters away from children.

6 CLEANING AND PREVENTIVE MAINTENANCE

**CAUTION!**

Cleaning and user maintenance of the appliance shall not be performed by unattended children.

- The surface could be damaged due to aggressive and abrasive cleaning agents. Never use aggressive and abrasive cleaning agents. Supply your cleaning and protective substances that are appropriate for your appliance from the authorized technical service. Surface of appliance and control units are sensitive to scratching.
- Clean the surfaces with a soft and damp cloth, dish-washing liquid or mild glass cleaning agent. Soften the dry, sticky dirt with a damp cloth. Do not scrape!
- It is not appropriate to use dry cloths, sponges that may scratch, materials that require rubbing, and other aggressive cleaning agents containing sand, soda, acid or chlorine.
- Clean the stainless steel surfaces in their brushing direction only.
- Do not use stainless steel cleaning agents and wet clothes for control units. Cleaning of metal grease filters Used metal grease filters retain the greasy particles in the moisture and vapour generated in the kitchen. Clean the metal grease filters about every three months, under normal use conditions (1 to 2 hours a day).
- Do not use excessively effective, acidic or alkaline cleaning agents.
- For cleaning the metal grease filters, clean the holder parts of the metal grease filters in the appliance, with a damp cloth as well.
- You can clean the metal grease filters in the dishwasher or by hand.
- Do not apply spray cleaning supplies directly to the product.
- Do not keep flammable and/or heavy decorative items on the product.

6.1 Washing in Dishwasher

In case of washing in dishwasher, a slight change might occur in colour. This has no effect on the function of the metal grease filter.

- Do not clean too dirty metal grease filters together with utensils in the dishwasher.
- Place the metal grease filters loosely and freely in the dishwasher. Metal grease filters must be placed in the dishwasher without jamming.

CLEANING AND PREVENTIVE MAINTENANCE

Hand Wash

6.2 ALUMINIUM FILTER CLEANING

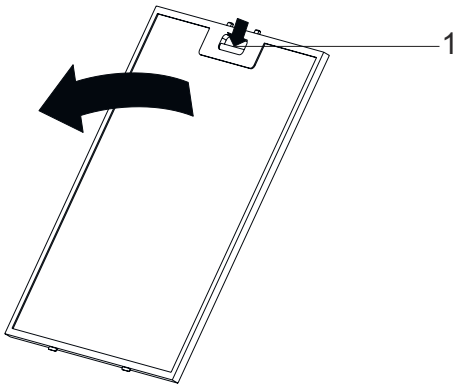


Fig. 9

1 Aluminium Filter Tab



Clean the aluminium oil filters periodically every 3 months.

- Press the aluminium filter tab (1) and pull the aluminium filter to the direction of the arrow (Fig. 9).
- As you remove the aluminium filter, hold it with your other hand to prevent it from dropping.
- As you remove the aluminium filter, in order to prevent the accumulated oil to drip, keep the filter surface parallel to the floor.

6.3 Hand Wash



For stubborn dirt, you can use a special grease solvent. You can buy such an agent from the authorized sales centre.

- *Soften the metal grease filters in a hot water with dish-washing liquid.*
- *Use a brush for cleaning and wait for the liquid in metal grease filters to flow off completely.*
- *Rinse the filters thoroughly after cleaning.*

7 APPLIANCE POSITION

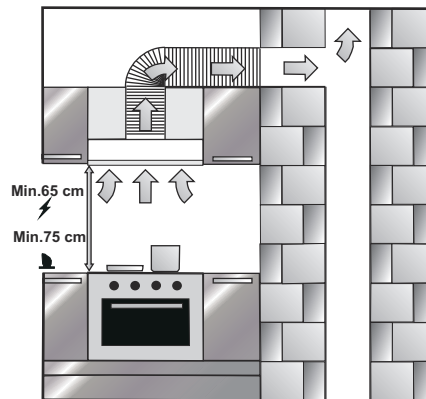


Fig. 10: MIN-MAX INSTALLATION DIMENSIONS

After completing the installation of hood, the minimum distance must be 65 cm between the product and any electric cooker; and 75 cm between it and any gas ranges or cookers burning other fuels (Fig. 10).

7.1 Installation and Unpacking of the Appliance

- Check that your appliance is not deformed.
- Report the transport issues immediately to transport operator.
- Any faults encountered shall be reported to the dealer, too.
- Do not allow children to play with the packaging materials!

7.2 Recommendations for Energy Saving



Your new appliance is exclusively energy saving. Here, you can find some recommendations on how you can save more energy while using your appliance and some advice required to dispose of your appliance properly.

Save energy

- Ensure there is adequate air inlet to enable your hood to work efficiently with low operating noise.
- Adjust the fan speed according to the intensity of kitchen vapour. Use the intense setting only in cases of need. A lower fan setting means less energy consumption.
- If high amounts of kitchen smoke shall be present, select a higher fan speed beforehand. Hood has to run for a much longer duration in order to clear kitchen smoke that is already spread in the kitchen.
- Turn off the hood when not needed.

APPLIANCE POSITION

Recommendations for Energy Saving

- Clean or replace the filter in the specified time intervals, this way you can increase ventilation efficiency and avoid fire hazard.

■

Disposal in environmentally compliant way

Dispose of the packaging material in an environmentally compliant way.



This appliance is marked in accordance with European directive 2012/19/EG (waste electrical and electronic equipment – WEEE). This directive sets the framework for the recovery and recycling of old appliances and the related EU-wide applications.

8 CONTENT OF PACKAGE

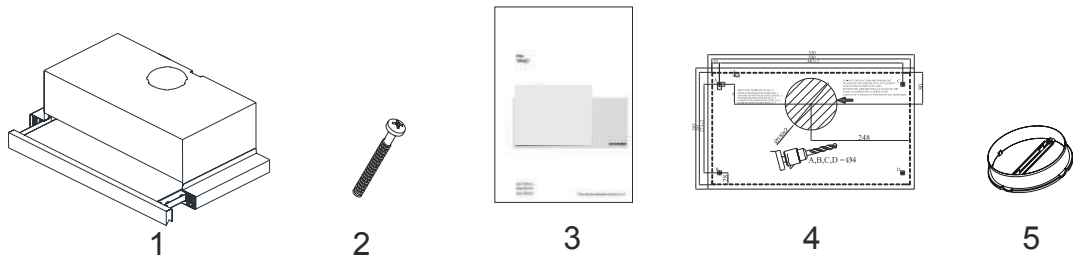
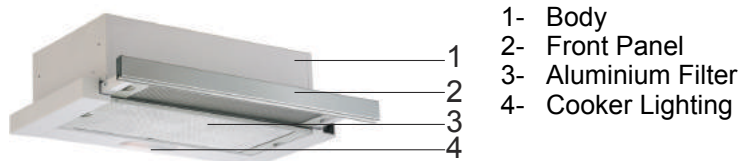


Fig. 11: Packing

- 1- Slide-in Cooker Hood
- 2- 4x 4x40 Mount Screw
- 3- User Manual
- 4- Ø120mm Plastic Flue Adapter

9 OVERVIEW OF COOKER HOOD



10 ASSEMBLY OF PRODUCT

10.1 Assembly Pattern

Drilling the Hanger Holes

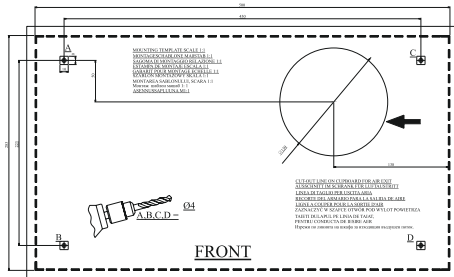


Fig. 12

Paste the installing template provided within the product on the surface where the product is to be installed.

Make holes with $\varnothing 4$ mm diameter on the points marked as A, B, C, D on the installing template (Fig. 12).

Drill the flue outlet hole specified in the installing template in the sizes given.



The sizes shown in the illustration are for representation purposes. Take the installing template provided in the product you have purchased into attention.

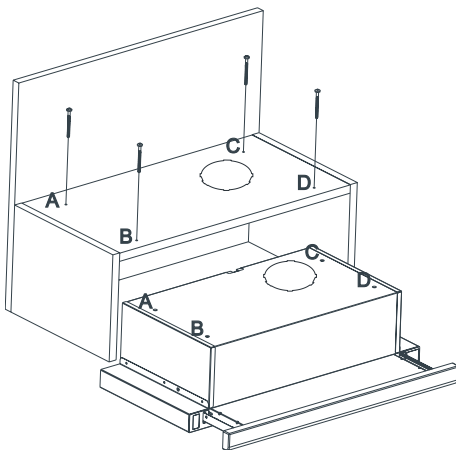


Fig. 13

The appliance should be mounted on the cabinet on the points A, B, C, D by using 4 x 40 screws provided with the appliance. The front panel should not be rubbed against the cabinet cover when the sliding set moves (Fig. 13).

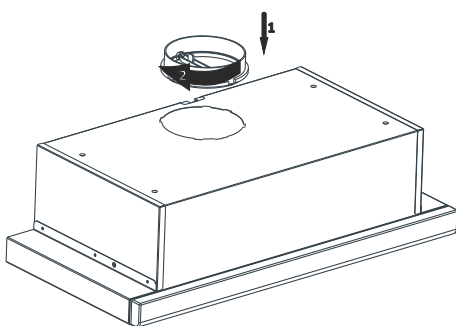


Fig. 14

Place the plastic flue provided with the appliance on the flue outlet on the appliance. Rotate the plastic flue clockwise (Fig. 14).

ASSEMBLY OF PRODUCT

Assembly Pattern

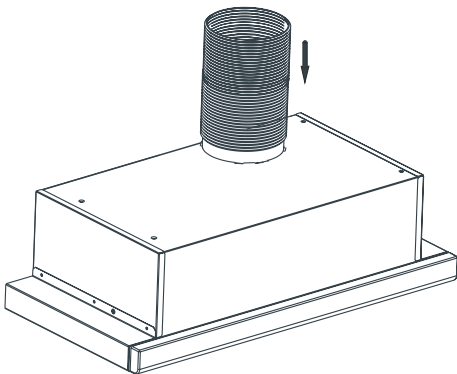


Fig. 15

Install flexible aluminium pipe to plastic flue outlet. Install the other end of the pipe to the flue hole on the wall (Fig. 15).



WARNING!

Since twists and bends in the aluminium pipe will lead to reduction in the air suction power, avoid using twists and bends as much as possible.



Cooker hood is used in kitchens with or without flue.

In case of use with flue;

In flue-connected use, cooker hood must be connected to a flue that will discharge the air. Prefer the shortest way for the pipe system that leads to flue, in order to get the maximum efficiency from your cooker hood. Your product is manufactured in a form appropriate for use with flue.

USE OF PRODUCT

3 Spd Digital Product Use

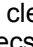
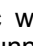
11.1 3 Spd Digital Product Use



Fig. 21: 3 Spd Dig Button

1. ▶ ON - OFF
2. ▶ Decrease speed
3. ▶ Dig display You can follow which speed the product is currently working on this display.
4. ▶ Increase speed
5. ▶ Timer (15 minutes)
6. ▶ Light

Cleaning Periods for Metal Filters:

Filters should be cleaned when "C" signal appears on the Display or (due to usage) every 2 or 3 weeks. To delete "C" signal after the filters are cleaned and replaced, press and hold () button more than 3 secs (when device is off). Letter "E" will appear on the Display and it will switch to normal operation. If operation before deleting the "C" signal is required, active motor speed will appear for 1 sec when you press () button and then the motor will resume running.



"C" symbol will be displayed after 60 hours of operation is elapsed.

12 REPLACING THE LAMPS

12.1 LED Lamp Replacement



WARNING!

Disconnect the electrical supply of the hood. Leave the lamps to cool down first because they could burn your hands when they are hot.



It indicates the maximum power consumption of the lamp. A lamp with same power rating should be used when replacing the lamp.

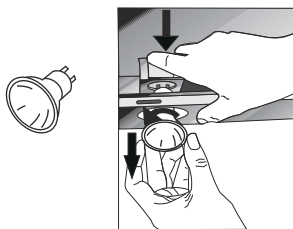


To find out the power rating used in the product, see the declaration label in the product.



Only self-protection LED lamp or self-protection metal halide lamp must be used.

Fig. 22: LED lamp symbol



For replacing the LED lamps, push downwards on the lamp holder from its behind, turn it a little bit counter-clockwise, and take it out downwards. Fig. 23

Fig. 23: LED Lamp Replacement

13 AUTHORIZED SERVICE

If Lighting is Not Functioning:

- Make sure that the plug is plugged in, and that the fuses are intact.
- Check the bulbs. Make sure you unplugged the device before performing this check. Tighten the bulbs if they are loose; you can replace the bulbs if they still don't work.

Possible Faults and Things that You can do Before Calling Technical Service:

A) If the device does not run in any way:

- Check to see if the hood is plugged in or if the plug is fit properly into the socket.
- Check the fuse, to which the appliance is connected, as well as the main fuse of your house.

If the device performance is not enough and it creates high noise while running:

- Is the outlet diameter of the appliance's flue adequate? (min. 120 mm).
- Are the metal filters clean? Please check.
- If you use the hood without flue, make sure that the carbon filters are not older than 6 months.
- Be attentive to ventilate your kitchen adequately, in order to provide an airflow. If you are still not satisfied with the performance of the appliance, consult the authorized technical service.

Troubleshooting

Fault description	Cause	Remedy
Product Does Not Work	Check the power connection.	Mains voltage must be 220-240 V, and product must be plugged into a grounded socket.
Illumination lamp does not operate	Check the power connection.	Mains voltage must be 220-240 V, and product must be plugged into a grounded socket.
Illumination lamp does not operate	Check the lamp switch.	Lamp press must be operative.
Illumination lamp does not operate	Check the bulbs.	Bulbs must be operative.
Product's Air Intake is Weak	Check The Aluminium Filter.	The aluminium cartridge filter should be washed once a month under normal conditions.
Product's Air Intake is Weak	Check The Air Outlet Flue.	Air Outlet Flue Must Be Open.
Product's Air Intake is Weak	Check The Carbon Filter.	In products that work with carbon filters, carbon filter must be replaced once in every 3 months under normal conditions.

AUTHORIZED SERVICE

Fault description	Cause	Remedy
It Does Not Discharge Air (in flueless use)	Check The Aluminium Filter.	The aluminium cartridge filter should be washed once a month under normal conditions.
It Does Not Discharge Air (in flueless use)	Check The Carbon Filter.	In products that work with carbon filters, carbon filter must be replaced once in every 3 months under normal conditions.

14 TECHNICAL TABLE

Supply Voltage	220 - 240 V 50Hz
Insulation Class of Motor	F
Insulation Class	CLASS I



This product complies with the 2014/30/EC (Regulation on Electro-magnetic Compliance) and 2014/35/EC (Regulation on Low Voltage Devices (LVD)) Directives.



This device complies with the Directive on the Control of Waste Electrical and Electronic Equipment.

Specifications of the device and this manual may be modified without prior notification.

Mục lục

1	ĐẦU VÀO	29
2	BẢN VẼ KỸ THUẬT	30
3	CẢNH BÁO VÀ CẢNH BÁO AN TOÀN	32
	3.1 RỦI RO, NGUY HIỂM CHẾT NGƯỜI.....	34
4	SỬ DỤNG VÀ KHÔNG SỬ DỤNG THAN HOẠT TÍNH	38
5	Thay thế lưới lọc than hoạt tính AF 100	39
6	VỆ SINH VÀ BẢO TRÌ	40
	6.1 Vệ sinh bằng máy rửa chén.....	40
	6.2 VỆ SINH LƯỚI LỌC DẦU MỠ.....	40
	6.3 Vệ sinh bằng tay.....	40
7	VỊ TRÍ LẮP ĐẶT	42
	7.1 Lắp đặt và tháo gỡ thiết bị.....	42
	7.2 Khuyến nghị tiết kiệm năng lượng.....	42
8	BAO GÓI BAO GỒM	44
9	TỔNG QUAN MÁY HÚT	45
10	LẮP ĐẶT THIẾT BỊ	46
	10.1 Mô hình lắp đặt.....	46
11	SỬ DỤNG THIẾT BỊ	48
	11.1 Sử dụng sản phẩm kỹ thuật số 3 tốc độ.....	48
12	THAY THẾ BÓNG ĐÈN	49
	12.1 Thay thế đèn LED.....	49
13	TRUNG TÂM ỦY QUYỀN	50
14	BẢNG THÔNG SỐ	52

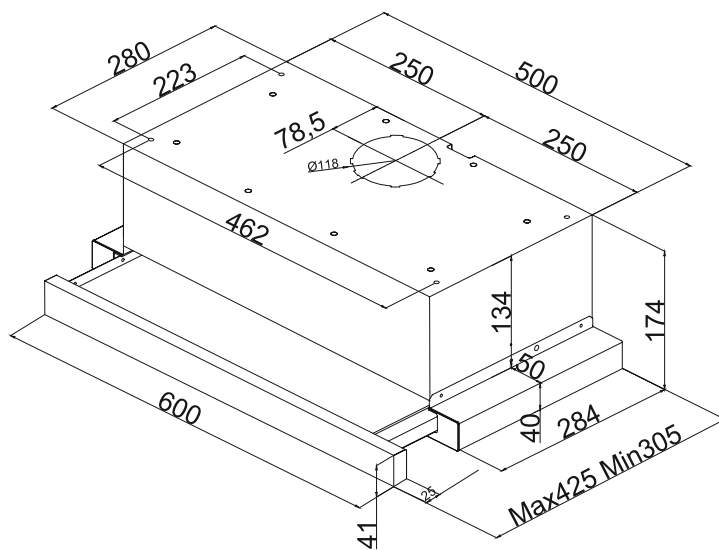
1 ĐẦU VÀO

Hướng dẫn này và các dữ liệu an toàn bao gồm những thông tin cần thiết để lắp đặt cũng như sử dụng thiết bị một cách an toàn:

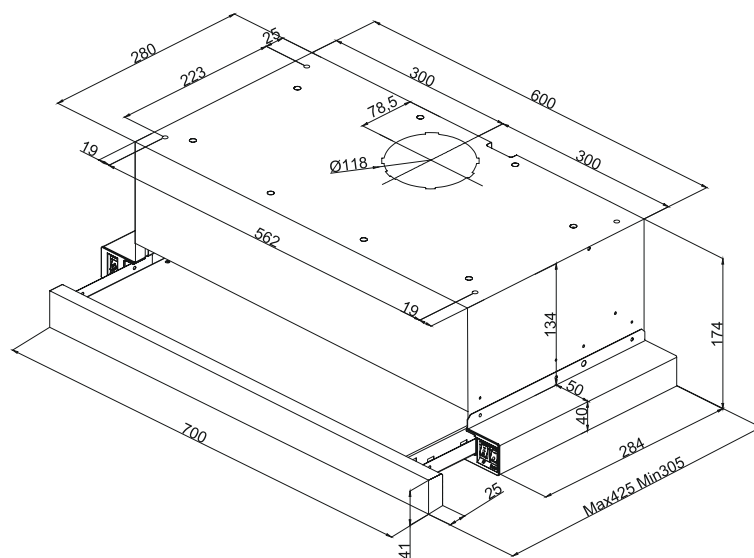
- Vui lòng đọc kỹ hướng dẫn trước khi sử dụng thiết bị.
- Lưu giữ hướng dẫn sử dụng này ở một nơi thích hợp.
- Nếu thiết bị được chuyển cho người khác, đảm bảo rằng hướng dẫn và dữ liệu an toàn này được chuyển cùng với thiết bị.
- Bỏ qua hướng dẫn sử dụng này có thể gây nguy hiểm hoặc rủi ro thương tật.
- Nhà sản xuất sẽ không chịu trách nhiệm về các lỗi phát sinh nếu không tuân thủ theo hướng dẫn này.

Các số liệu trong hướng dẫn này nhằm mô tả trực quan của sản phẩm. Trong những thông tin này chỉ có một mô hình được mô tả. Tuy nhiên, tất cả các hướng dẫn và số liệu cũng đại diện cho các mô hình khác.

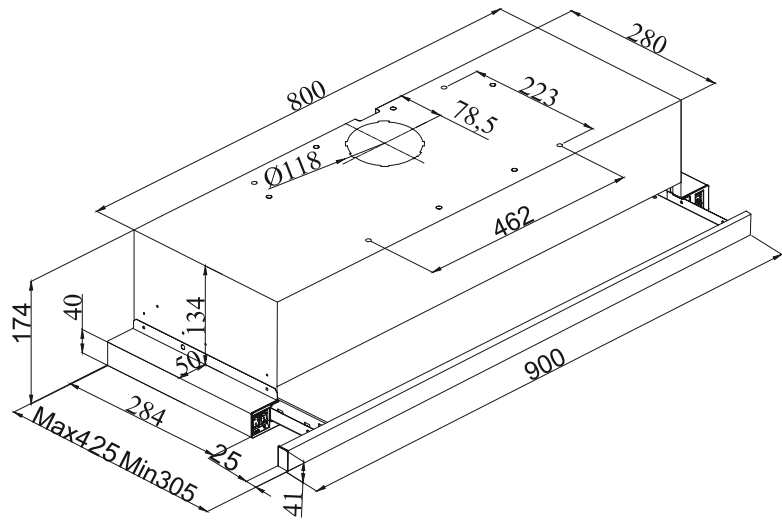
2 BẢN VẼ KỸ THUẬT



Hình 1: 60 cm



Hình 2: 1151 70



Hình 3: 1151 90

3 CẢNH BÁO VÀ CẢNH BÁO AN TOÀN

- CẢNH BÁO VÀ CẢNH BÁO AN TOÀN**
- Thiết bị này không được sử dụng bởi trẻ em dưới 8 tuổi, những người thiếu năng lực về thể chất, cảm giác và tinh thần hoặc những người thiếu kinh nghiệm và kiến thức; trừ khi họ được giám sát bởi người chịu trách nhiệm về sự an toàn của họ.
 - Trẻ em không được chơi với thiết bị. Việc vệ sinh và bảo trì không được thực hiện bởi trẻ em.
 - Thiết bị được thiết kế để sử dụng trong hộ gia đình.
 - Thiết bị sử dụng điện áp là 220-240 V~50-60 Hz.
 - Dây nguồn của sản phẩm được trang bị phích cắm nối đất. Mã này phải được cắm vào ổ cắm nối đất.
 - Toàn bộ hệ thống điện phải được lắp đặt bởi nhân viên kỹ thuật.
 - Việc lắp đặt bởi những người không được ủy quyền sẽ gây nên hiệu suất kém, tai nạn hoặc hư hỏng sản phẩm.
 - Không để dây dẫn của thiết bị bị kẹt trong khi lắp đặt. Không để dây nguồn gần bếp, vì chúng có thể bị cháy và gây hỏa hoạn.
 - Không cắm thiết bị trước khi lắp đặt.
 - Đảm bảo nơi lắp đặt cho phép người dùng dễ dàng rút phích cắm trong trường hợp có mối nguy hiểm nào xảy ra.
 - Không chạm vào đèn của thiết bị khi chúng hoạt động quá lâu, vì chúng có thể làm tay của bạn bị phỏng.
 - Máy hút được thiết kế cho sử dụng trong hộ gia đình. Nếu sử dụng thiết bị cho các mục đích khác sẽ không được bảo hành.
 - Tuân thủ các quy tắc và hướng dẫn trong việc thải khí của cơ quan có thẩm quyền. (Không áp dụng cho chế độ tuần hoàn)
 - Khởi động thiết bị của bạn sau khi bạn đặt nồi, chảo, v.v... lên bếp. Nếu không, nhiệt độ cao có thể làm hư hỏng thiết bị.
 - Tắt bếp trước khi nhấc nồi, chảo, v.v... ra khỏi bếp.
 - Không để nồi dầu sôi trên bếp, nồi dầu sôi có thể tự bốc cháy.
 - Cẩn thận khi nấu các món chiên vì dầu có thể bốc cháy, cẩn thận các rèm cửa và khăn trải bàn của bạn.
 - Đảm bảo thay thế các lưới lọc kịp thời. Nếu lưới lọc không được thay thế kịp thời sẽ gây ra hỏa hoạn vì chúng tích tụ nhiều dầu mỡ.
 - Không sử dụng vật liệu chống cháy thay vì bộ lọc.
 - Không sử dụng máy hút khi không lắp lưới lọc và không tháo lưới lọc trong khi máy hút đang hoạt động.
 - Trong trường hợp có hỏa hoạn, hãy ngắt kết nối thiết bị. (Tắt thiết bị hoặc tắt công tắc chính)

- Nếu sản phẩm không được vệ sinh định kỳ sẽ có nguy cơ hỏa hoạn.
- Ngắt thiết bị trước khi tiến hành bảo trì sản phẩm. (Ngắt thiết bị với nguồn điện chính)
- Khi máy hút và các thiết bị điện khác trong phòng hoạt động đồng thời, áp suất không khí không được vượt quá 4 Pa (4 x 10 bar).
- Các thiết bị khí đốt hoặc nhiên liệu được sử dụng chung trong phòng, như lò sưởi phải được cách ly hoàn toàn với khí thải của máy hút hoặc chúng phải được lọc.

- Khi bạn thực hiện kết nối ống thoát khói cho máy hút, hãy sử dụng các ống có đường kính 150mm hoặc 120mm. Chiều dài của ống thoát có số gấp khúc càng ít càng tốt.
- Trẻ em không được chơi với thiết bị.
- Vì sự an toàn của bạn, hãy sử dụng áp tô mát (CB) "MAX 6 A" cho hệ thống máy hút.
- Thiết bị bao gói có thể nguy hiểm, giữ chúng xa tầm tay trẻ em.
- Nếu dây cáp nguồn bị hỏng, nó phải được thay thế bởi nhân viên kỹ thuật để tránh những trường hợp gây nguy hiểm.
- Trong trường hợp xảy ra hỏa hoạn, hãy sử dụng những vật liệu cách lửa để dập tắt đám cháy, tuyệt đối không sử dụng nước.
- Khi các thiết bị nấu nướng đang hoạt động, các thiết bị tiếp xúc với chúng sẽ rất nóng.
- Thiết bị này không được sử dụng bởi trẻ em dưới 8 tuổi, những người bị thiếu năng lực về thể chất, cảm giác và tinh thần hoặc những người thiếu kinh nghiệm và kiến thức; trừ khi họ được giám sát bởi người chịu trách nhiệm về sự an toàn của họ.
- Sau khi lắp đặt máy hút, khoảng cách tối thiểu giữa mặt bếp và phần dưới cùng của máy hút là 65cm đối với bếp điện từ và 75cm đối với bếp gas.
- Đầu ra của máy hút không được kết nối với ống thoát khói, nơi thoát ra một loại khói khác.
- Bạn phải thật cẩn thận khi sử dụng thiết bị này với các thiết bị khác trong cùng một môi trường. Vì vậy phải đảm bảo thoát khói kịp thời, nếu không máy hút có thể xả khói ra xung quanh.
- Cảnh báo này không áp dụng cho chế độ tuần hoàn.
- Khi máy hút hoạt động đồng thời với các thiết bị điện khác, chúng nên được thoáng khí một cách tốt nhất.

3.1 RỦI RO, NGUY HIỂM CHẾT NGƯỜI



NGUY HIỂM!

Cảnh báo - Hòa hoạn

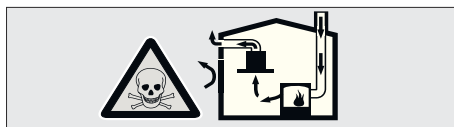
Vật liệu bao gói có thể gây nguy hiểm. Không được để trẻ em chơi với vật liệu bao gói.



NGUY HIỂM!

Cảnh báo - Hòa hoạn

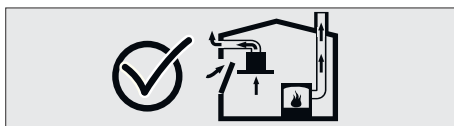
Nguy hiểm đến tính mạng và ngộ độc do khí đốt tái hấp thụ. Trong khi sử dụng ống thoát khói, không sử dụng đồng thời các thiết bị thải khói qua cùng một ống thoát khói đó. Hình 4



Hình 4: Nguy hiểm chết người

Các thiết bị thải khí và khói (ví dụ: khí gas, dầu, củi hoặc lò đốt than) lấy khí đốt từ vị trí lắp đặt và xả khí thông qua hệ thống ống thoát (ví dụ như ống khói). Khi máy hút đang hoạt động, nó hấp thụ không khí từ nhà bếp và các phòng lân cận. Nếu không đủ khí để hấp thụ, sẽ sinh ra chân không. Trong trường hợp đó, khí độc sẽ bị thải ngược trở lại. Hình 4

- Do đó, việc tải không khí trong lành phải luôn được đảm bảo. Hình 5



Hình 5

CẢNH BÁO VÀ CẢNH BÁO AN TOÀN

NGUY HIỂM CHẾT NGƯỜI



CẢNH BÁO!

Hỏa hoạn!

- Dự lượng dầu mỡ bám trên lưới lọc dầu mỡ có thể bắt lửa. **Nên vệ sinh lưới lọc dầu mỡ ít nhất 3 tháng một lần.** Không sử dụng thiết bị nếu không có lưới lọc dầu mỡ.
- Dự lượng dầu mỡ trong lưới lọc có thể bắt lửa, vì thế không để ngọn lửa gần thiết bị. Thiết bị chỉ được lắp đặt gần các chất đốt rắn (như gỗ hoặc than). Chỉ khi nó có nắp đậy không tháo rời được. Đảm bảo không có tia lửa nào bị bắn ra.
- Dầu mỡ rất dễ cháy, vì thế chúng tôi khuyên bạn đừng bỏ qua chúng. Đừng cố gắng dập lửa bằng nước. Tắt bếp. Cảnh thận dập lửa bằng tấm chắn hoặc những vật liệu tương tự.
- Bếp gas sẽ tỏa nhiệt rất nhiều khi hoạt động mà không có nồi nấu phía trên. Nhiệt độ quá cao sẽ làm hư hỏng máy hút đặt phía trên. Chỉ vận hành bếp gas khi có nồi nấu.
- Vận hành nhiều bếp gas cùng một lúc có thể tạo ra nhiệt độ rất cao. Máy hút đặt trên bếp vì thế cũng sẽ bị ảnh hưởng. Không vận hành hai bếp cùng lúc quá 15 phút khi vận hành ở ngọn lửa cao. Ngọn lửa lớn 5kW (Wok) tương đương với công suất của hai bếp gas.



CẢNH BÁO!

Nguy cơ điện giật!

- Thiết bị hư hỏng có thể gây điện giật. Không vận hành thiết bị khi bị hỏng. Ngắt thiết bị khỏi nguồn điện chính. Liên hệ với trung tâm chăm sóc khách hàng.
- Sửa chữa không đúng cách có thể gây ra nguy hiểm. Việc sửa chữa phải được thực hiện bởi nhân viên kỹ thuật. Nếu thiết bị hư hỏng, hãy rút phích cắm và ngắt toàn bộ điện. Liên hệ với trung tâm chăm sóc khách hàng.
- Nước rò rỉ vào thiết bị có thể gây điện giật. Không sử dụng chất tẩy rửa có áp suất cao hoặc hơi nước.



NGUY HIỂM!

Nguy cơ tổn thương!

- Trong khi lắp đặt, có thể bị tổn thương do các cạnh sắc nhọn của thiết bị. Sử dụng găng tay bảo vệ trong suốt quá trình lắp đặt thiết bị.
- Do nguy cơ rơi vỡ, việc lắp đặt bu lông và máy hút phải được thực hiện đúng theo hướng dẫn đi kèm.
- Các đồ vật đặt trên thiết bị có thể bị rơi vỡ, không đặt bất kỳ vật gì lên thiết bị.
- Đèn LED rất sáng và có nguy cơ làm hỏng mắt (nguy hiểm nhóm 1). Bạn không được nhìn thẳng vào đèn LED quá 100 giây.



CẢNH BÁO!

Nguy cơ bỏng, điện giật!

- Để thiết bị nguội trước khi tiến hành vệ sinh và bảo trì. Tắt áp tô mát (CB) hoặc rút phích cắm ra khỏi ổ cắm.
- Nguy cơ thiệt hại khi thiết bị có hơi nước bên trong. Cần thận không vệ sinh bộ phận điều khiển bằng vải ướt.
- Bề mặt có thể bị hỏng do vệ sinh không đúng cách. Vệ sinh bề mặt thép không gỉ theo đúng chiều chải. Không sử dụng chất tẩy rửa thép không gỉ cho bề mặt điều khiển.
- Bề mặt có thể bị hư hỏng do các chất tẩy rửa có tính ăn mòn. Vì thế không sử dụng các chất tẩy rửa có tính ăn mòn.



CẢNH BÁO!

Nguy cơ hỏa hoạn và gây tổn thương!

Trong trường hợp sửa chữa không đúng theo các quy tắc và yêu cầu, hãy tắt áp tô mát (CB) hoặc ngắt nguồn điện chính. Việc sửa chữa phải được thực hiện bởi nhân viên kỹ thuật.



CHÚ Ý!

Nếu thiết bị hư hỏng, hãy tắt áp tô mát (CB) hoặc ngắt dây cáp nguồn và liên hệ với trung tâm chăm sóc khách hàng.

CẢNH BÁO VÀ CẢNH BÁO AN TOÀN

NGUY CƠ CHẾT NGƯỜI



CẢNH BÁO!

Nếu dây cáp nguồn bị hỏng, chúng phải được thay thế bởi nhà sản xuất hoặc nhân viên kỹ thuật để tránh các trường hợp nguy hiểm.



CẢNH BÁO!

Khi bóng đèn xảy ra vấn đề, hãy ngắt mạch và rút phích cắm ra khỏi ổ cắm. Thay các bóng đèn bị lỗi ngay lập tức (để bóng đèn nguội hẳn), để các bóng còn lại không bị quá tải.



CẢNH BÁO!

Các bộ phận có thể nóng lên khi sử dụng các thiết bị nấu ăn.



NGUY HIỂM!

Không sử dụng ống khói này cho việc thải các khói khác không phải của máy hút.

Nguyên nhân thiệt hại



CẢNH BÁO!

Thiệt hại do sự ăn mòn. Luôn vận hành thiết bị để tránh trường hợp ngưng tụ những khói mùi trong khi nấu. Các chất ngưng tụ có thể gây hư hỏng do ăn mòn. Thay thế bóng đèn bị hỏng ngay lập tức để tránh các bóng còn lại bị quá tải. Độ ẩm xâm nhập vào thiết bị có thể làm hư hỏng thiết bị. Không làm sạch các bộ phận bằng vải ướt. Bề mặt có thể bị hư hỏng do vệ sinh không đúng cách. Vệ sinh bề mặt theo một chiều để tránh các thiệt hại cho chúng. Không sử dụng chất tẩy rửa dùng cho thép không gỉ để vệ sinh bề mặt. Không sử dụng chất tẩy rửa có tính ăn mòn để vệ sinh bề mặt vì chúng có thể bị hư hỏng do tính ăn mòn. Dòng chảy chất lỏng ngưng tụ có thể gây thiệt hại cho thiết bị. Lắp ống thoát khói có một độ nghiêng nhất định (ngiêng 1°).

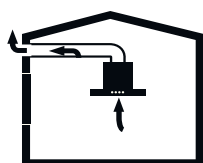
4 SỬ DỤNG VÀ KHÔNG SỬ DỤNG THAN HOẠT TÍNH



Bạn có thể sử dụng thiết bị này cho chế độ thoát ra ngoài hoặc chế độ tuần hoàn.

Chế độ thoát ra ngoài

Khí thải được lọc qua lớp lọc dầu mỡ đi theo đường ống thoát khí thoát ra ngoài. Hình 6



Hình 6: Ống thoát khí không sử dụng than hoạt tính



CẢNH BÁO!

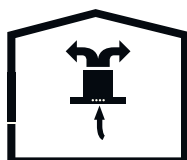
Không sử dụng chung ống thoát khí sử dụng cho máy hút để thải những khí thải khác, và không lắp đặt ống thoát khí gần nguồn nhiệt.

- Nếu bạn muốn chuyển các khí thải thành các khí bất hoạt bạn nên thu khí theo ống thoát khí được ủy quyền.
- Nếu không khí được thải qua tường ngoài, phải sử dụng tường an toàn bằng kính thiên văn.

Chế độ tuần hoàn



Không khí được lọc qua lớp lưới lọc dầu mỡ và lưới lọc than hoạt tính sau đó chuyển trả lại nhà bếp. Hình 7



Hình 7: Lọc không khí với than hoạt tính



Bạn cần lắp đặt lưới lọc than hoạt tính để giữ lại khói và mùi gây mùi khó chịu trong không khí. Tham khảo thông tin từ nhà cung cấp và đại lý được ủy quyền để lắp đặt đúng cách. Bạn có thể mua thêm phụ kiện cho chế độ này từ nhà sản xuất hoặc các đại lý ủy quyền.

5 Thay thế lưới lọc than hoạt tính AF 100

Than hoạt tính AF 100



Hình 8: THAN HOẠT TÍNH AF 100

Thiết bị của bạn phù hợp với than hoạt tính AF 100.

- 1-Vị trí đặt than hoạt tính (Hình 8).
- 2-Xoay than hoạt tính theo chiều kim đồng hồ, đảm bảo nó hoàn toàn vừa vặn.



Nếu lắp than hoạt tính không khớp, nó có thể rơi rớt và làm hỏng thiết bị của bạn.



NGUY HIỂM!

Không vệ sinh than hoạt tính.
Tránh xa tầm tay trẻ em.

6 VỆ SINH VÀ BẢO TRÌ

**CẢNH BÁO!**

Việc vệ sinh và bảo trì không được thực hiện bởi trẻ em khi không được giám sát.

- Bề mặt có thể rất dễ hư hỏng với chất tẩy rửa có tính ăn mòn. Không sử dụng chất rửa có tính ăn mòn cho bề mặt vì chúng rất dễ bị trầy xước. Nên sử dụng chất tẩy rửa dùng riêng cho bề mặt.
- Làm sạch bề mặt bằng vải mềm với nước rửa chén hoặc dung dịch vệ sinh thủy tinh nhẹ. Làm mềm bụi bẩn bằng vải ẩm. Không nên cạo vết bẩn!
- Không sử dụng vải khô, bọt biển có thể làm trầy xước, vật liệu chà xát và các chất làm sạch có chứa cát, soda, axit hoặc clo.
- Chỉ vệ sinh bề mặt thép không gỉ theo đúng chiều chải của nó.
- Không sử dụng chất tẩy rửa thép không gỉ và vải ẩm cho bộ phận điều khiển. Lưới lọc dầu mỡ sẽ giữ lại các hạt nhờn trong hơi ẩm và dầu mỡ được tạo ra trong khi nấu nướng. Vệ sinh lưới lọc dầu mỡ khoảng ba tháng một lần trong điều kiện sử dụng bình thường (1 đến 2 giờ mỗi ngày).
- Không sử dụng các chất tẩy rửa mạnh, có tính axit hoặc kiềm.
- Đối với vệ sinh lưới lọc dầu mỡ, hãy vệ sinh các bộ phận giữ lưới lọc bằng kim loại với vải ẩm.
- Bạn có thể vệ sinh lưới lọc dầu mỡ bằng máy rửa chén hoặc bằng tay.
- Không sử dụng vòi phun trực tiếp cho sản phẩm.
- Không để các vật trang trí nặng và dễ cháy lên trên sản phẩm.

6.1 Vệ sinh bằng máy rửa chén

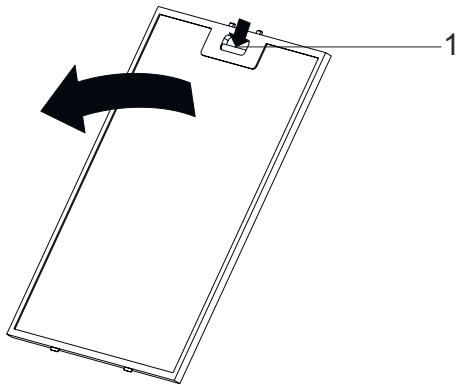
Trong trường hợp vệ sinh bằng máy rửa chén, có thể sẽ xảy ra trường hợp thay đổi màu sắc. Điều này không làm ảnh hưởng đến khả năng lọc của lưới lọc dầu mỡ.

- Không vệ sinh lưới lọc bám quá nhiều vết bẩn cùng với dụng cụ nấu nướng hoặc chén đĩa khác.
- Đặt lưới lọc dầu mỡ trong máy rửa chén sao cho không ảnh hưởng đến những vật dụng khác.

VỆ SINH VÀ BẢO TRÌ

Vệ sinh bằng tay

6.2 VỆ SINH LƯỚI LỌC DẦU MỠ



Hình 9

1 Lưới lọc nhôm



Vệ sinh lưới lọc nhôm định kỳ mỗi 3 tháng.

- Nhấn vào khấc ở lưới lọc nhôm (1), và kéo lưới lọc nhôm theo hướng mũi tên. (Hình 9)
- Khi bạn tháo lưới lọc nhôm, hãy giữ bằng tay kia để tránh bị rơi.
- Khi bạn tháo lưới lọc nhôm, để tránh tình trạng nhỏ giọt của dầu mỡ, hãy giữ cho lưới lọc song song với mặt sàn.

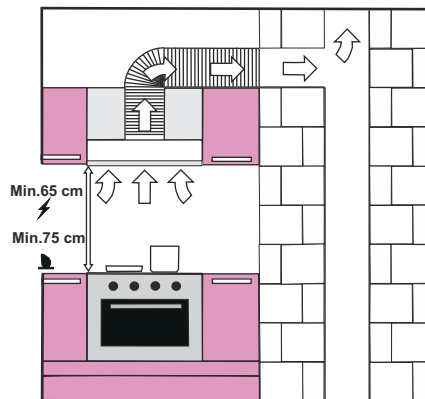
6.3 Vệ sinh bằng tay



Đối với các vết bẩn cứng đầu, sử dụng dung môi đặc biệt. Mua dung môi này tại đại lý hoặc trung tâm bán hàng có ủy quyền.

- Làm mềm vết bẩn bằng cách ngâm trong nước nóng pha với nước rửa chén.
- Dùng một bàn chải để làm sạch và chờ cho các vết dầu mỡ tan hoàn toàn.
- Rửa kỹ lưới lọc sau khi vệ sinh.

7 VỊ TRÍ LẮP ĐẶT



Hình 10: KÍCH THƯỚC LẮP ĐẶT TỐI ĐA - TỐI THIỂU

Sau khi lắp đặt, khoảng cách tối thiểu giữa máy hút và mặt bếp điện từ phải là 65cm và 75cm đối với bếp gas (Hình 10).

7.1 Tháo bao gói và lắp đặt thiết bị

- Kiểm tra xem thiết bị của bạn có bị biến dạng không.
- Báo cáo các vấn đề do vận chuyển ngay lập tức cho người vận chuyển.
- Bất kỳ lỗi nào gặp phải cũng sẽ được báo lại cho đại lý.
- Không để trẻ em chơi với vật liệu bao gói!

7.2 Khuyến khích tiết kiệm năng lượng



Thiết bị mới của bạn có tiết kiệm năng lượng. Tại đây, bạn có thể tìm thấy một số khuyến nghị về cách bạn có thể tiết kiệm nhiều năng lượng hơn trong khi sử dụng và lời khuyên cần thiết để vứt bỏ thiết bị đúng cách.

Tiết kiệm năng lượng

- Đảm bảo lượng khí đầu vào để máy hút hoạt động một cách hiệu quả với tiếng ồn hoạt động thấp.
- Điều chỉnh tốc độ quạt theo cường độ của bếp. Chỉ sử dụng tốc độ mạnh trong trường hợp cần thiết. Vận hành quạt ở tốc độ thấp đồng nghĩa với việc tiêu tốn ít năng lượng.
- Nếu lượng khói từ bếp tỏa ra nhiều hơn, thì điều chỉnh quạt ở tốc độ mạnh hơn. Máy hút phải chạy trong thời gian dài hơn để hút hoàn toàn khói và mùi trong nhà bếp.
- Tắt máy hút khi không sử dụng.

VỊ TRÍ LẮP ĐẶT

Khuyến khích tiết kiệm năng lượng

- Vệ sinh và thay thế bộ lọc theo thời gian được chỉ định. Điều này có thể làm tăng hiệu quả hoạt động và tránh nguy cơ hỏa hoạn.

■

Xử lý tuân thủ theo bảo vệ môi trường

Vứt bỏ vật liệu bao gói phù hợp với việc bảo vệ môi trường.



Thiết bị này được đánh dấu theo chỉ thị Châu Âu 2012/19 / EG (chất thải thiết bị điện - điện tử). Chỉ thị này tuân thủ theo khuôn khổ cho việc thu hồi và tái chế các thiết bị cũ và các ứng dụng có liên quan đến EU.

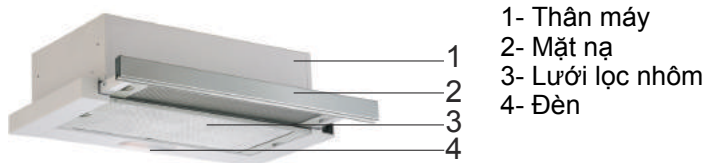
8 BAO GÓI BAO GỒM



Hình 11: Bao gói

- 1- Phần trượt của máy hút
- 2- Ốc vít 4x 4x40
- 3- Hướng dẫn sử dụng
- 4- Bộ chuyển đổi ống thoát khí Ø120mm
- 5- Cỗ nối ống thoát khí

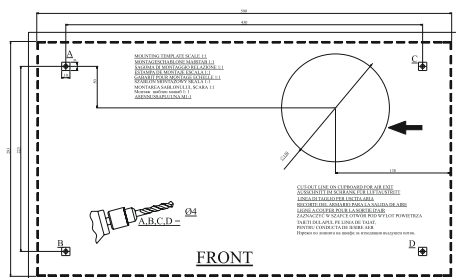
9 TỔNG QUAN MÁY HÚT



10 LẮP ĐẶT THIẾT BỊ

10.1 Mô hình lắp đặt

Khoan lỗ



Hình 12

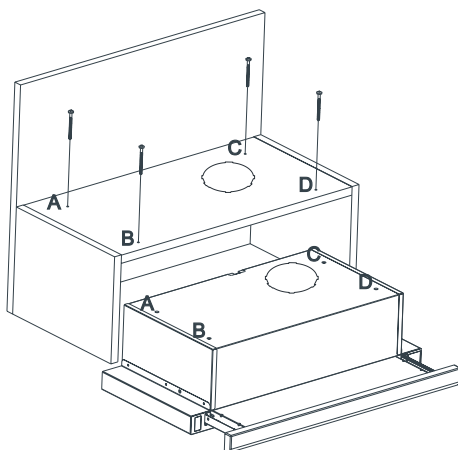
Dán tem thông số lắp đặt được cung cấp cùng sản phẩm lên bề mặt nơi sản phẩm sẽ được lắp đặt.

Khoan lỗ với đường kính $\varnothing 4$ mm tại vị trí A, B, C, D như trên tem thông số lắp đặt (Hình 12).

Khoan lỗ để lắp đặt ống thoát khí theo kích thước đã cho.



Các kích thước được hiển thị minh họa cho mục đích tiêu biểu. Lấy thông số lắp đặt trong thiết bị đã mua.



Hình 13

Thiết bị phải được gắn trên tủ theo vị trí A, B, C, D bằng cách sử dụng vít 4 x 40 được cung cấp cùng với thiết bị. Mặt trước không được cọ xát với nắp tủ khi bộ trượt di chuyển. (Hình 13)

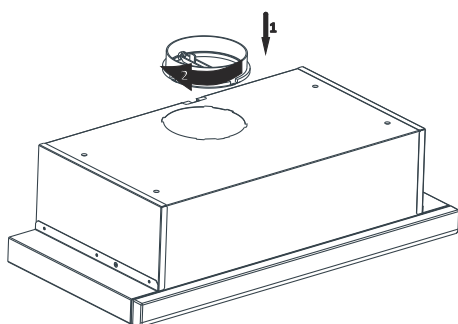
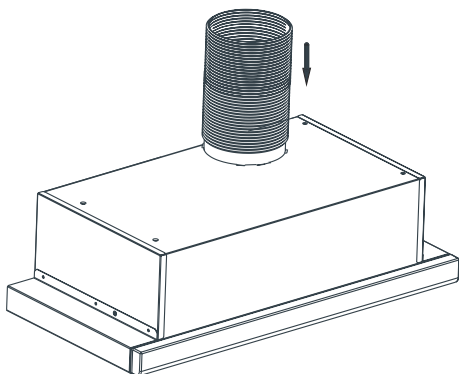


Fig. 14

Đặt cổ nối ống thoát khí bằng nhựa được cung cấp cùng thiết bị phía trên thiết bị. Xoay cổ nối theo chiều kim đồng hồ. (Hình 14)

LẮP ĐẶT SẢN PHẨM

Mô hình lắp đặt



Hình 15

Lắp ống thoát khói vào cổ nối, lắp đầu kia vào lỗ ống thoát khói trên tường. (Hình 15)



CẢNH BÁO!

Việc quá nhiều gấp khúc của ống thoát khói sẽ làm giảm hiệu quả hút, tránh sử dụng quá nhiều đường gấp khúc.



Máy hút sử dụng cho nhà bếp có hoặc không có ống thoát khói.

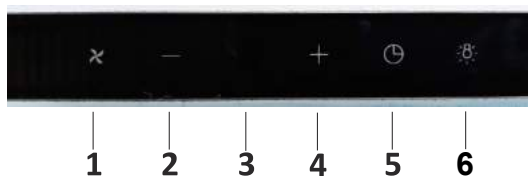
Trong trường hợp có ống thoát khói;

Trong trường hợp sử dụng ống thoát khói, máy hút kết nối với ống thoát khói sẽ xả không khí. Ưu tiên cách ngăn nhất cho hệ thống ống dẫn để có được hiệu quả tối đa từ máy hút. Sản phẩm của bạn được sản xuất để phù hợp với sử dụng ống thoát khói.

SỬ DỤNG SẢN PHẨM

Sử dụng sản phẩm kỹ thuật số 3 tốc độ

11.1 Sử dụng sản phẩm kỹ thuật số 3 tốc độ



Hình 21: Nút nhấn kỹ thuật số 3 tốc độ

1. ON - OFF
2. Giảm tốc độ
3. Màn hình kỹ thuật số - bạn có thể theo dõi tốc độ mà thiết bị đang vận hành thông qua màn hình này.
4. Tăng tốc độ
5. Hẹn giờ 15 phút
6. Tắt mở đèn

Thời điểm vệ sinh lưới lọc kim loại:

Lưới lọc nên được vệ sinh khi ký hiệu "C" xuất hiện trên màn hình (hoặc do sử dụng) sau mỗi 2 hoặc 3 tuần. Để xóa ký hiệu "C" sau khi lưới lọc được làm sạch, nhấn và giữ nút (🌀) hơn 3 giây (khi thiết bị tắt). Chữ "E" sẽ xuất hiện trên màn hình và thiết bị vận hành bình thường. Nếu vận hành trước khi xóa ký tự "C" là bắt buộc, tốc độ động cơ sẽ xuất hiện trong 1 giây khi bạn nhấn nút (🌀) và sau đó động cơ sẽ tiếp tục vận hành bình thường.



Ký tự "C" sẽ xuất hiện sau 60 giờ hoạt động.

12 THAY THỂ BÓNG ĐÈN

12.1 Thay thế bóng đèn LED



CẢNH BÁO!

Ngắt kết nối nguồn điện chính, để bóng đèn nguội hẳn trước khi thay thế bóng đèn.



Chỉ thị cho biết mức tiêu thụ điện năng tối đa của đèn. Nên sử dụng đèn có cùng mức công suất khi thay thế bóng đèn.

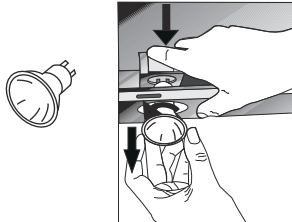


Để tìm hiểu mức công suất được sử dụng trong sản phẩm, xem trên tem thông số.

Chỉ sử dụng đèn LED.



Hình 22: Ký tự đèn LED



Hình 23: Thay thế đèn LED

Để thay thế đèn LED, nhấn xuống trên giá đỡ đèn từ phía sau, xoay một chút theo chiều kim đồng hồ và tháo nó theo hướng xuống. Hình 23

13 TRUNG TÂM ỦY QUYỀN

Nếu đèn không hoạt động:

- Đảm bảo phích cắm đã cắm vào nguồn điện và cầu chì vẫn còn nguyên vẹn.
- Kiểm tra bóng đèn. Đảm bảo bạn đã rút phích cắm trước khi thực hiện việc kiểm tra này. Vặn chặt bóng đèn nếu chúng bị lỏng, bạn có thể phải thay bóng đèn nếu chúng vẫn không hoạt động.

Những lỗi bạn có thể khắc phục trước khi liên hệ với trung tâm chăm sóc khách hàng:

A) Nếu thiết bị không hoạt động.

- Kiểm tra máy hút có được cắm vào nguồn điện hoặc phích cắm đã bị lỏng.
- Kiểm tra áp tô mát (CB), xem thiết bị nào đã được kết nối, kiểm tra áp tô mát (CB) chính của cả ngôi nhà.

Nếu thiết bị không đạt hiệu suất và tạo ra tiếng ồn trong khi hoạt động:

- Đường kính của ống thoát khí có phù hợp? (tối thiểu 120mm)
- Vui lòng kiểm tra đã vệ sinh lưới lọc kim loại chưa?
- Nếu bạn không sử dụng ống thoát khí cho máy hút, vui lòng không sử dụng lưới lọc than hoạt tính quá 6 tháng.
- Hãy đảm bảo máy hút đủ thông thoáng. Nếu bạn vẫn không hài lòng với hiệu suất của thiết bị hãy liên hệ với trung tâm chăm sóc khách hàng.

Các lỗi

Mô tả lỗi	Nguyên nhân	Biện pháp khắc phục
Thiết bị không hoạt động	Kiểm tra nguồn điện	Điện áp nguồn phải là 220-240 V và thiết bị phải được cắm vào ổ cắm nối đất.
Đèn chiếu sáng không hoạt động	Kiểm tra nguồn điện	Điện áp nguồn phải là 220-240 V và thiết bị phải được cắm vào ổ cắm nối đất.
Đèn chiếu sáng không hoạt động	Kiểm tra phích cắm đèn	Phích cắm phải hoạt động.
Đèn chiếu sáng không hoạt động	Kiểm tra bóng đèn	Các bóng đèn phải hoạt động được.
Thiết bị hút yếu	Kiểm tra lưới lọc nhôm	Lưới lọc nhôm nên được vệ sinh mỗi tháng một lần trong điều kiện sử dụng bình thường.
Thiết bị hút yếu	Kiểm tra ống thoát khí	Ống thoát khí phải được hoạt động.
Thiết bị hút yếu	Kiểm tra lưới lọc than hoạt tính	Đối với thiết bị chỉ sử dụng than hoạt tính, bánh than phải được thay thế mỗi 3 tháng một lần trong điều kiện máy hút hoạt động bình thường.

TRUNG TÂM ỦY QUYỀN

Mô tả lỗi	Nguyên nhân	Biện pháp khắc phục
Không xả khí (không sử dụng ống thoát khí)	Kiểm tra lưới lọc nhôm	Lưới lọc nhôm phải được vệ sinh mỗi tháng một lần trong điều kiện sử dụng bình thường.
Không xả khí (không sử dụng ống thoát khí)	Kiểm tra lưới lọc than hoạt tính	Đối với thiết bị chỉ sử dụng than hoạt tính, bánh than phải được thay thế mỗi 3 tháng một lần trong điều kiện máy hút hoạt động bình thường.

14 BẢNG THÔNG SỐ

Điện áp	220 - 240 V 50Hz
Lớp cách điện của động cơ	F
Lớp cách nhiệt	CLASS I



Sản phẩm này tuân thủ các Quy định về điện từ 2014/30/ EC (Tuân thủ quy định về điện từ) và 2014/35 / EC (Quy định về các thiết bị điện áp thấp).



Thiết bị này tuân thủ chỉ thị về kiểm soát chất thải điện và thiết bị điện tử.

Thông số kỹ thuật và hướng dẫn sử dụng có thể thay đổi mà không cần báo trước.

MALLOCA VIETNAM COMPANY LIMITED

Showroom:

279 Nguyen Van Troi Street, Ward 10, Phu Nhuan District, HCM City

Tel: (84) 28 39975 893 / 94

Fax: (84) 28 38447 102 - (84) 28 38633 882

Email: info@malloca.com

Customer Care:

Hotline: 1800 12 12

Email: chamsockh@malloca.com

CÔNG TY TNHH MALLOCA VIỆT NAM Showroom:

279 Đường Nguyễn Văn Trỗi, Phường 10, Quận Phú Nhuận, TP.HCM

Điện Thoại: (84) 28 39975 893 / 94

Fax: (84) 28 38447 102 - (84) 28 38633 882

Email: info@malloca.com

Hệ thống chăm sóc khách hàng:

Hotline: 1800 12 12

Email: chamsockh@malloca.com

Trung tâm chính

279 Đường Nguyễn Văn Trỗi, Phường 10, Quận Phú Nhuận, TP.HCM

SĐT: (028) 39975 893 / 94 – (028) 39975 294 / 95

Khu vực Bà Rịa Vũng Tàu

258-260A Lê Hồng Phong, Phường 4, TP. Vũng Tàu

SĐT: (0254) 385 94 99

Khu vực Tây Nguyên

331 Phan Đình Phùng, Phường 2, TP. Đà Lạt

SĐT: (0263) 3521 107 – 0918226362

Khu vực Nam Trung Bộ

08 Lê Hồng Phong, Phường Phước Hải, TP. Nha Trang

SĐT: (0258) 3875 488

Khu vực Miền Tây

180 Trần Hưng Đạo, Phường An Nghiệp, Quận Ninh Kiều, TP. Cần Thơ

SĐT: (0292) 373 2035

Khu vực Miền Trung

211 Nguyễn Văn Linh, Phường Vĩnh Trung, Quận Thanh Khê, TP. Đà Nẵng

SĐT: (0236) 369 1906

Khu vực Miền Bắc

10 Chương Dương Độ, Phường Chương Dương, Quận Hoàn Kiếm, Hà Nội

SĐT: (024) 35376 288 – 093 462 92 98