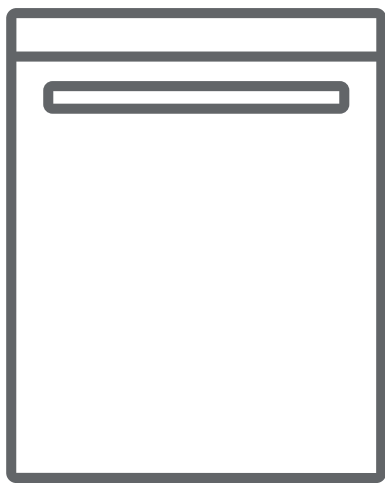




**EN** Dishwasher / User Manual



**MDW14-BS10TFT**

# Contents

<b>Safety Warnings</b> .....	<b>1</b>
Safety Information to be Followed while Using the Appliance .....	1
Safety Information to be Followed During Installation .....	5
Water Connections .....	7
Placing the appliance under the counter .....	9
Safety Information to be Followed During Cleaning and Maintenance...	11
Limitation of Liability.....	12
Technical Specifications .....	13
<b>General Appearance</b> .....	<b>14</b>
<b>Before Initial Use</b> .....	<b>15</b>
Preparing The Machine For Use.....	15
Importance of the water softening system.....	15
Adjusting the Water Hardness .....	16
Detergent Use .....	17
Filling and Adjusting Rinse Aid.....	19
<b>Placing the Dishes in the Dishwasher</b> .....	<b>20</b>
Upper Basket .....	21
Lower Basket .....	22
Alternative Basket Placement Methods.....	25
<b>Programme Definition</b> .....	<b>26</b>
<b>Programme Selection and Operating the Machine</b> .....	<b>29</b>
Programme Selection and Operating the Machine .....	29
Programme Monitoring.....	33
Changing-Cancelling the Programme.....	35

# Contents

Cleaning and Maintenance .....	41
Troubleshooting .....	43
Things to Do In Case of Simple Failures .....	46

## Safety Information

### **Safety Information to be Followed while Using the Appliance**

- Please keep this user manual with your appliance at all times. Give this manual with your appliance when you lend it to someone.
  - Read the user manual carefully and follow the instructions.
  - This device has been designed to be used indoors in houses and similar places. For example;
    - Staff kitchens of stores, offices and other working environments;
    - Farm houses;
    - Use in rooms of hotels, motels and other accommodation facilities by customers;
    - Places offering bed and breakfast service,
    - In bed-breakfast hostel environments.
  - The device is not suitable for commercial or public use.
  - Use your appliance according to the stated intended use only.
- Follow the instructions provided in this user manual.
- **WARNING:** Failure to use the appliance according to its intended use may cause damage and dangerous conditions and voids the warranty of the appliance. User shall pay for damages occurred under these circumstances.
  - If your supply cable is not compliant with the socket, the supply cable must be replaced by the authorised service to prevent possible dangers.
  - Connect the appliance to AC current and a grounded socket. Manufacturer shall not be responsible for damages that may result from usage without grounding.
  - Make sure that the grounding line in the electricity socket of your appliance and the electricity leakage protection circuit are in good condition to prevent a potential electric shock.
  - Regularly check the power cable for damages. Do not force the power cable of the appliance by pulling it. Do not place any items on the power cable.

- Make sure that the power supply cable is not crushed under the appliance.
- If the power cable is damaged, it must be replaced by an authorised service recommended by the manufacturer to prevent possible dangers. Please contact an authorised service or a customer contact centre.
- Do not use your appliance in the following situations:
  - If the appliance, the plug or the power cable is damaged,
  - If the appliance is dropped, if it has signs of visible damage or it does not work properly,
  - If the appliance and the electrical parts are visibly damaged,
  - If the appliance is wet, has been dropped in water or other liquids, subjected to flood and if its electrical parts have contacted water,
  - If a strange noise, smoke or odour is observed.

If one of the above conditions is detected, turn off your appliance, disconnect the power immediately and contact an authorised service. A damaged appliance or its parts can cause severe injuries or fire.
- If your appliance has any malfunction, do not attempt to repair the appliance yourself. Do not dismantle the appliance; it may cause the risk of electric shock when using if it is reinstalled improperly. The appliance has no user-serviceable parts.
- Switch off the fuse or unplug the appliance before performing any repair on the appliance. Never forget to turn off the water tap.
- Using accessories and replacement parts not recommended by the manufacturer may cause appliance damage and injuries.
- This appliance can be used by children at the age of 8 or above and people with limited physical, hearing or mental abilities or experience and knowledge only when they are supervised or when relevant instructions are provided and the dangers are understood.
- Children should not play with the appliance. Do not allow children to operate the appliance.

- Cleaning or user maintenance should not be performed by children without supervision.
  - Keep the detergent and rinse aid away from your children.
  - Keep your children away from the appliance when it is open since there might be residues of cleaning agents.
  - Make sure your old appliances do not pose any risks for your children. It is a known fact that children were locked in old appliances before. Break the lock of your old appliances, cut the power cable and remove the plug from the cable to avoid such situations.
  - Do not use your appliance outdoors or on wet surfaces to prevent the risk of electric shock.
  - Hold the plug when unplugging your device and pull out. Do not pull the cable.
  - The appliance must be supplied through a residual current device (RCD) with a rated residual operation current not exceeding 30 mA.
  - Do not use a multiple outlet or extension cord.
  - Do not use plugs that have damaged, torn or worn cables. Never pull, bend or damage the cable.
  - Do not climb, sit or place loads on the appliance door when it is open.
  - Do not plug or unplug the plug with wet hands to avoid electric shock.
- WARNING:** Packaging materials are dangerous for children. Store all packing material away from children.
- Check your appliance and its packaging for damages. Never operate an appliance with any kind of damage. Consult an authorised service immediately.
  - Open the packaging material as stated and dispose as described in the packaging information section.
  - Unplug the appliance if it will not be used for a long time.
  - Make sure you have unplugged the appliance and disconnected it from the power supply in the following cases:

- Before installation,
- Before cleaning and maintenance,
- Before repairing.
- Do not fill detergent and rinse aid sections with substances other than detergents and rinse aid produced specifically for dishwashers. Otherwise, the manufacturer will not be responsible for any damages that may occur on your appliance.
- Water in the washing section is not drinking water. Do not drink it.
- Do not place solvent chemicals in the washing section of your appliance as there is a risk of explosion.
- Before washing plastic objects in your appliance, check if they are suitable for washing in dishwashers.
- Do not place objects that are not suitable for washing in dishwasher in your appliance. Also, do not overload the baskets. Otherwise, the manufacturer will not be responsible for scratches and corrosion on the internal body of your appliance occurred as a result of basket movements.
- When the appliance is running, do not open its door since hot water may splash out. The safety system will stop your appliance if you open the door.
- Do not leave the door of your appliance open. Leaving the door open may cause accidents.
- Do not install other appliances emitting heat, such as stove, on or near the appliance. Heat emitted from the stove or similar appliances may damage the dishwasher.
- Place dishes such as bowls, glasses and pots in the dishwasher with their openings facing down.
- Do not load your appliance with dishes different or more than those specified.
- For safety reasons, unplug the device when the washing programme is over.
- Your dishwasher is not suitable for use by people with limited physical and mental abilities,

children and people with insufficient knowledge and experience on using the appliance without supervisors that can ensure their safety.

- Sheet surfaces of the appliance are sensitive. They need to be cleaned with special cleaning substances. Sheet surfaces cleaned with unsuitable cleaners can be scratched, damaged or their appearance may go bad in time. Use cleaning substances recommended by our Authorised Service to avoid such situations.
  - If the energy saving option is on, the door will automatically open at the end of the programme. In order not to damage automatic door opening mechanism, do not attempt to close the door for a minute. The door must be open for 30 min. for an effective drying performance (only in products with an automatic door opening mechanism).
- WARNING:** Do not stand in front of the door after hearing the automatic door opening signal.

## Safety Information to be Followed During Installation

- Installation and repair procedures must always be performed by an Authorised Service. Manufacturer will not be responsible for damages that may occur due to operations performed by unauthorised people. The power plug must be easily accessible after installation.
- You can call the call centre before starting to use your appliance to reach the closest authorised service and request assistance for installation, operation and usage of your device.
- Select a suitable, safe and level spot for the installation.
- Make sure the installation and electricity and water connections of the appliance are performed according to the instructions.
- Consult an expert electrician to make sure that the fuse system in your house is in compliance with the regulations.
- The appliance must only be



connected and operated in accordance with the details on the type plate. Check if the voltage value of your electricity network is compliant with the value stated on rated value plate of the appliance before using the appliance.

- Manufacturer will not be responsible for any damages that may occur due to unsuitable connections and/or failure to provide grounding.
- Never use extension cables or multiple sockets to connect your appliance to the electricity network. These connections may result in overheating.
- The fuse current value in your house must be 10-16 Amps.
- Your appliance is set to 220 – 240 Volts. If the mains voltage in your area is 110 Volts, have a 110/220 Volts and 3000 Watts transformer connected on the line. The appliance must not be plugged in during installation.
- Always use the covered plug supplied with the appliance.
- Washing efficiency of your

appliance will decrease in low voltage.

- While determining the location to install your appliance, make sure that it is a location where you can easily load and unload your dishes after washing.
- Do not install your appliance in spaces where temperature might drop below 0°C.
- Operate your appliance empty during the initial use after installing it at a suitable place.
- Place this appliance in a suitable place to protect from humidity, oil, dust, direct sunlight or exposure to water/humidity. Do not use the device outdoors, in humid environments or under rain.
- Before installation, unpack your appliance according to the warnings on the cardboard.
- Place the appliance near the tap and waste water outlet. Consider that the location cannot be changed after the connections have been made.
- Do not hold the door or the control panel to move the appliance.

- Make sure there is enough clearance around the appliance to easily move the appliance forward-backward during cleaning.
- Make sure the water inlet-outlet hoses do not get crushed when placing the appliance. Also, make sure that the power cable does not get stuck under the appliance.
- Adjust the feet for the appliance to be level and stable. The door can be opened and closed with not problems if the appliance is installed correctly.
- If the door of the appliance cannot be closed correctly, check if the appliance is level on the floor. If not, use the adjustable feet to balance it.

## Water Connections

- Make sure that the water installation in your house is compliant with the dishwasher. We recommend you to install a filter to the entrance of your house or building to prevent damage to the appliance by contamination (sand, clay, rust,

etc.) that may come from the city mains or your water installation at times and to avoid complaints such as yellowing, sediment, etc. as a result of washing.



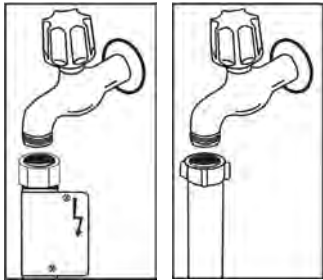
## Water Inlet Hose

- Do not use the water inlet hose of your old appliance (if any). Instead, use the new water inlet hose supplied with your appliance.
- Run some water inside the hose if your are going to use a new hose or a hose not used for a long time.
- Connect the water inlet hose directly to the water inlet tap.
- Pressure from the tap must be 0.03 MPa (0.3 bar) minimum, and 1 MPa (10 bar) maximum. If the water pressure is above

1 MPa (10 bar), use a pressure reduction valve in between.

- Open the tap completely to check water tightness after making all the connections.
- Turn off the water inlet tap after each washing programme for the safety of your appliance.

**NOTE:** Safety hoses are used in some models. Safety hoses contain dangerous voltage levels. Do not cut safety hoses. Do not bend or twist them

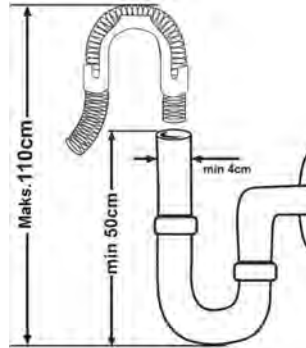


### Water Discharge Hose

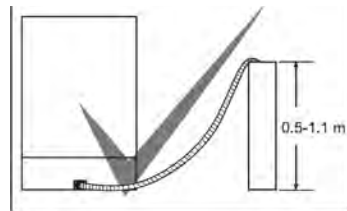
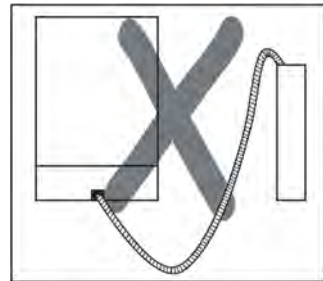
Water discharge hose can be directly connected to the waste water hole or to the waste water outlet of the sink. A specially twisted elbow (if any) can be used to attach the hose to the edge of the sink to directly discharge into the sink.

This connection must be min. 50 cm and max. 110 cm higher than

the floor.



**WARNING:** Do not use a discharge hose longer than 4m. This might cause insufficient cleaning on your dishes. Manufacturer will not accept any responsibility in this case.



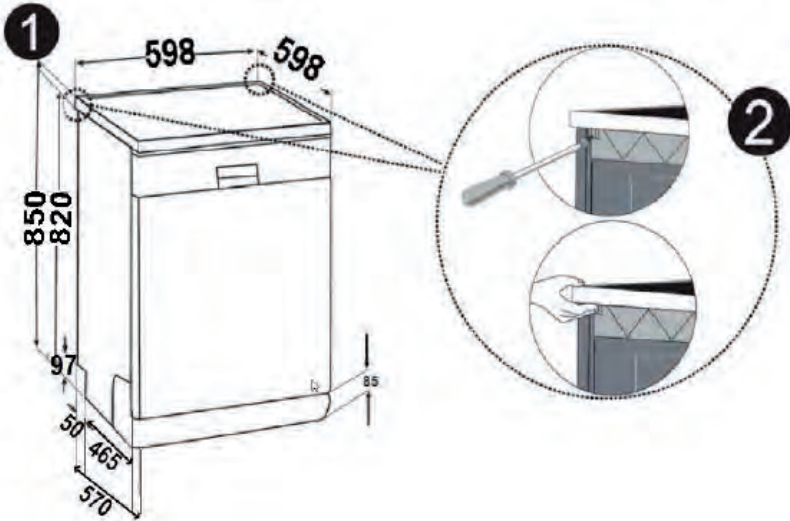
## Placing the appliance under the counter

If you want to place the appliance under the counter, check if the clearance under the counter is sufficient for the appliance and if the electricity-water installation is suitable.

1. If the clearance under the counter is suitable for the appliance, remove the upper plate of the appliance as shown in the figure.

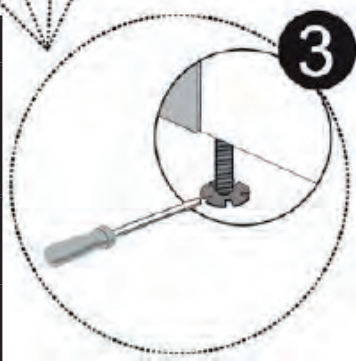
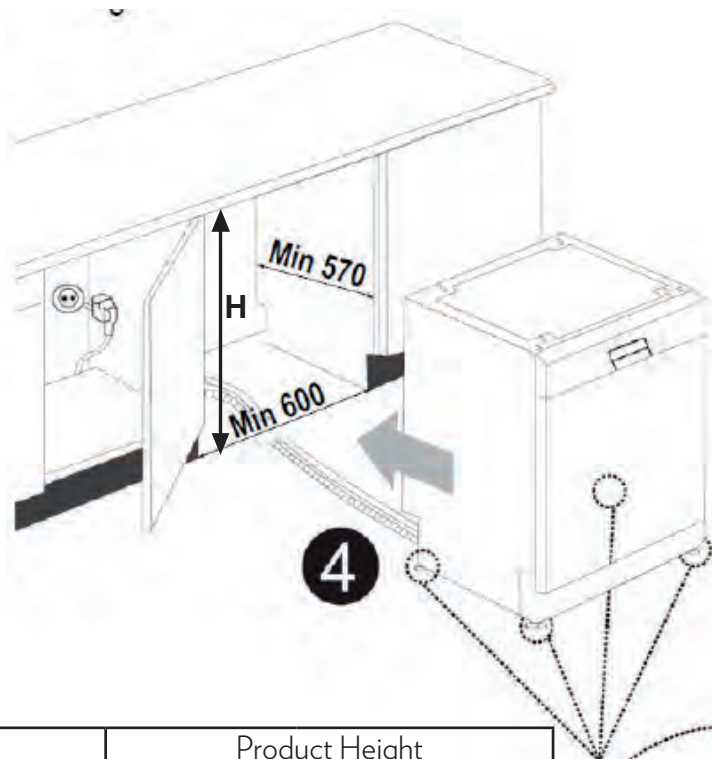
2. In order to remove the upper plate, remove the upper plate screws behind the appliance that are fixing the upper plate, push the upper plate from the front towards back for 1cm, lift and remove.

**WARNING:** The counter section that you will place your appliance by removing the upper plate must be stable not to allow the appliance to be off-balance.



**3.** Adjust the appliance feet according to the inclination of the floor. **4.** Push the appliance to place it under the counter by making sure that hoses are not bent or twisted.

**WARNING:** Place the upper plate in a closed space that has the dimensions specified in the figure after removing it from the appliance.



	Product Height		
	Without insulation material	With insulation material	
	All products	With 2 baskets	With 3 baskets
Height (mm)	820mm	830mm	835mm

## **Safety Information to be Followed During Cleaning and Maintenance**

- Clean your appliance regularly as explained in "Cleaning and Maintenance" chapter. Unplug the appliance and close the tap before starting maintenance and cleaning.
- Don not wash your appliance by pouring water over it.

## **Safety Information to be Followed During Handling and Transport**

- The appliance must be in its original packaging during handling and transport to prevent damage to its components.
- Do not drop the appliance and protect it against impacts during transport.
- Failures and damages occurred during handling after delivery of the product to the customer are not covered by the warranty.
- If you need to carry the product, keep it in upright position and hold it from the rear side. Tilting the appliance forward may cause its electronic parts

to get wet and damaged.

- Before you move the product, disconnect the power plug from the mains.
- Remove the water outlet and water mains connections.
- Completely discharge the remaining water in the product.

## **Objects Not Suitable For Washing in Dishwasher**

- Cigarette ash, wax residue, polish, oil, paint, dishes with chemicals and steel and iron alloy materials.
- Ivory with wood or bone handle, mother-of-pearl coated forks, spoons, knives, glued parts and abrasive, acidic or alkaline chemicals and contaminated parts.
- Aluminium and silver materials (matting and discolouring may occur.)
- Some types of sensitive glass, porcelain with decorative prints, crystals, non-heat-resistant adhesive forks and knives, lead crystal glasses, kitchen boards, objects manufactured with synthetic fibre.

- Objects with absorbing properties such as sponge or cloth cannot be washed in dishwasher.

**WARNING:** Make sure dinnerware that you will buy in the future are suitable for washing in the dishwasher.

## **Limitation of Liability**

All technical information, operating instructions, operation and maintenance of the device sections in this manual contain the latest information about your appliance. Manufacturer will not accept any responsibility for any damages and injuries caused by failure to observe the instructions in this manual, using the appliance for purposes other than its intended use, repairing operations by unauthorised persons, making modifications on the appliance without permission and using replacement parts not approved by the manufacturer.

**Important note for users:** You can access the digital version of this manual via the address below: "dishwasher@standardtest.info". Please add the model name and serial number (20 digits) written on the door of the product in the subject of the e-mail.

## Technical Specifications

Model	MDW14-S10TFT
Washing Capacity	Standard dinnerware for 14 people
Height	850mm
Height (Without table)	820mm
Width	598mm
Depth	598mm
Net Weight	62Kg
Power Inlet	220–240V, 50Hz
Total Power	1900W
Heater Power	1800W
Pump Power	100W
Drain Pump Power	30W
Water Pressure	0.03MPa (0.3 bar) - 1MPa (10 bar)
Current	10A

### Conformity with the standards and Test data / EU Declaration of Conformity

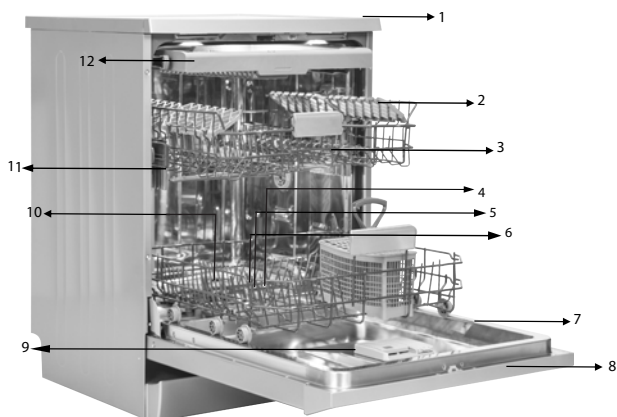
This product meets the requirements of all applicable EU directives with the corresponding harmonised standards, which provide for CE marking.

**Important Note for User: For softcopy of this user manual, please contact following address:**

**“dishwasher@standardtest.info”**. In your e-mail, please provide the model name and serial number (20 digits) which you can find on the appliance door.



## General Appearance



1. Upper table
2. Upper basket with racks
3. Upper spray arm
4. Lower basket
5. Lower spray arm
6. Filter Assembly
7. Information label
8. Control Panel
9. Detergent and Rinse Aid Container
10. Salt container
11. Upper basket stopper
12. Upper cutlery basket
13. Turbo drying unit:

The turbo drying system ensures more efficient drying for your dishes.



**Interior Light:** Provides illumination inside the dishwasher with four light sources from three surface, helping with loading and un-loading.

This image is only for information about the parts of the appliance. Parts may vary according to the model of the appliance. Images are representative.

## Before Initial Use

- Check if electricity and supply water properties are in compliance with the values specified in the installation instructions.
- Remove all packaging material in the appliance.
- Adjust the amount of softener according to the hardness of the water.
- Add 1 kg of salt and water into the salt container until it overflows.
- Fill the rinse aid container.

## Preparing the Machine for Use

### Importance of the water softening system

For a good washing function, your dishwasher needs soft water, i.e. water with less lime. Otherwise white lime deposits will be observed on internal components of your appliance and on your dishes.

This will negatively affect the washing, drying and rinsing performance of your appliance. Water is cleaned of ions causing hardness when they pass through the system and the water reaches the softness required for the best washing result. Depending on the hardness level of the inlet water, ions causing this hardness accumulate in the water softener system quickly. Therefore, the softener system must be cleaned to get the same performance from the next wash. Dishwasher salt is used for this purpose.

### Filling the salt

Use special softening salt produced only for use in dishwashers in your appliance. To add the softening salt, first of all, remove the lower basket

and rotate the cap of the salt container anti-clockwise (Figures 1 and 2) to remove it.














Fill the container with 1 kg salt and water until it overflows in the initial use (Figure 3). You can use a salt cone (if any) for an easier filling process (Figure 4). Attach the cap again and close it tightly by turning.



If the insufficient salt warning lamp on the control panel is lit, add salt into the container again. Fill the salt container with water only for the initial use. It is recommended to use powder softening salt or salt with small granules. Do not use table salt in your appliance. Otherwise, the softener container may lose its function in time. When you operate your dishwasher, the salt container and the internal container that includes the salt container will be filled with water. Therefore, add the softening salt before starting the dishwasher. If you are not going to wash the dishes right away, run a short washing programme when the appliance is unloaded to prevent damage to appliance by the salt overflowed when filling the salt container (to prevent corrosion).

## Test strip

Washing efficiency of your appliance depends on the softness of the washing water. Therefore, your appliance has a system that reduces the hardness of the mains water. Washing efficiency will increase if the system is set correctly. Find out the hardness of the mains water by using the test strip (if available) to set the system.

					1.Level  Soft 2.Level  Slightly hard 3.Level  Hard 4. Level  Medium 5.Level  Highly hard 6.Level  Extremely hard
Open the test strip.	Flow water from your tap for 1 minute.	Hold the test strip under running water for 1 second.	Shake the strip after taking it off the water.	Wait for 1 minute.	Adjust the water hardness level of your appliance according to the test strip result.

## Water Softening Adjustment

### Water Hardness Level Adjustment Table

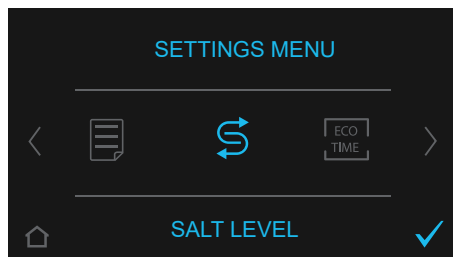
Water hardness degree	German hardness dH	French hardness dH	British hardness dH	Hardness level indicator
1	0-5	0-9	0-6	L1 will be displayed on the indicator.
2	6-11	10-20	7-14	L2 will be displayed on the indicator.
3	12-17	21-30	15-21	L3 will be displayed on the indicator.
4	18-22	31-40	22-28	L4 will be displayed on the indicator.
5	23-31	41-55	29-39	L5 will be displayed on the indicator.
6	32-50	56-90	40-63	L6 will be displayed on the indicator.

If the hardness of the water you use is more than 90dF (French hardness) or you are using well water, it is recommended to use a filter and water purification devices.

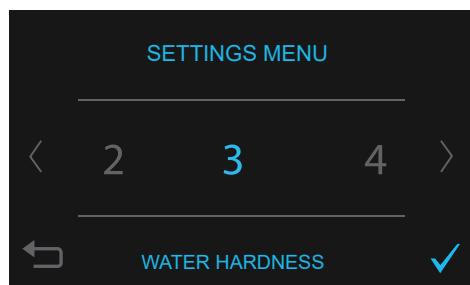
**NOTE:** Water hardness level is **3** by default.

In accordance with the degree identified on the test track, perform the water hardness setting of your machine as indicated below.

Enter the settings menu to change the water hardness setting.



Use forward/backward keys to select the Salt Level menu in the Settings and press confirm. The water hardness level seen in blue on the screen is the level that has been saved the last.



To save a new key, select the desired level using forward/backward keys and press confirm. The new level will be blue. Press back to exit salt level setting.

## Detergent use

Use detergents produced only for dishwashers. Powder, liquid and tablet detergents produced specially for dishwashers are commercially available.

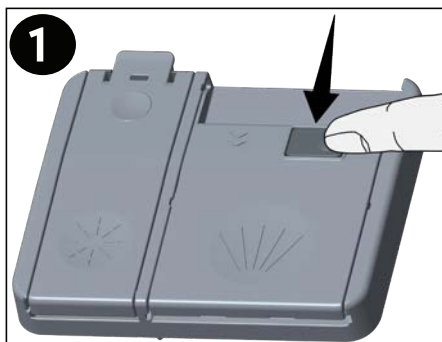
Detergent must be added to the container before starting the appliance. Store detergents in a cool and dry place with their packaging closed, away from children. Do not fill the detergent container with detergent more than needed. This can cause scratches on glasses and prevent complete dissolution of the detergent. If you need more information about the detergent to you are going to use, consult detergent manufacturers.

## Filling the detergent container

To open the lid, the push detergent container latch as shown in the figure. **1**

There are lines inside the detergent container

that show the levels. Use these lines to determine the right amount of detergent. Detergent container can take 40 cm<sup>3</sup> detergent in total.



Open the detergent container of your dishwasher and fill detergent in the large section **b** (section shown with **b**) of the detergent container up to 25 cm<sup>3</sup> if your dishes are heavily soiled and the machine is completely full, or up to 15 cm<sup>3</sup> if they are lightly soiled and the machine is not completely full. **2** If your dishes have waited for a long time, food residues dried on them and the dishwasher is overloaded, add 5 cm<sup>3</sup> detergent **in the container marked with a** and start your machine. You can add more detergent in your machine depending on the soiling level of your dishes and the hardness of the water in your area.

### Combined detergents

Detergent manufacturers produce combined detergents called 2 in 1, 3 in 1, 5 in 1, etc. 2 in 1 detergents include detergent + salt or rinse aid. You must pay attention to the functions of the tablet when using 2 in 1 detergents. Other detergent tablets have extra functions such as detergent+rinse aid+salt, etc. In general, combined detergents provide satisfying results in certain conditions of use. These detergents contain rinse aids and/or salt in pre-determined amounts.

#### Things to consider when using such products:

- Check the properties of the product you will use or check if it is a combined product.
- Check if the detergent used is suitable for the hardness of the mains water that the appliance is connected to.
- Follow instructions on the packaging when using these products.
- If these detergents are tablets, do not place them inside the dishwasher or in the cutlery basket



Place tablets in the detergent section inside the detergent container.

- These detergents provide good results only for certain uses. If you use this type of detergent, you need to consult detergent manufacturers and find out the appropriate conditions of use.
- These products offer savings in salt and/or rinse aid consumption when usage conditions and machine setting are correct.
- If you cannot achieve successful washing by using 2-in-1 or 3-in-1 detergent (if your dishes end up with lime deposits and are wet), consult detergent manufacturers. Appliance warranty does not cover complaints caused by the use of these detergents.

**Recommended usage;** if you want to obtain better results by using combined detergents, add salt and rinse aid to your appliance, set water hardness and rinse aid settings to the lowest (1) level.

**Solubility of detergents produced as various tablets by different manufacturers varies depending on temperature and time. Therefore, it is not recommended to use these detergents in short programmes. It is more suitable to use powder detergents in these programmes.**

## Filling and adjusting rinse aid

Rinse aid is used to prevent formation of white water drops, lime marks and stains in the form of white layer on dishes and increase drying performance. Contrary to popular belief, it is used not only for dishes to be more shiny but also achieve sufficient level of drying. Therefore, make sure there is rinse aid in rinse aid container and use rinse aids produced specially for use in dishwashers.

If you see “NO SALT!” warning on the display, you need to add rinse aid to the rinse aid compartment in the detergent box. To add rinse aid, open the lid of the rinse air compartment. Add rinse aid up to the MAX

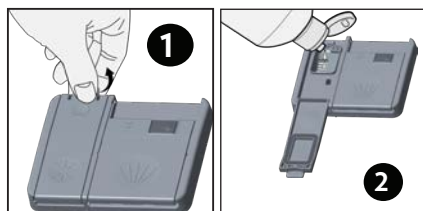
level and close the cover. Make sure that the rinse aid does not overflow from the compartment. Clean rinse aid spills.

Fill the rinse aid compartment up to the maximum level and close the cover of the compartment.

- Enter the settings menu to change the rinse aid level setting.
- Use forward/backward keys to select the Rinse Aid Level menu in the Settings and press confirm.
- The rinse aid level seen in blue on the screen is the level that has been saved the last.

- To save a new level, select the desired level using forward/backward keys and press confirm.
- The new level will be blue. Press back to exit the rinse aid level setting.

NOTE: Rinse aid level is set to 4 by default.



### Rinse Aid Level Adjustment Table

Level	Rinse aid dose	Rinse aid level indicator
1	No rinse aid dispensed	1 is seen on the rinse aid level display.
2	1 dose is dispensed	2 is seen on the rinse aid level display.
3	2 doses are dispensed	3 is seen on the rinse aid level display.
4	3 doses are dispensed	4 is seen on the rinse aid level display.
5	4 doses are dispensed	5 is seen on the rinse aid level display.

**If water marks are observed on the dishes after washing, you need to increase the rinse aid level. If a blue mark is observed which disappears when wiped by hand, you need to decrease the level.**

**WARNING:** Use rinse aid that is approved in the appliance. Wipe the overflowing rinse aid as it will reduce the washing performance by creating excessive foam due to rinse aid residues.

**WARNING:** Only use rinse aids that are approved for the machine. Wipe the overflowed rinse aid since it will reduce the washing performance by creating excessive foam due to rinse aid residues.

## Placing the Dishes in the Dishwasher

Placing the dishes correctly will allow you to get the best of your appliance in terms of energy consumption, washing and drying performance. Your appliance has two baskets where you can place your dishes. You can place large and deep dishes such as long-handled pots, pot covers, plates, salad plates and cutlery in the lower basket. The upper basket has been designed for tea saucers, dessert plates, salad bowls, cups and glasses. Place glasses with long handles and wine glasses at the edge of the basket and against the rack, not on other objects. Do not lean long glasses on each other. They might get damaged by hitting each other.

It is better to place objects with thin, narrow bodies in the middle of the baskets.

Place spoons among forks and knives to prevent them from sticking to each other. It is recommended to use the cutlery grid for the best results. Place long and sharp dishes such as serving forks, bread knives, etc. with their sharp tips facing down or horizontally on the dish baskets to prevent possible injuries.

**WARNING:** Place your dishes in the machine so that they do not prevent rotation of the upper and lower spray arms.

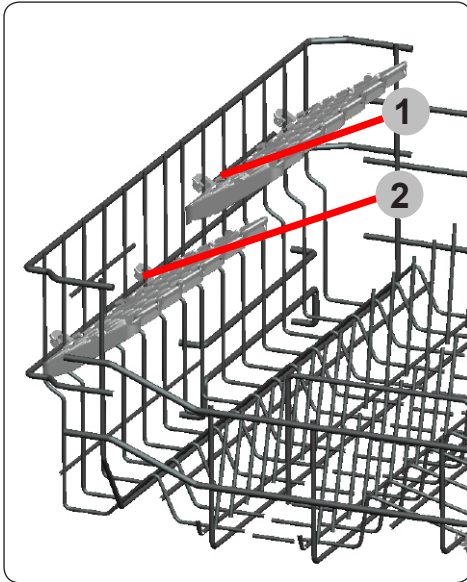
## Unloading Washed Dishes

It is recommended to unload the lower basket at first in order to prevent water droplets to drop on dishes on the lower basket while unloading the dishwasher.

After the washing programme, start unloading the dishwasher when the dishes are cool enough so that you can touch them.

### Height Adjustable Rack (peg type)

The height adjustable racks enable glasses and cups to be placed on or under the racks. The racks can be adjusted to 2 different heights. Cutlery and utensils can also be placed on the racks horizontally.



### Upper Cutlery Basket

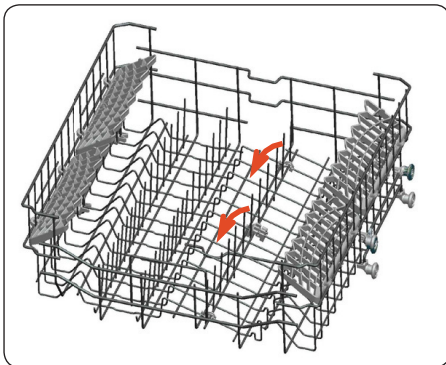
The upper cutlery basket is designed for the placement of large and small cutlery and utensils.



**WARNING:** Knives and other sharp objects must be placed horizontally in the cutlery basket.

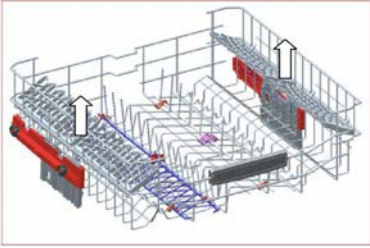
### Height Adjustable Rack (peg type)

The foldable racks in the upper basket enable the placement of large items such as pots and pans. Each section can be folded separately. The foldable racks can be either raised up or folded down.

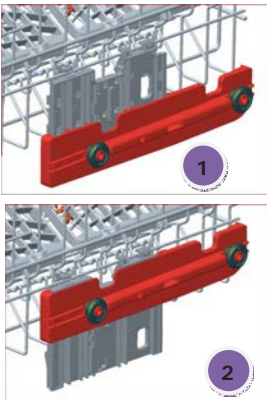




## Top basket height adjustment while it is full

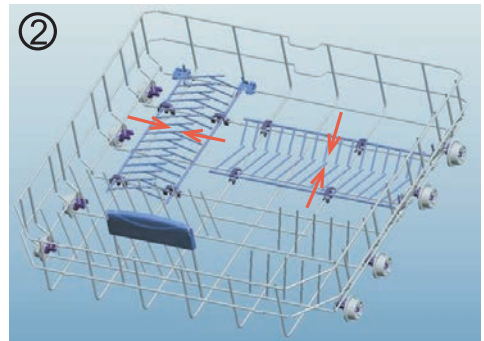
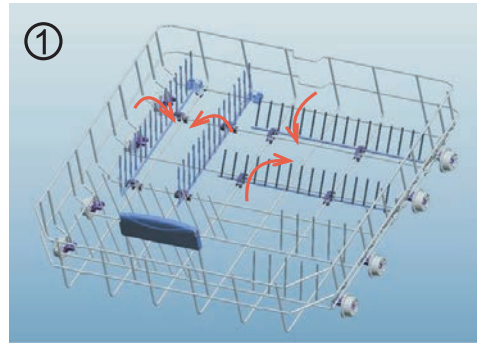


The basket height adjustment mechanism on the top basket of your machine is designed to let you adjust the height of your top basket upwards or downwards, without removing it from your machine when it is full, and create large spaces at the top or bottom area of your machine as needed. Basket of your machine is set to upper position in factory settings. In order to raise your basket, hold it from both sides and pull it upwards. In order to lower it, hold it from both sides again, and leave it. In loaded basket adjustment mechanism, make sure that both sides are in the same position. (up or down)



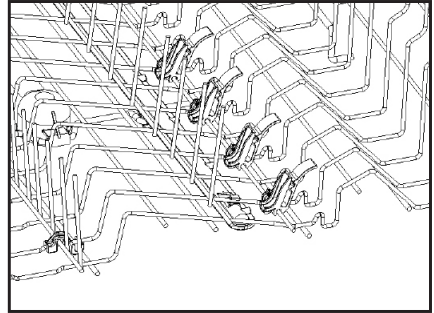
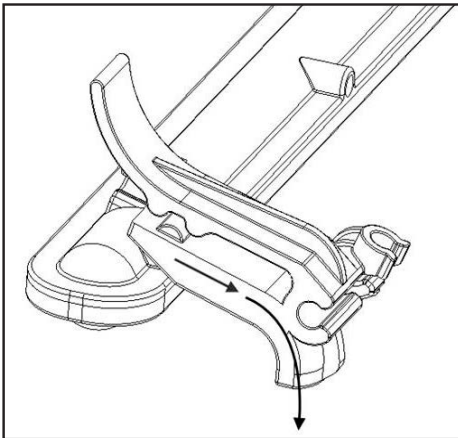
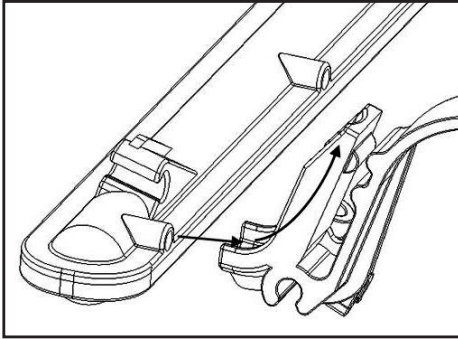
## Lower Basket Folding Wires

Folding wires consisting of four parts located in the lower basket of your machine have been designed for you to place large objects such as pots, bowls, etc. comfortably. You can create large spaces by folding each part one by one or all at once. You can use folding wires by lifting them up or folding them.



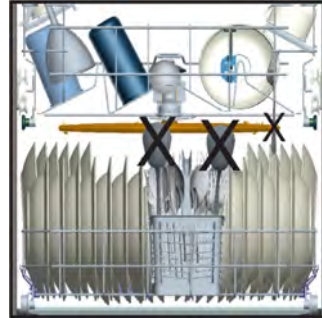
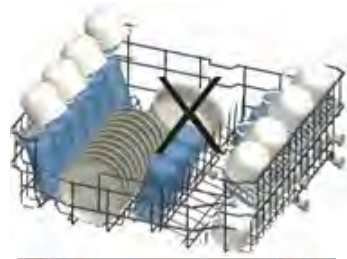
### Direct wash function

This function is used to wash glasses, bottles etc. by directing the water upwards while the apparatus on the upper basket (shown in the figure) is in vertical position. While the apparatus is in horizontal position, water is directed downwards, contributing to washing the lower basket.

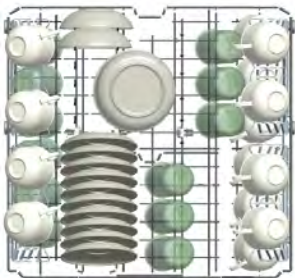


## Alternative Basket Placement Methods

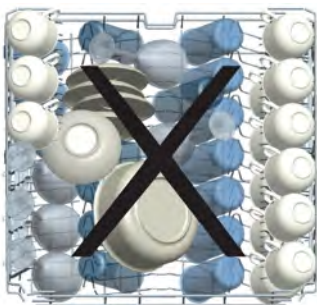
### Lower Basket



### Upper Basket



### Wrong Placement Methods



### Important Note For Test Organisations

For detailed information about performance tests, you can send a request e-mail to the address below:

**[dishwasher@standardtest.info](mailto:dishwasher@standardtest.info)**

Please include the model name and serial number (20 digits) of the appliance to be tested in your request e-mail. You can find this information on the plate label attached on the side of the door. You can ask for an electronic copy of this manual via the same e-mail above.

## Programme Definition

Programme no	1	2	3	4 (reference)	5
Programme name	Pre-wash	Jet Wash 14'	Quick 30'	Eco 50°C **	Dual Pro Wash
Washing Temperature	-	35°C	40°C	50°C	65°C
Food residue type	Slightly soiled; coffee, milk, tea (not left for a long time).	Slightly soiled; coffee, milk, tea (not left for a long time).	Slightly soiled; coffee, milk, tea, cold meat, vegetables (not left for a long time).	Slightly soiled; coffee, milk, tea, cold meat, vegetables (not left for a long time).	Soups, sauces, pastries, eggs, pilaf, potatoes and oven dishes, fries (left for a long time).
Soil level	Light	Light	Light	Medium	Heavy
Detergent amount B:25 cm <sub>3</sub> / A : 5 cm <sub>3</sub>	-	A	B	A+B	A+B
Detergent Type	Detergent cannot be used.	Powder: 25 cm <sub>3</sub> Gel	Powder: 25 cm <sub>3</sub> Gel	Powder: 25+5 cm <sub>3</sub> Tablet Capsule	Powder: 25+5 cm <sub>3</sub> Tablet Capsule
	Pre-wash	35°C Wash	40°C Wash	50°C Wash	40°C Wash
	End	Warm Rinse	Cold Rinse	Cold Rinse	65°C Wash
		End	Warm Rinse	Warm Rinse	Lukewarm Rinse
			End	Drying	Warm Rinse
				End	Drying
					End
Program duration (min)	15	14	30	207	113
Power Consumption (kWh/h)	0.02	0.57	0.74	0.66	1.43
Water Consumption (l)	4.2	6.6	10.9	9.0	15.4

**WARNING:** Jet Wash 14', Quick 30' and Super 50' programmes do not have a drying step. Tests in Off mode and Left On modes must be carried out when brightness is set to "Energy Save" according to EN 62301. The values declared above are values obtained in laboratory setting according to relevant standards. These values may vary depending on the product use and the environmental (mains voltage, water pressure, water inlet temperature and ambient temperature) conditions. \*\*Energy Save option is ON for the Eco 50°C programme

## Programme Definition

Programme no	6	7	8	9	10
Programme name	Super 50'	Auto Sensitive 30-50°C	Auto Normal 50-60°C	Auto Intensive 60-70°C	Steam Wash 65°C
Washing Temperature	65°C	30-50°C	50-60°C	60-70°C	65°C
Food residue type	Soups, sauces, pastries, eggs, pilaf potatoes, oven dishes, and fries left for a long time.	Temperature and amount of the washing water and the washing duration are automatically adjusted by detecting the soil level of the dishes.			
Soil level	Medium	Light	Heavy	Heavy	Heavy
Detergent amount B:25 cm <sup>3</sup> / A : 5 cm <sup>3</sup>	A+B	A	A+B	A+B	A+B
Detergent Type	Powder: 25 cm <sup>3</sup> Capsule	Powder: 25 cm <sup>3</sup> Gel	Powder: 25+5 cm <sup>3</sup> Tablet	Powder: 25+5 cm <sup>3</sup> Tablet	Powder: 25+5 cm <sup>3</sup> Tablet Capsule
	65°C Wash	Washing steps are determined automatically based on the soil level.			Pre-wash
	Lukewarm Rinse				65°C Wash
	Warm Rinse				Cold Rinse
	End				Lukewarm Rinse
					Warm Rinse
					Drying
			End		
Program duration (min)	50	77 -91	107 - 122	109 - 179	161
Power Consumption (kWh/h)	1.29	0.92	1.18	1.58	1.30
Water Consumption (l)	10.7	10.6 - 17.7	10.9-18.5	12.3 - 23.6	20.3

**Dual Pro Wash:** This program can wash sensitive/slightly soiled dishes and heavily soiled dishes at the same time. In this program, the upper spray arm rotates with low speed and the lower spray arm rotates with high speed. In this way, you can wash sensitive/slightly soiled dishes in the upper basket and heavily soiled dishes in the lower basket at the same time.

# Preparing the Machine for Use and Installation



When you operate your machine for the first time, the following menus will be shown on the display of the machine for you to make your initial settings:

- Language Selection
- Hour
- Minute
- Year
- Month
- Day
- Salt Level

## Language Selection

Language at the center of the screen is the one ready for selection. Use forward/backward keys located at the left and right hand sides of the display to change your selection. Press the confirm key (✓) on the bottom-right corner to save the language ready for selection.

## Hour

00:00 will be shown on the display. Change the first two digits from the left that are blue using forward/backward keys to set the hour. Press confirm to save the hour setting. Press the back (←) key found at the bottom-left corner of the display if you do not want to save. You will be redirected to the previous screen.

## Minute

Change the first two digits from the right that are blue using forward/backward keys to set the minute. Press confirm to save the minute setting. Press the back key if you do not want to save. You will be redirected to the previous screen.

## Year

Factory setting of your machine on the screen will be 2016. Press the forward key to change this selection. Press confirm to save the selection at the center of the screen or press back to return to previous screen without saving.

## Month

Factory setting of your machine on the screen will be 01. Press the forward key to change the month selection. Press confirm to save the selection or press back to return to the previous screen without saving.

## Day

Factory setting of your machine on the screen will be 01. Press the forward key to change the day selection. Press confirm to save the selection or press back to return to the previous screen without saving.

## Salt Level

Salt level of your machine will be 3 by default. Use forward/backward keys to change this setting. Press confirm to save the blue selection at the center of the screen or press back to return to the previous screen without saving.

The startup screen will be displayed for 5 seconds when you have saved your salt level setting.

# Programme Selection and Operating the Machine

## 1. On/Off Key

The machine will be energised when the On/Off key is pressed and held for 3 seconds and the screen will be turned on with the Eco 50°C programme. The machine will be switched off when you press and hold the On/Off key for 3 seconds again and the display will turn black.

## 2. Programme Key

It allows you to select the appropriate program.

## 3. Option Key

It allows you to use the functions in the additional functions menu.

## 4. Time Delay Key

It allows you to delay the starting time of the selected programme for a period between 30 minutes to 24 hours. You can see the delay time on the Remaining Time/Delay Time Indicator. "DELAY ACTIVE!" will be shown on the display when the delay function is selected.

## 5. Settings Key

You can navigate the settings menu by pressing the settings key before starting the programme.

## 6. Favorite Key

It allows you to enter the "FAVORITE" menu that includes 5 favourite programmes you have previously saved.

## 7. Start/Pause Key

When you press the Start/Pause key, the programme you have selected will start and the washing bar will be shown on the display. You can track the time remaining until the end of the washing on the display. If you press this key during an active program, the program will pause and the remaining time will stop. The program will resume when you press this key again.

## Additional options

### Extra Hygiene Option


You can select the hygiene option for dishes requiring extra hygiene and achieve a more hygienic wash by changing the washing temperature and duration of the current programme.


### Tablet Detergent Option

Please use the Tablet Detergent option when using combined detergents containing salt, rinse aid and extra features.


### Half Load Option

With the Extra Lower/Upper Function, three different washes can be performed, namely in the upper basket, lower basket and both baskets.

If you have a small amount of dishes you need to wash in the machine, you can activate the Extra Lower/Upper Basket function as an addition to some programs. If you have dishes in both baskets, select the Extra Lower and Upper Basket function option and the icon that lights up both figures .

If you have dishes only in the upper basket, select the Extra Upper Basket option to select the icon that lights up the upper figure . Thus, your machine will

perform washing in the upper basket, and a detailed washing cycle will be carried out by the extra water jet in the upper basket.

If you have dishes only in the lower basket, select the Extra Lower Basket option to select the icon that lights up the lower figure .

Thus, your machine will perform washing in the lower basket, and a 360° washing cycle will be carried out by the two extra water jets on the base. Make sure that there are no dishes in the upper basket while using this feature.

### **Extra Fast Option**

It increases the water pressure of the selected programme, thus shortens its duration and reduces the amount of water.

### **Extra Silent Option**

Allows for a sensitive and silent washing cycle by making the programme wash the dishes with lower pressure.

### **Extra Drying Option**

Using the extra drying option, you can have drier dishes by adding extra drying steps to the programme you have selected.

### **Energy Save Option**

Thanks to the energy save option, the automatic door opening mechanism will be activated when the programme is complete. Door will open for 10 cm when drying and rinsing is complete and the steam in the machine will be released for a better drying performance.



## Screen Dimming Mode

If you quickly touch the On/Off button, only the will dim, other operational functions (if any) will continue. The dimmed screen will turn on again when the selected program has ended, when any button on the machine is pressed or the machine is controlled via mobile app. If you press and hold the On/Off button for 3 seconds, the machine will turn off completely, and the remote connection (if any) will end.

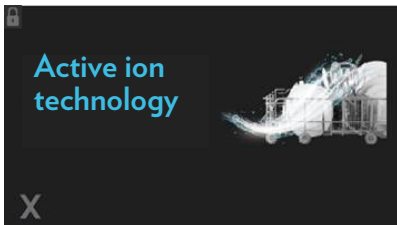


**NOTE:** You cannot select a program or option together with the ionizer.

## Active Ion Technology

If your machine has active ion technology, press and hold the option key for at least 3 seconds when the machine is in ready mode to activate/deactivate this function. Plus, if the machine is turned off and on again, ionizer function will be cancelled and the machine will be in ready mode.

If this function is active, the following screen will be displayed. If you press the cancel key on the lower left corner, ionizer cycle will be cancelled and the machine will return to ready mode.



If the door is opened while the active ion technology is functioning, the machine will give a “door open” warning, the ionizer function will stop and the ionizer light will flash. Once the door is closed again, ionizer cycle will resume where it left off.

## Warning Indicators

### Salt Lack Warning Indicator

"Lack of Salt" warning will be displayed when the softening salt in your machine is insufficient. When you see salt lack warning, fill the salt compartment.

### Rinse Aid Lack Warning Indicator

"Lack of Rinse Aid" warning will be displayed when the rinse aid in your machine is insufficient. When you see the rinse aid lack warning, fill the rinse aid compartment.

## Programme Selection and Operating the Machine

1. Press and hold the On/Off key for 3 seconds.

**NOTE:** Select the washing programme according to your dishes, using the programme report page provided in the user manual.

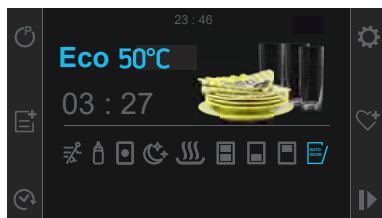
2. According to the eco design requirements, Eco 50°C program will be selected and the energy saving function will be active every time your machine is energised.

3. Select the desired programme by pressing the programme key successively.

**NOTE:** You can follow the programme duration from the time indicator.

4. You can use the options key to select additional options for your programmes.

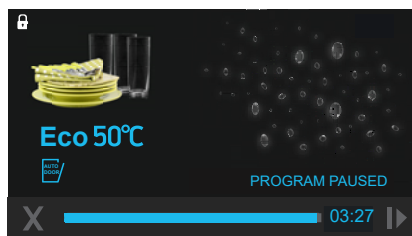
5. You can start the programme by pressing the Start/Pause key. "WASHING" will be shown on the display and the programme you have selected will start.





When the programme starts working, you can track the name of the programme on the display information line (1), the remaining time on the remaining time indicator (2), the progress of the programme on the washing bar (3), the options you have selected on the options indicator (4).

**NOTE:** Be careful not to open the door of the machine while it is running. If you need to open, pause the programme by pressing the Start/Pause key. "PROGRAM FINISHED!" warning will be shown on the display. You can open the door after you have seen this warning.



Steam may be released when you open the door of your machine. Be careful. Press the Start/Pause key again after closing the machine door. The programme will resume and the screen will display "WASHING" warning.

### Programme Monitoring

You can track the progress of the programme using the washing bar, remaining

time and program tracking expressions (washing, program finished) on the display. Do not open the door before you see the "PROGRAM FINISHED!" warning.

**NOTE:** If the door of the machine is opened or power gets disconnected during washing, the programme will resume when the door is closed or the power is supplied again.

**NOTE:** In order for the drying process to be performed more quickly, you may slightly open the machine door after a few minutes when the programme has ended and you have seen the "PROGRAM FINISHED" warning.

**NOTE:** Water softening process is performed in your machine depending on the hardness level of the mains water. Therefore, the remaining time on the display towards the end the programme in some washes can be different from the time shown at the beginning. Total duration of the washing programme may change during the programme depending on the room temperature, mains water temperature and the amount of dishes in the machine.

## Adding Additional Options to the Programme

You can change the programme you have selected according to your preferences by adding additional options. Washing programmes have been designed to achieve the best cleaning performance considering the soil type and the amount of your dishes and properties of the dishes. Additional options in the washing programmes have been created for you to save water and electricity and achieve a more comfortable washing according to the conditions specific to you. For example, if you think your dishes are slightly soiled, you can make the selected programme more economical using the Extra Fast Option and achieve time and water savings.

If you are going to use multipurpose detergent, you'll get a better drying performance when you use the tablet detergent option. If you are living in an area where power consumption is cheaper at night, you can achieve a more economical wash without the disturbing noise by setting your machine to the Extra Silent Option. Extra Silent Option has also been designed to perform a more sensitive washing for your dishes.

Additional Options are not suitable for all washing programmes. You can find the suitable options for the programmes below. You will notice that the option indicator will turn off if the option cannot be selected.

Programmes	Functions								
	Time Delay	Half load	Tablet	Child lock	Extra Quick	Extra Hygiene	Extra Silent	Extra Drying	Energy Saving
Pre-wash	✓	✓	-	✓	-	-	-	-	
Jet Wash 14'	✓	✓	-	✓	-	-	-	-	✓
Quick 30'	✓	✓	-	✓	-	-	-	✓	✓
Economical 50°C	✓	✓	✓	✓	✓	✓	✓	✓	✓
Dual Pro Wash	✓	✓	✓	✓	✓	✓	✓	✓	✓
Super 50'	✓	✓	✓	✓	-	✓	-	✓	✓
Auto Sensitive 30-50°C	✓	✓	✓	✓	-	✓	-	✓	✓
Auto Normal 50-60°C	✓	✓	✓	✓	-	✓	-	✓	✓
Auto Intensive 60-70°C	✓	✓	✓	✓	-	✓	-	✓	✓
Steam Wash	✓	✓	✓	✓	-	✓	-	✓	-

"-" Function cannot be selected "✓" function can be selected.

### To Add Options to the Programme;

1. Select the desired washing programme suitable for your dishes by pressing the programme key successively.
2. Press the options key to access the "OPTIONS" menu. The option icon at the center of the display is the one ready for selection. Bring the option you want to add to the programme using the Forward/Backward keys and press the confirm key. Icons of the selected additional option will turn blue.
3. Return to the ready position screen by pressing the backward key. This screen that shows the selected programme and options indicates that the machine is ready for washing.
4. You can start the programme by pressing the Start/Pause key. The screen will display "WASHING" warning. Some functions cannot be selected at the same time. You can check the chart below for this.

Options	Time Delay	Half load	Tablet	Child lock	Extra Quick	Extra Hygiene	Extra Silent	Extra Drying	Energy Saving
Time Delay	✓	✓	✓	✓	✓	✓	✓	✓	✓
Half load	✓	✓	✓	✓	✓	✓	✓	✓	✓
Tablet	✓	✓	✓	✓	✓	✓	✓	✓	✓
Child lock	✓	✓	✓	✓	✓	✓	✓	✓	✓
Extra Quick	✓	✓	✓	✓	✓	-	-	✓	✓
Extra Hygiene	✓	✓	✓	✓	-	✓	-	-	✓
Extra Silent	✓	✓	✓	✓	-	-	✓	✓	✓
Extra Drying	✓	✓	✓	✓	✓	-	✓	✓	✓
Energy Saving	✓	✓	✓	✓	✓	✓	✓	✓	✓

If you want to return to the ready position screen without selecting an additional programme, you can press the back key.

"-" Function cannot be selected "✓" function can be selected.

### Cancelling the Programme

1. Press the cancel key located on the left-hand side of washing bar to cancel a programme in progress.
2. The display will show "Program will be canceled. Could you confirm please?" warning.

Program will be canceled.  
Could you confirm please?

X CONFIRMATION OF CANCELLATION ✓

3. The programme will be cancelled when you press the confirm key on the bottom-right corner of the display and the display will show "CANCELLING".



4. 1 minute after the process begins, "PROGRAM FINISHED" warning will be displayed.

5. After this warning, you can select a new programme, additional options or time setting by pressing the back key.

**NOTE:** Detergent or rinse aid residues may be present in the machine or on the dishes being washed depending on the washing step of the programme you have canceled.

## Settings Menu

Press the settings key to access the settings menu. Menu contents are as follows;

1. Water hardness
2. Eco time
3. Eco mode
4. Time settings
5. Date setting
6. Voice settings
7. Brightness

8. Language
  9. Factory settings
- Press back to exit the menu.

**NOTE:** You can access the short details of the related menu by pressing the info key on the top right corner of the screen.

### 1. Water Hardness

This is the first setting you will see when you access menu settings. Water Hardness icon is at the center of the screen and "Water Hardness" expression is below it. Press confirm to enter the Water Hardness level menu. Salt Level is "3", shown in blue when you first start your machine. 1 is the lowest salt level and 6 is the highest. Select the new water hardness level by pressing the forward/backward key and press confirm. The new level selected will be saved to memory.

### 2. Eco time **e**

Eco time indicator shows the timeline when energy usage is efficient. Press the confirm key to access the Eco Time menu. Eco time range is between 22:00-06:00 when you first start your machine. Time on the left -hand side of the display shows the starting time and the one on the right-hand side shows the finishing time. Select the starting time section to set the starting time. Then press confirm. Starting time will turn blue. Select the new time by increasing/decreasing by one hour using the forward/backward key. Setting will not be saved when you press back key and the new starting time will be saved when you press confirm. Switch to the end time setting by pressing the forward key. Select the end time section to set the end time. Then

press confirm. End time will turn blue. Select the new time by increasing/decreasing by one hour using the forward/backward key. Setting will not be saved when you press the back key and the new end time will be saved when you press confirm. Thus, Eco time interval setting will be completed.

### 3. Eco mode

The internal illumination that is lit when you open the door of the machine when eco mode is active will turn off 4 minutes later and the machine will switch off 2 minutes after the program ends, in order to provide energy saving. The latest selected setting is blue in the eco mode menu. Select "Yes" with the forward/backward key to activate the eco mode and press confirm. Select "No" with the forward/backward key to deactivate the eco mode and press confirm. In this case, internal illumination will be lit as long as the door is open.

### 4. Time settings

Switch to "TIME SETTINGS" menu using the Forward/backward keys. When you enter the "TIME SETTINGS" by pressing confirm, hour section is selected. New hour can be set when you press confirm. You can select the desired hour by pressing Forward/Backward. The new hour is set by pressing confirm. The hour set will not be saved if you press back instead of confirm. Switch to the minute setting section by pressing forward. New minute can be set when you press confirm. You can select the desired minute by pressing Forward/Backward. The new minute is set by pressing confirm and the new hour setting will be saved. The minute set will not be

not saved if you press back instead of confirm.

### 5. Date settings

Switch to the "DATE SETTINGS" menu using the Forward/backward keys. When you enter "DATE SETTINGS" by pressing confirm, "DAY" section will be shown at first. Press confirm to change the day on the display. Change the selection using the "Forward/Backward" keys and press confirm to save.

Secondly, "MONTH" section will be shown when you press forward. Follow the steps you followed during the day setting to change the selection.

Finally, move to the "YEAR" section. Follow the steps you followed during day and month settings to change the selected year.

### 6. Voice settings

You can set the level of the audio warnings that your machine emits. Volume level is "2", shown in blue when you first start your machine. 0 is the silent level and 5 is the highest volume level. Select the desired volume level using forward/backward keys after entering the menu, and the newly selected volume level will be saved by pressing confirm.

### 7. Brightness

You can adjust the display brightness of your machine here. Brightness level is "2", shown in blue when you first start your machine. 0 is the lowest brightness level and 5 is the highest. Select the desired brightness level using forward/backward keys after entering the menu, and the newly selected level will be saved by pressing

confirm.

## 8. Language

Switch to the "LANGUAGE" menu using Forward/backward keys. Press confirm to enter the Language menu. Language selected in blue shows the selected language. Select the new language using forward/backward keys, and the newly selected language will be saved by pressing confirm.

## 9. Factory settings

Move to the "FACTORY SETTINGS" section using forward/backward keys. Press confirm to enter the "FACTORY SETTINGS" menu.

When you enter the menu, "Yes" will be selected and "All settings will be reset. Could you confirm please?" expression will be displayed when you confirm with the confirm key. Press cancel if you do not confirm. Press confirm if you confirm and your machine will return to the Factory settings. Factory settings menu will appear again. Your machine's factory settings are as follows;

- Favourite programmes are deleted
- Eco-mode is active
- Volume level is 2
- Display brightness level is 2
- Economical time interval is between 22:00-06:00
- Hour is 00:00
- Date is 01.01.2016

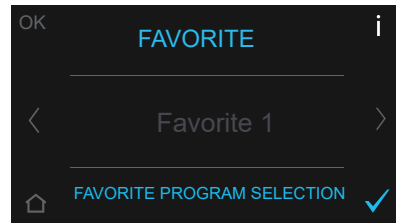
Your settings will not be changed if you select "No" and press confirm.

## Favourite Programme Setting

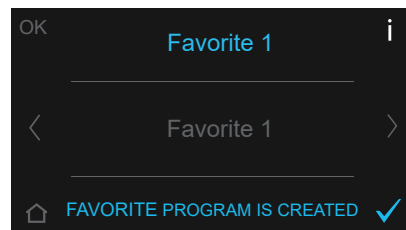
You can add the programmes and options that you consider are best for your dishes and you frequently use to the programmes

list in the favourites menu. To set your favourite programme;

1. Select the programme that you want to select with the programme key.
2. Add the suitable options for the wash using the options key if you want to add additional options to this programme.
3. When you press the favourites key after completing your programme and option selection, the screen below will be displayed.



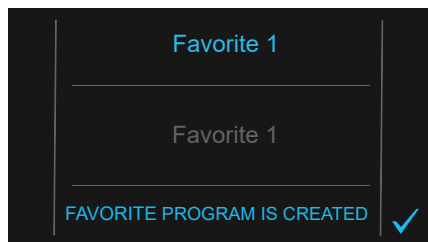
4. Use forward/backward keys to save the selection in any of the selections (Favourite1, Favourite2, Favourite3, Favourite4 and Favourite5).
5. Move Favourite1 to the center of the screen using forward/backward keys if you are going to save the selection to Favourite1.
6. Press the back key if you do not want to save.
7. If you want to save, press confirm. "Favorite program is created" warning will appear on the display.





8. You will be redirected to the favourite programme selection menu when you press confirm again.

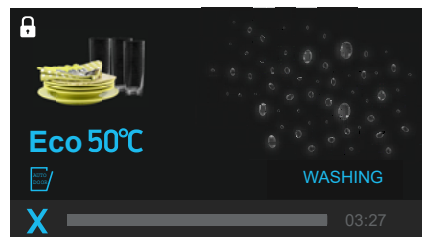
9. Press "OK" in the following screen to start the favourite programme you have set.



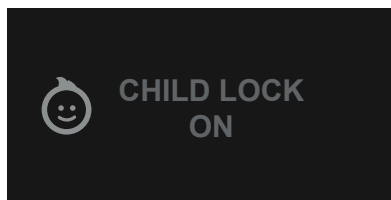
10. After you press "OK", your favourite programme and options you have added will be displayed on the screen.

## Child Lock

You can prevent others from changing your settings while your machine is operating. Press and hold the child lock key on the top left corner of the screen for 3 sec after the program has started.



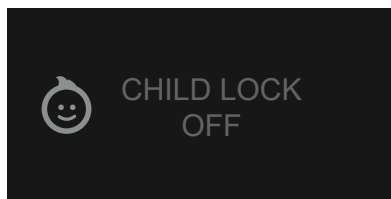
The child lock will be activated at the end of this time and the screen will show "Child lock on" and warning will be heard for 3 seconds.



Child lock indicator on the top left corner of the screen will turn to the locked position. All keys are non-functional when the child lock is active.

"Child lock on" warning will be displayed and a warning tone will be heard when you press a key when the child lock is active.

Press and hold the child lock key for 3 seconds to cancel the child lock. "Child lock off" warning will be displayed on the screen and a warning tone will be heard. Child lock indicator will turn to unlocked position.



## Time Delay for Wash Programme (Delay):

You can delay the starting time of the selected programme up to 24 hours. Delay setting cannot be made after the programme has started. The selected programme should not be started for you to set the delay time.

1. Press the delay key and increase delay for the time required for the delay.
2. Set the delay time to the desired time using forward/backward keys. Delay time is increased for 30 minutes with the forward key and decreased for 30 minutes with the backward key. Select the delay time by pressing the confirm key. You can start the delay time countdown by pressing the start/pause key. The display will show "Delay timer active", and the delay time and the programme time will be alternately shown on the display until the end of this time. The selected programme will start when countdown ends. The time required for the started programme to end will be shown on the indicator display. All keys except for On/Off and Delay keys will be disabled when delay is active.

### **If you want to cancel or set a new time when the machine is in delay**

Press the delay key to cancel the delay and press confirm by selecting "00:00" as the delay time. The display will show the latest selected programme and options. Delay time will not be shown.

Press the delay key again to set a new delay time. Select the new time using forward/backward keys and press the start/pause key to start the delay time.

### **Warning Messages**

Your machine gives some feedback through warning messages during operation;

When you see "Turn on the tap" warning;

1. Make sure water is not cut off.
2. Make sure the tap is open.

3. Call the authorised service if there is water and the tap is open.

When you see the messages above, error codes are stated before definitions. You can find these details in "Things to be Done in Case of Simple Failures" section of your manual.

## Cleaning and Maintenance

When the appliance is regularly cleaned, its service life will increase and the possibility of frequently experienced problems will be minimized.

Oil and lime may accumulate in the washing area of the appliance. In case of such accumulation,

— Fill the detergent section before placing dishes in the appliance and run the appliance by selecting a high temperature programme. Use special cleaning products available in the market if it is not sufficient. (Special cleaning products produced for these appliances by detergent manufacturers.)

### Cleaning door seals of the appliance

— Wipe the door seals using a damp cloth to clean deposits accumulated on door seals.

### Cleaning the Appliance

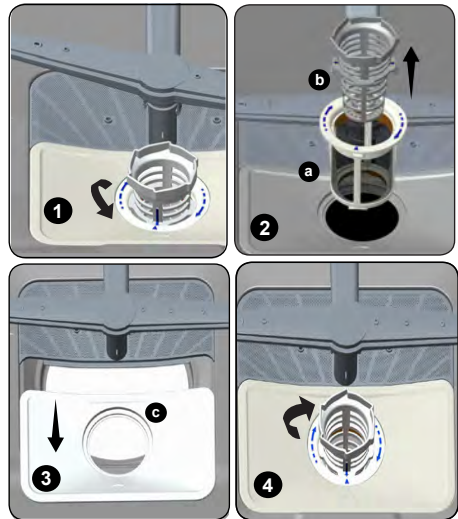
Clean filters and spray arms at least once a week. Unplug your device and close the tap before cleaning your appliance. Do not use abrasive materials (powder detergent, hard sponges) while cleaning your appliance. Wipe using a soft cleaning product and a damp cloth. Use a damp—cloth to wipe the control panel.

## Filters

Check if there are food residues on thick and thin filters. If there are food residues, remove filters and wash them under the tap thoroughly.

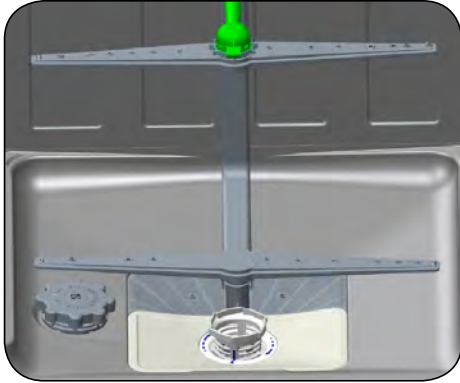
- a. Micro Filter
- b. Coarse Filter
- c. Metal/Plastic Filter

Turn the filter assembly counter-clockwise to remove and clean. (picture 1) Pull and remove metal/plastic filter. (picture 3) Then, pull and remove coarse filter from the inside of micro filter. (picture 2) Wash these three filters under the tap thoroughly. Replace metal/plastic filter. Place the coarse filter inside the micro filter by aligning the marks. Insert the micro filter inside metal/plastic filter, turn it in the direction of the arrow. Micro filter will be locked when the arrow on it is seen when looked straight. (picture 4)



Never use the dishwasher without filters.

- Failure to install filters correctly will reduce the effectiveness of washing.
- Filter cleaning is very important in terms of proper functioning of the appliance.



## Hose Filter

The filter on water inlet hose will prevent contamination (sand, clay, etc.) that may come from city network or your plumbing. Check the filter and the hose regularly and clean if required. Close the tap first and remove the hose to clean the filter. Remove the filter from the hose and clean it under running water. Replace the clean filter in its place in the hose. Replace the hose.

## Spray Arms

Check if top and bottom spray arm holes are clogged. If there is clogging remove spray arms and clean them under running water.

Remove the lower spray arm by pulling it up and the upper spray arm by turning the arm nut left.

When installing the top spray arm, make sure the nut is securely tightened.

## Troubleshooting

When you notice an abnormal situation in your appliance, you may attempt to troubleshoot according to the following descriptions. If your appliance does not still operate properly, contact to Vestel Call Center. You may access the authorized services list from the web site.

PROBLEM	CAUSE	SOLUTION
Programme does not start.	Power outage.	Wait for the power to come.
	On/off switch is not on.	Switch on your dishwasher.
	Fuse is burnt.	Replace the fuse.
	It is not plugged in.	Plug in the appliance.
	Appliance door is open.	Close the appliance door.
	Water inlet tap is closed.	Open the water inlet tap.
	Water inlet and appliance filters are clogged.	Clean water inlet and appliance filters.
There is still water in the appliance after programme ends.	Water discharging hose may be clogged or bent.	Clean objects causing the clogging and restart the appliance.
	Filters are clogged.	
	Program has not ended.	Wait for the end of the program.
Detergent residues in detergent container.	Detergent may be placed when the container is still wet.	Dry the detergent container by wiping with a dry cloth.

<b>PROBLEM</b>	<b>CAUSE</b>	<b>SOLUTION</b>
Vibration and impact sounds during washing.	Dishes are not placed correctly.	Place dishes correctly.
	Spray arm hits dishes.	
	Spray arms may not be installed.	Install spray arms.
There are food residues on dishes.	Sprayed water does not reach these areas.	Place dishes properly for them not to block each other.
	Dishes are leaning against each other.	
	Dishwasher basket is overloaded.	Place dishes properly, remove excessive dishes.
	Filters are clogged.	Open the filters by cleaning.
	Filters are not installed properly.	Install filters properly.
	Water discharge pump may be clogged.	Consult a service agent.
	Too little detergent.	Put the amount of detergent specified in the manual.
	Unsuitable detergent is used.	Use a different detergent brand.
	Spray arm is clogged with food residues.	Clean the spray arm.
An unsuitable, insufficient wash program is selected.	Select the programme suitable for your dishes referring to programme chapter in the manual.	

<b>PROBLEM</b>	<b>CAUSE</b>	<b>SOLUTION</b>
Appliance stops during washing.	Power cut.	Wait for the power to come.
	Program may be in stand-by mode.	Start the program by cancelling the standby mode.
	Problem in water inlet.	Check if water hose is clogged, clean the clogging.
Dishes have whitish spots.	Too little detergent.	Use required amount of detergent.
	Rinse aid setting is too low.	Increase rinse aid setting.
	Special salt is not used although water hardness is high.	Fill the appliance with salt produced specially for your dishwasher.
	Salt section cover is not closed.	Close the salt section cover. Make sure it is closed properly.
Dishes do not dry.	A programme with no drying process is selected.	Check the programme chapter in the manual and select a programme with drying process.
	Rinse aid dose is too low.	Increase rinse aid setting.
Dishes have rust marks.	Mains grounding is not proper.	Have an electrician check your mains grounding.
	Dishes have low stainless steel quality.	Make sure kitchenware used in the dishwasher have sufficient stainless steel quality.
	Washing water salt level is high.	Lower value of salt setting.
	Salt section cover is not closed.	Close the salt section cover. Make sure it is tightly closed.
	Salt might be overflowed inside the appliance during filling.	Make sure salt does not overflow during filling. Clean the excessive salt by wiping with a cloth.

## Things To Be Done In Case Of Simple Failures

Your appliance will report the cause of the error as an error code if it is in failure mode. Error codes will be displayed on the screen of your appliance. Following chart shows these error codes, their definitions and points to be checked.

ERROR CODE	ERROR DEFINITION	CONTROL
F5	Water inlet is inadequate	Make sure that the water inlet tap is completely turned on and the water is not cut off. Turn off the water inlet tap and clean the filter on the connecting terminal of the hose by removing the water inlet hose from the tap. Switch on your machine again and if the failure persists, consult a service agent.
F3	Continuous water intake failure	Close the tap Consult a service agent.
F2	The machine can no longer discharge the water.	The water discharging hose may be clogged. The filters of your machine may be clogged. Switch your machine off and on and enable the programme cancellation command If the failure persists, consult a service agent.
F8	Heater failure	Consult a service agent.
F1	The anti-overflowing alert is active	Turn off the appliance and close the tap. Consult a service agent.
F7	Overheating failure (the temperature inside the machine is too high)	Consult a service agent.
F9	Divisor position error	Consult a service agent.
F6	Temperature sensor is faulty	Consult a service agent.
FE	Electronic card parameter identification failure	As a result of very sudden and sustained voltage dips, the electronic card cannot keep the software variables in the memory. The programme will resume after being re-operated. The mains voltage must be checked.



## Product Information Slip

Manufacturer's name or trademark	MALLOCA
Product model	MDW14-S10TFT
Standard nominal capacity	14
Energy efficiency class	A+++
Annual energy consumption (AEC) (kWh/year) *	189
Energy consumption of the standard cleaning cycle (EC)	0.66
Off mode power consumption (W)	0.50
Left-on mode power consumption (W) (P <sub>i</sub> )	1.00
Duration of the left-on mode (T <sub>1</sub> ) (min)	15
Annual water consumption (AWC) (l/year) **	2520
Drying efficiency class ***	A
Standard program name ****	Economical 50°C
Standard program duration (min)	207
Acoustic noise emission dB (A)	44
Freestanding/Built-in	Freestanding

\* Calculated based on 280 standard cleaning cycles in cold water and energy consumption in low power modes is 189 kWh/year. Actual energy consumption may vary according to the use of the appliance.

\*\* Annual water consumption calculated based on 280 standard cleaning cycles is 2520 litres. Actual water consumption may vary depending on the use of the appliance.

\*\*\* Drying efficiency class is within the range from A, G (lowest efficiency) to A (most efficient).

\*\*\*\* Economical 50°C programme is suitable to clean averagely dirty kitchenware and it is the most efficient programme with combined energy and water consumption.

**MALLOCA VIETNAM COMPANY LIMITED**

**Showroom:**

279 Nguyen Van Troi Street, Ward 10, Phu Nhuan District, HCM City  
Tel: (84) 28 39975 893 / 94  
Fax: (84) 28 38447 102 - (84) 28 38633 882  
Email: info@malloca.com

**Customer Care:**

Hotline: 1800 12 12  
Email: chamsockh@malloca.com

**CÔNG TY TNHH MALLOCA VIỆT NAM**

**Showroom Malloca TP.Hồ Chí Minh:**

279 Đường Nguyễn Văn Trỗi, Phường 10, Quận Phú Nhuận, TP.HCM  
Điện Thoại: (84) 28 39975 893 / 94  
Fax: (84) 28 38447 102 - (84) 28 38633 882  
Email: info@malloca.com

**Showroom Malloca Hà Nội:**

10 Chương Dương Độ, Phường Chương Dương, Quận Hoàn Kiếm, Hà Nội  
SĐT: (024) 35376 288 – 093 462 92 98

**Showroom Malloca Đà Nẵng:**

211 Nguyễn Văn Linh, Phường Vĩnh Trung, Quận Thanh Khê, TP. Đà Nẵng  
SĐT: (0236) 369 1906  
451 Điện Biên Phủ, Phường Hòa Khê, Quận Thanh Khê, TP. Đà Nẵng SĐT:  
(0236) 7303 268

**Hệ thống chăm sóc khách hàng:**

Hotline: 1800 12 12  
Email: chamsockh@malloca.com

**Khu vực Bà Rịa Vũng Tàu**

258-260A Lê Hồng Phong, Phường 4, TP. Vũng Tàu  
SĐT: (0254) 385 94 99

**Khu vực Tây Nguyên**

331 Phan Đình Phùng, Phường 2, TP. Đà Lạt  
SĐT: (0263) 3521 107 – 0918226362

**Khu vực Nam Trung Bộ**

08 Lê Hồng Phong, Phường Phước Hải, TP. Nha Trang  
SĐT: (0258) 3875

**488 Khu vực Miền Tây**

180 Trần Hưng Đạo, Phường An Nghiệp, Quận Ninh Kiều, TP. Cần Thơ  
SĐT: (0292) 373

**2035 Khu vực Cà Mau**

180 T28 Lý Văn Lâm, Khóm 4, Phường 1, TP. Cà Mau  
SĐT: (0290) 3832 152



52345696 R35