



# Cooker Hood

## INSTRUCTION MANUAL

### MODEL

### MC 9039B - MC 9039W

## User Manual for Range Hood

Read this instruction manual carefully so that the product is installed and operated as specified in the manual.

### General Information

Our cooker hoods have undergone extensive quality checks by our expert and trained personnel before leaving the factory. However, should minor repairs or adjustments be required, it is advisable to contact our trained staff with the dealer from where the appliance was bought or our nearest customer care center.

Cooker hoods are designed to be fixed vertically, directly above the gas stove or electric hotplate and can be used either in extraction mode or in recirculation mode (available in some models).

### Features:

- a) Equipped with a strong motor and perfectly balanced impellers, it produces strong uniform suction at low noise level.
- b) The high efficiency multi layer anodized aluminium mesh filters are easy to remove and clean.
- c) The isolated low voltage circuit board control, 12V AC input ensures safety of the lights.
- d) The special wind tunnel construction sucks up oily fumes in seconds.

### Components

Refer to the packing slip in the packing box for a list of components of your cooker hood.

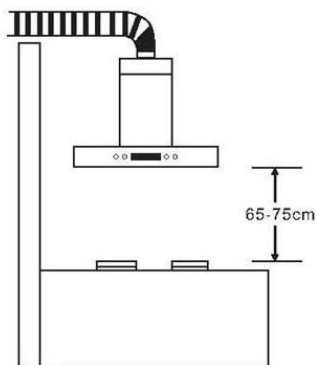
### Safety Warnings

- Ensure that the mains voltage corresponds to the voltage rating of this appliance.
- When installed, the cooker hood must be at distance of 70 cm to 75 cm above the cooking surface. If the installation instructions for the gas hob require a mounting height of the range hood > 70 cm, this larger distance must be kept.
- The cooker hood is for home use only and is not suitable for barbecue or other commercial purposes.
- It is dangerous to do flame cooking or leave frying pans unattended as overheated oils may catch fire.
- Do not flambé under the range hood.
- Prior to cleaning or carrying out any maintenance work, disconnect the appliance from the main power supply.
- Ensure that there is adequate supply of air in the kitchen where this appliance is installed.
- Faults if any should be attended to by technically qualified staff.
- The appliance is not to be used by children or persons with reduced physical, sensory or mental capabilities, or lack of experience and knowledge, unless they have been given supervision or instruction.
- Children being supervised not to play with the appliance.

- There shall be adequate ventilation of the room when the range hood is used at the same time as appliances burning gas or other fuels.
- The air must not be discharged into a flue that is used for exhausting fumes from appliances burning gas or other fuels.
- There is a fire risk if cleaning is not carried out in accordance with the instructions.
- When the appliance is working, it is recommended to keep ventilating for fulfilling the room with fresh air. Do not keep the room enclosed for long time if the range hood is used frequently.
- If the supply cord is damaged, it must be replaced by the manufacturer of its service agent or a similarly qualified person in order to avoid a hazard.
- About exhaust air emission please follow the local official regulations.

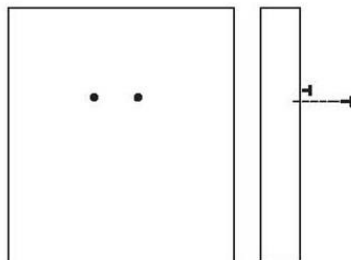
### Installation

- The air must not be discharged into a flue that is used for exhausting fumes from appliances burning gas or other fuels.
- The installation work must be carried out by a qualified and competent fitter. The manufacturer disclaims all liability for any damage or injury caused as a result of not following the instructions for installation and operation contained in the following text.
- Civil work for extraction mode should be done by mason as per marking given by the qualified fitter.
- For best performance the cooker hood should be installed at a distance of 70~75cm above the cooking surface.
- For proper installation, the following sequence is mandatory:
  1. Fixing the wall bracket.
  2. Fixing the canopy hood.
  3. Connecting to the power supply and test.
  4. Fitting the ducting.
  5. Fitting the telescopic chimney.



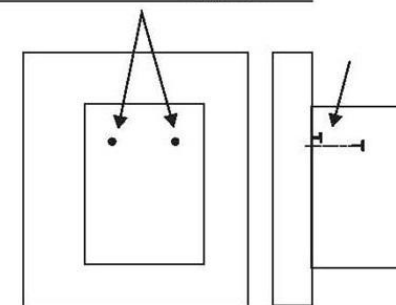
### Fixing the wall bracket:

- To ensure correct vertical alignment of the appliance, draw a vertical line on the wall from the center of the cooking appliance to the ceiling.
- Align the template provided with this appliance horizontally and mark holes to fit the wall brackets at the desirable heights. (Not applicable for some models)
- Pilot drill all holes as marked on the wall using 8 mm drill and fix the wall brackets using the plugs and screws provided.



### Fixing the canopy hood:

Hang the canopy hood on the wall bracket or screws and make necessary adjustments to ensure horizontal alignment.

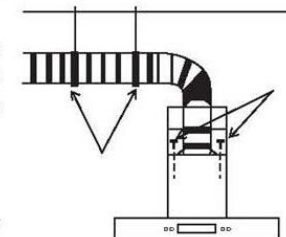


### Connecting to the power supply and test:

- Ensure that the voltage of the power supply matches that of the appliance.
- The supply cord must be well fixed that could not contact the sharp edge of the enclosure.
- Plug the appliance into the power supply socket.
- Clean the area of all dust and waste matter to avoid it being sucked into the chimney before testing.
- Check that the work top lights, motor and speed work properly.

### Fitting the ducting:

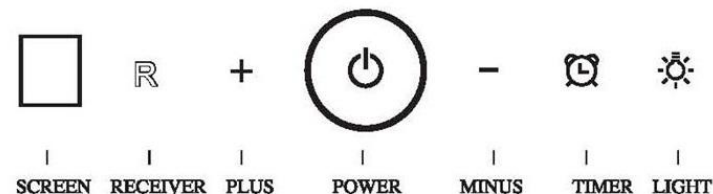
- The cooker hood can be ducted to the outside using a rigid or flexible fire retardant ducting of a suitable and matching size. In some models flexible ducting is provided.
- The installer should provide suitable ducting and sealing material for the installation.
- The ducting tube should run parallel to the wall up to the ducting hole and not be bent more than 90 degrees to ensure easy flow of extracted air. The length should not be more than 6m and 2 bend.



### Fitting the telescopic chimney:

- Place the telescopic chimney on the canopy hood or insert into the space provided for it.
- Fasten into place with the help of the wall bracket using two screw provided in the bag of accessories.

### Operation



1. Light - On/ Off for light
2. Power - On/ off for fan,  
When use the hoods, first touch the power, then the upper door begin to open.
3. Plus – for fan speed, total 5speed. When speed to 5, plus can't add more
4. Minus – for fan speed, total 5speed. When speed to 1, minus can't less more.
5. Timer – On/ off, when motor is working, timer is on or off.
6. Screen – Showing speed.
7. Receiver for remote control.

## Maintenance

Regular maintenance and cleaning will ensure good performance and extend the working life of the cooker hood.

Do not clean the appliance with strong abrasive liquids or acidic formulations.

Special attention should be paid to cleaning the filters regularly.

The filter mesh is made of intricately woven multi layer high density anodized aluminium to catch even the tiniest particle of oil in the fumes. Regular cleaning(once a week) of the filter will keep the pores open and enable the appliance to run efficiently.

The filter can be easily removed and cleaned in a dishwasher or by hand with a mild detergent or liquid soap.

Put the mesh in hot clean water, add detergent or liquid soap, allow to soak for 5 minutes, and clean with a soft brush. Do not apply too much pressure as the mesh is delicate and can damage easily.

In the case of recycling mode, the charcoal filters absorb all smells. The charcoal filter cannot be washed and should be replaced once every 3 months.

While cleaning the hood never use wet cloth or running water. Never use thinners or products containing alcohol or abrasive cleaning materials as they might damage the paintwork and stainless steel surfaces.

A damp cloth with a mild liquid household cleaner or detergent is recommended.

Keep the motor and other parts free of water as this can damage the appliance.

Remember to disconnect the appliance from the power supply before undertaking any cleaning.

## Abnormity and solution

Fault	Cause	Solution
Lights on, but motor doesn't work	The impeller blocked	Contact service agent
	The capacitor damaged	Contact service agent
	The motor jammed, bearing damaged	Contact service agent
	The internal wiring of motor burnt or a bad smell from the motor	Contact service agent
Light does not work, motor does not work	Light damaged	Replace lights
	Power cord loose	Check the plug and cord to make sure it's well connected to power supply
Vibration of the	The leaf damaged and causes shaking	Contact service agent

body	The motor is not properly locked	Contact service agent
	The body is not tightly hanged	Contact service agent
Insufficient suction	The distance between the body and the gas top too long	Mounted according to the installation instructions
	Too much ventilation from open doors or windows	Close doors or windows
	Filter choked	Clean filter
The machine in inclines	The fixing screw not tight enough	Check the mounting screws and ensure they are screwed securely
	The hanging screw not tight enough	Check the mounting screws and ensure they are screwed securely

## Warranty Terms & Conditions

1. Your appliance is warranted for a period of 24 months from the date of purchase.
2. The warranty extends to all parts against any manufacturing defect except glass, filters, bulbs, electrical cord, plug, and fitting used for installation.
3. The warranty excludes any damage to the surface paint or finish of the product that happens due to normal usage of the product.
4. This warranty does not cover damages traceable to alterations, unauthorized repairs, tampering or alteration of any part, failure to follow instructions in installation or operation, misuse or negligence in use of the cooker hood or damages caused by the act of god, lightning, fire or flood.
5. This warranty does not cover defects resulting from accidents or damage while in transit, or to our service center.
6. Defective cooker hood along with the valid warranty card and purchase bill has to be produced to the dealer or the authorized and designated service centre for rectification by the buyer at his own cost during working hours.
7. Whether defective item or components are to be replaced/repared shall be left to the sole discretion of importer. In case of replacement of a part, the defective part removed from the cooker hood becomes the property of importer.
8. The unit must be installed and operated strictly as per specifications given in the INSTALLATION MANUAL provided along with this product.
9. The warranty shall be void in cases where:
  - a. The unit is installed, opened, tampered or serviced by a person other than our authorized representative.
  - b. Damage to the equipment is caused due to abnormalities in the power supply.
  - c. Any modifications or structural changes are made to the appliance or if the appliance is not used as per the operating standards specified for the product.
  - d. The recommended periodic maintenance is not done.
  - e. Defective or sub standard parts are used instead of genuine spares.
  - f. Any damages/defects occur because of improper electrical circuits outside the appliance or by any electrical supply.
  - g. Any substandard detergent, rinse aid, salt has been used to clean the appliance.
  - h. The appliance is used for commercial purpose or at hotels, restaurants, hostel or