



BUILT-IN MICROWAVE OVEN

LÒ VI SÓNG ÂM TỬ

USER MANUAL

HƯỚNG DẪN SỬ DỤNG

Model: MW-820B

PRECAUTIONS TO AVOID POSSIBLE EXPOSURE TO EXCESSIVE MICROWAVE ENERGY

(a) Do not attempt to operate this oven with the door open since this can result in harmful exposure to microwave energy. It is important not to break or tamper with the safety interlocks.

(b) Do not place any object between the oven front face and the door or allow soil or cleaner residue to accumulate on sealing surfaces.

(c) **WARNING:** If the door or door seals are damaged, the oven must not be operated until it has been repaired by a competent person.

ADDENDUM

If the apparatus is not maintained in a good state of cleanliness, its surface could be degraded and affect the lifespan of the apparatus and lead to a dangerous situation.

Specifications

Model:	MW-820B
Rated Voltage:	230V~ 50Hz
Rated Input Power(Microwave):	1250 W
Rated Output Power(Microwave):	800 W
Rated Input Power(Grill):	1000 W
Oven Capacity:	20L
Turntable Diameter:	Ø 245 mm
External Dimensions:	595X343.5X388 mm
Net Weight:	15 kg

IMPORTANT SAFETY INSTRUCTIONS WARNING

To reduce the risk of fire, electric shock, injury to persons or exposure to excessive microwave oven energy when using your appliance, follow basic precautions, including the following:

1. Read and follow the specific: "PRECAUTIONS TO AVOID POSSIBLE EXPOSURE TO EXCESSIVE MICROWAVE ENERGY".
2. This appliance can be used by children aged from 8 years and above and persons with reduced physical, sensory or mental capabilities or lack of experience and knowledge if they have been given supervision or instruction concerning use of the appliance in a safe way and understand the hazards involved. Children shall not play with the appliance. Cleaning and user maintenance shall not be made by children unless they are older than 8 and supervised. Children less than 8 years of age shall be kept away unless continuously supervised.
3. Keep the appliance and its cord out of reach of children less than 8 years.
4. If the supply cord is damaged, it must be replaced by the manufacturer, its service agent or similarly qualified persons in order to avoid a hazard.
5. **WARNING:** Ensure that the appliance is switched off before replacing the lamp to avoid the possibility of electric shock.

6. WARNING: It is hazardous for anyone other than a competent person to carry out any service or repair operation that involves the removal of a cover which gives protection against exposure to microwave energy.
7. WARNING: Liquids and other foods must not be heated in sealed containers since they are liable to explode.
8. When heating food in plastic or paper containers, keep an eye on the oven due to the possibility of ignition.
9. Only use utensils that are suitable for use in microwave ovens.
10. If smoke is emitted, switch off or unplug the appliance and keep the door closed in order to stifle any flames.
11. Microwave heating of beverages can result in delayed eruptive boiling, therefore care must be taken when handling the container.
12. The contents of feeding bottles and baby food jars shall be stirred or shaken and the temperature checked before consumption, in order to avoid burns.
13. Eggs in their shell and whole hard-boiled eggs should not be heated in microwave ovens since they may explode, even after microwave heating has ended.
14. The oven should be cleaned regularly and any food deposits removed.
15. Failure to maintain the oven in a clean condition could lead to deterioration of the surface that could adversely affect the life of the appliance and possibly result in a hazardous situation.

16. Only use the temperature probe recommended for this oven. (for ovens provided with a facility to use a temperature-sensing probe.)

17. The microwave oven must be operated with the decorative door open. (for ovens with a decorative door.)

18. This appliance is intended to be used in household and similar applications such as:

-staff kitchen areas in shops, offices and other working environments;

-by clients in hotels, motels and other residential type environments;

-farm houses;

-bed and breakfast type environments.

19. The microwave oven is intended for heating food and beverages. Drying of food or clothing and heating of warming pads, slippers, sponges, damp cloth and similar may lead to risk of injury, ignition or fire.

20. Metallic containers for food and beverages are not allowed during microwave cooking.

21. The appliance shall not be cleaned with a steam cleaner.

22. Care should be taken not to displace the turntable when removing containers from the appliance. (For fixed appliances and built-in appliances being used equal or higher than 900mm above the floor and having detachable turntables. But this is not applicable for appliances with horizontal bottom hinged door.)

23. The microwave oven is intended to be used built-in.
24. Steam cleaner is not to be used.
25. Surface of a storage drawer can get hot.
26. **WARNING:** The appliance and its accessible parts become hot during use. Care should be taken to avoid touching heating elements. Children less than 8 years of age shall be kept away unless continuously supervised.
27. During use the appliance becomes hot. Care should be taken to avoid touching heating elements inside the oven.
28. **WARNING:** Accessible parts may become hot during use. Young children should be kept away.
29. The appliance must not be installed behind a decorative door in order to avoid overheating. (This is not applicable for appliances with decorative door.)
30. **WARNING:** When the appliance is operated in the combination mode, children should only use the oven under adult supervision due to the temperatures generated.
31. Do not use harsh abrasive cleaners or sharp metal scrapers to clean the oven door glass since they can scratch the surface, which may result in shattering of the glass.

READ CAREFULLY AND KEEP FOR FUTURE REFERENCE

To Reduce the Risk of Injury to Persons Grounding Installation

DANGER

Electric Shock Hazard
Touching some of the internal components can cause serious personal injury or death. Do not disassemble this appliance.

WARNING

Electric Shock Hazard
Improper use of the grounding can result in electric shock. Do not plug into an outlet until appliance is properly installed and grounded.

This appliance must be grounded. In the event of an electrical short circuit, grounding reduces the risk of electric shock by providing an escape wire for the electric current. This appliance is equipped with a cord having a grounding wire with a grounding plug. The plug must be plugged into an outlet that is properly installed and grounded.

Consult a qualified electrician or serviceman if the grounding instructions are not completely understood or if doubt exists as to whether the appliance is properly grounded. If it is necessary to use an extension cord, use only a 3-wire extension cord.

1. A short power-supply cord is provided to reduce the risks resulting from becoming entangled in or tripping over a longer cord.
2. If a long cord set or extension cord is used:
 - 1)The marked electrical rating of the cord set or extension cord should be at least as great as the electrical rating of the appliance.
 - 2)The extension cord must be a grounding-type 3-wire cord.
 - 3)The long cord should be arranged so that it will not drape over the counter top or tabletop where it can be pulled on by children or tripped over unintentionally.

CLEANING

Be sure to unplug the appliance from the power supply.

1. Clean the cavity of the oven after using with a slightly damp cloth.
2. Clean the accessories in the usual way in soapy water.
3. The door frame and seal and neighbouring parts must be cleaned carefully with a damp cloth when they are dirty.
4. Do not use harsh abrasive cleaners or sharp metal scrapers to clean the oven door glass since they can scratch the surface, which may result in shattering of the glass.
5. Cleaning Tip---For easier cleaning of the cavity walls that the food cooked can touch: Place half a lemon in a bowl, add 300ml (1/2 pint) water and heat on 100% microwave power for 10 minutes. Wipe the oven clean using a soft, dry cloth.

UTENSILS

CAUTION

Personal Injury Hazard

It is hazardous for anyone other than a competent person to carry out any service or repair operation that involves the removal of a cover which gives protection against exposure to microwave energy.

See the instructions on "Materials you can use in microwave oven or to be avoided in microwave oven."

There may be certain non-metallic utensils that are not safe to use for microwaving. If in doubt, you can test the utensil in question following the procedure below.

Utensil Test:

1. Fill a microwave-safe container with 1 cup of cold water (250ml) along with the utensil in question.
2. Cook on maximum power for 1 minute.
3. Carefully feel the utensil. If the empty utensil is warm, do not use it for microwave cooking.
4. Do not exceed 1 minute cooking time.

Materials you can use in microwave oven

Utensils	Remarks
Browning dish	Follow manufacturer's instructions. The bottom of browning dish must be at least 3/16 inch (5mm) above the turntable. Incorrect usage may cause the turntable to break.
Dinnerware	Microwave-safe only. Follow manufacturer's instructions. Do not use cracked or chipped dishes.
Glass jars	Always remove lid. Use only to heat food until just warm. Most glass jars are not heat resistant and may break.
Glassware	Heat-resistant oven glassware only. Make sure there is no metallic trim. Do not use cracked or chipped dishes.
Oven cooking bags	Follow manufacturer's instructions. Do not close with metal tie. Make slits to allow steam to escape.
Paper plates and cups	Use for short-term cooking/warming only. Do not leave oven unattended while cooking.
Paper towels	Use to cover food for reheating and absorbing fat. Use with supervision for a short-term cooking only.
Parchment paper	Use as a cover to prevent splattering or a wrap for steaming.
Plastic	Microwave-safe only. Follow the manufacturer's instructions. Should be labeled "Microwave Safe". Some plastic containers soften, as the food inside gets hot. "Boiling bags" and tightly closed plastic bags should be slit, pierced or vented as directed by package.
Plastic wrap	Microwave-safe only. Use to cover food during cooking to retain moisture. Do not allow plastic wrap to touch food.
Thermometers	Microwave-safe only (meat and candy thermometers).
Wax paper	Use as a cover to prevent splattering and retain moisture.

Materials to be avoided in microwave oven

Utensils	Remarks
Aluminum tray	May cause arcing. Transfer food into microwave-safe dish.
Food carton with metal handle	May cause arcing. Transfer food into microwave-safe dish.
Metal or metal-trimmed utensils	Metal shields the food from microwave energy. Metal trim may cause arcing.
Metal twist ties	May cause arcing and could cause a fire in the oven.
Paper bags	May cause a fire in the oven.
Plastic foam	Plastic foam may melt or contaminate the liquid inside when exposed to high temperature.
Wood	Wood will dry out when used in the microwave oven and may split or crack.

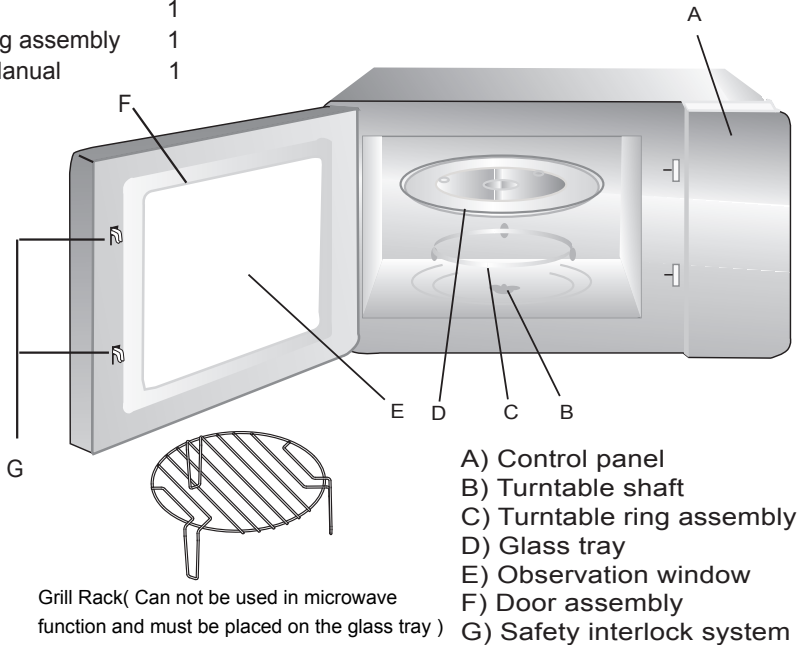
SETTING UP YOUR OVEN

Names of Oven Parts and Accessories

Remove the oven and all materials from the carton and oven cavity.

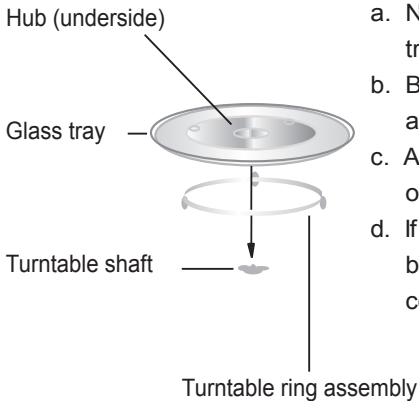
Your oven comes with the following accessories:

Glass tray	1
Turntable ring assembly	1
Instruction Manual	1



- A) Control panel
- B) Turntable shaft
- C) Turntable ring assembly
- D) Glass tray
- E) Observation window
- F) Door assembly
- G) Safety interlock system

Turntable Installation



- a. Never place the glass tray upside down. The glass tray should never be restricted.
- b. Both glass tray and turntable ring assembly must always be used during cooking.
- c. All food and containers of food are always placed on the glass tray for cooking.
- d. If glass tray or turntable ring assembly cracks or breaks, contact your nearest authorized service center.

Installation and connection

- 1.This appliance is only intended for domestic use.
- 2.This oven is intended for built-in use only. It is not intended for counter-top use or for use inside a cupboard.
3. Please observe the special installation instructions.
- 4.The appliance can be installed in a 60cm wide wall-mounted cupboard.
- 5.The appliance is fitted with a plug and must only be connected to a properly installed earthed socket.
- 6.The mains voltage must correspond to the voltage specified on the rating plate.
- 7.The socket must be installed and connecting cable must only be replaced by a qualified electrician.
- 8.Adapters, multi-way strips and extension leads must not be used. Overloading can result in a risk of fire.

The accessible surface may be hot during operation.



Installation Instructions

Please Read the Manual Carefully Before Installation

Please note

Electrical connection

The oven is fitted with a plug and must only be connected to a properly installed earthed socket. The socket must only be installed and the connecting cable must only be replaced by a qualified electrician, and in accordance with the appropriate regulations.

If the plug is no longer accessible following installation, an all-pole isolating switch must be present on the installation side with a contact gap of at least 3 mm.

The fitted cabinet must not have a back wall behind the appliance.

A gap must be maintained between the wall and the base of the unit above. Specific gap size could be referenced by the diagrams.


Minimum installation height: 85 cm.

Do not cover ventilation slots and suction holes.

Note:

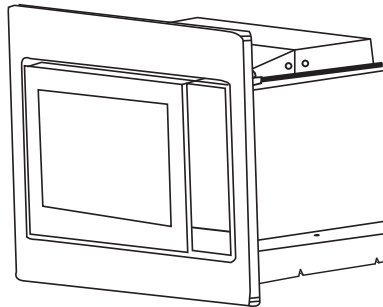
Do not trap or bend the power cable.

 Screw A

 Screw B

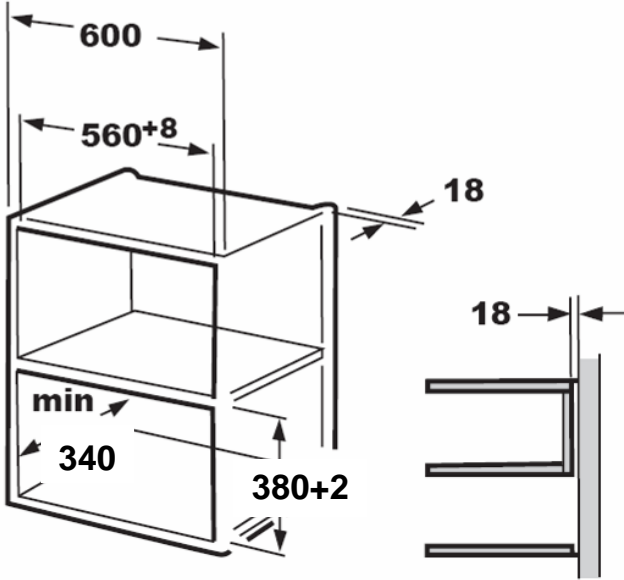
 Mounting Plate


Trim-kit plastic cover

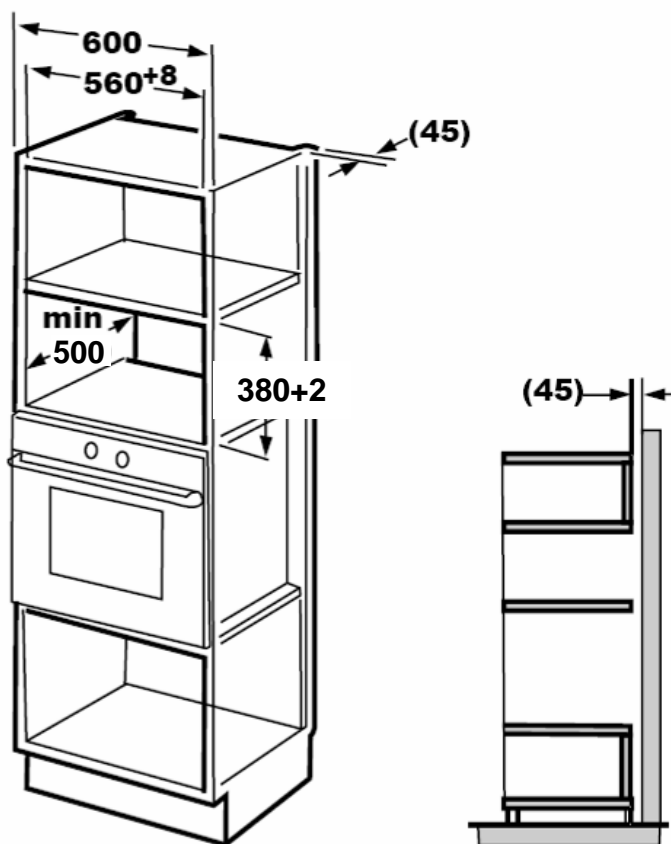


A. Built-in furniture

1.



2.

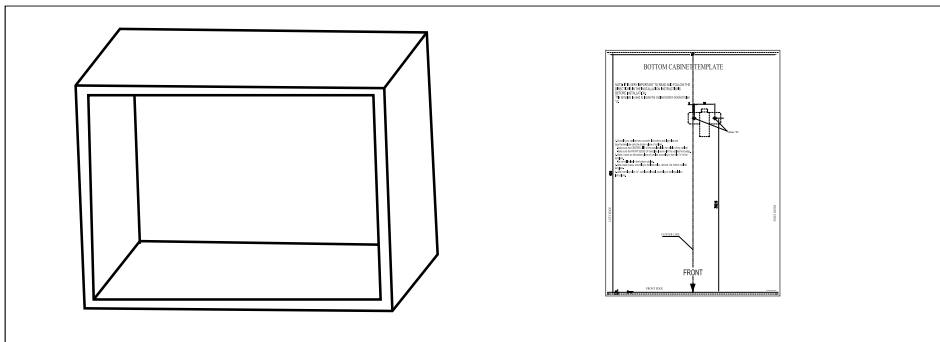


Note:

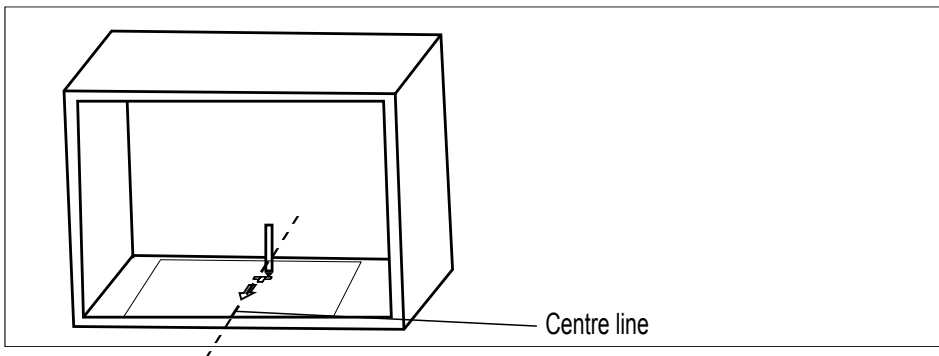
The bracket and bottom cabinet template are needed when installing in both installations.

B.Prepare the cabinet

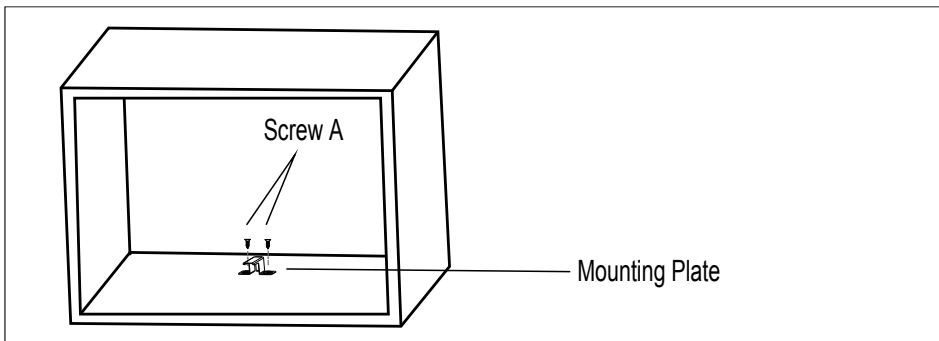
1. Read the instruction on the **BOTTOM CABINET TEMPLATE** , put the template on the bottom plane of cabinet.



2. Make the marks on the bottom plane of cabinet according to marks "a" of the template



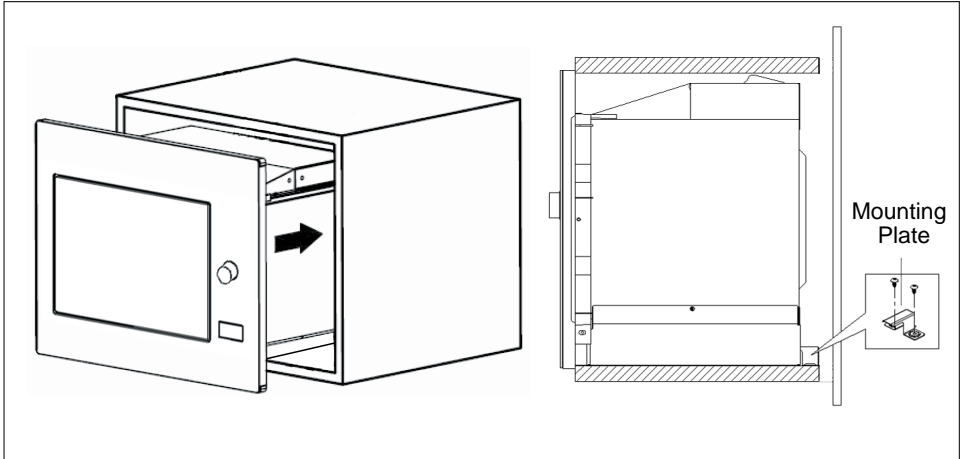
3. Remove the bottom cabinet template and fix the mounting plate with screw A.



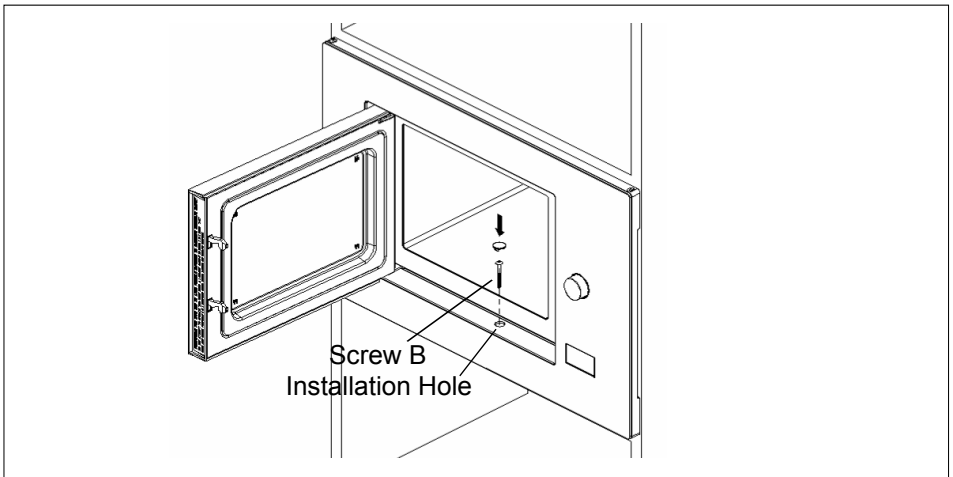
C. Install the oven

4. Install the oven to the cabinet

- Make sure the back of the oven is locked by mounting plate.
- Do not trap or kink the power cord.

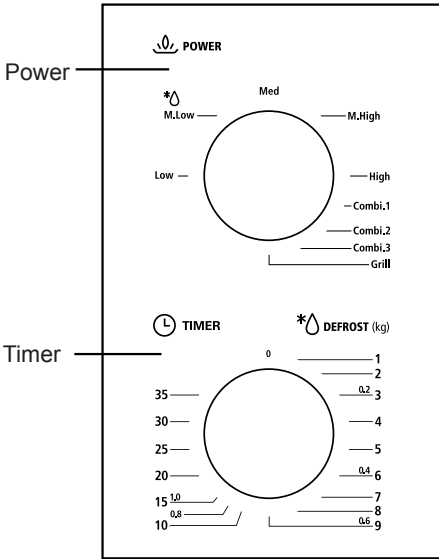


5. Open the door, fix the oven to the cabinet with Screw B, at the installation hole. Then fix the Trim-kit plastic cover to the installation hole.



OPERATION

Control Panel and Features Operation Instructions



1. To set cooking power by turning the power knob to desired level.
2. To set the time of cooking by turning the timer knob to desired time per your food cooking guide.
3. The microwave oven will automatically start cooking after power level and time are set.
4. After the cooking time is up, the unit will "Dong" to stop.
5. If the unit is not in use, always set time to "0".

Function/Power	Output	Application
Low	17% micro.	Soften ice cream
Med. Low (Defrost)	33% micro.	Soup stew, soften butter or defrost
Med.	55% micro.	Stew, fish
Med. High	77% micro.	Rice, fish, chicken, ground meat
High	100% micro.	Reheat, milk, boil water, vegetables, beverage

Function/Power	Output	Application
Combi.1	80% grill 20% micro.	Sausage, Lamb, Kabobs, Seafood, Steak
Combi.2	70% grill 30% micro.	Chicken pieces, Chicken breasts, Pork chops
Combi.3	60% grill 40% micro.	Whole chicken
Grill	100% grill	Baken bread, Slice food

Notice: When removing food from the oven, please ensure that the oven power is switched off by turning the timer switch to 0 (zero). Failure to do so, and operating the microwave oven without food in it, can result in overheating and damage to the magnetron.

Trouble shooting

Normal	
Microwave oven interfering TV reception	Radio and TV reception may be interfered when microwave oven operating. It is similar to the interference of small electrical appliances, like mixer, vacuum cleaner, and electric fan. It is normal.
Dim oven light	In low power microwave cooking, oven light may become dim. It is normal.
Steam accumulating on door, hot air out of vents	In cooking, steam may come out of food. Most will get out from vents. But some may accumulate on cool place like oven door. It is normal.
Oven started accidentally with no food in.	It is forbidden to run the unit without any food inside. It is very dangerous.

Trouble	Possible Cause	Remedy
Oven can not be started.	(1) Power cord not plugged in tightly.	Unplug. Then plug again after 10 seconds.
	(2) Fuse blowing or circuit breaker works.	Replace fuse or reset circuit breaker (repaired by professional personnel of our company)
	(3) Trouble with outlet.	Test outlet with other electrical appliances.
Oven does not heat.	(4) Door not closed well.	Close door well.



According to Waste of Electrical and Electronic Equipment (WEEE) directive, WEEE should be separately collected and treated. If at any time in future you need to dispose of this product please do NOT dispose of this product with household waste. Please send this product to WEEE collecting points where available.

H< B`HF B; `HF 7`?<=G `8 B; `@` `J=Gé B;

G&D\$@}*Á &Áç }Á@} @Áf!Áçã5}*Á @Á& æÁf!Á æ}*Á
{ Á!Á&5Á@ Á é^Á *~^Á@{ Á }Áç Á5}*Áçã5}*Á Æã ~Á
~ æÁç }*ÁeÁ@}*Á -}Á@æ Á æ& Á& ~Æ& ~Áç [Á& æ
 \ @ | Áæ Áç e) Á& æÁf!Áçã5}*Á ÆÁ

G&D\$@}*Á &Á çÁ óÁ!Áç óÁ!Á giữa mặt trước lò và cửa
lò, không để bụi bẩn và các cạnh dính trên gioăng cửa.

G&DÍO ƆPÁÓ7UÁ ˘Á& æÁf!Á Á @ | Áç &Á Á@ Á@}*Áç ~Áf!}*Á
|ã}Á@Áç æÁ @)Áçã}Á Á@ óÁ Áã}Á@} @Á æÁ&@ æÁ&@
@Á ÆÁ

Phụ Lục

Ɔ ˘Á@ç óÁ Á | @}*Á &Áá [Áá]*Á ÆÁ [Áç!Áç@ }*Á
ç˘-}ÆÓ Á óÁç óÁ Á&5Á@ Á Á@ Á@}*Á ÆÁ } @Á }*Á }Á
ç æÁ@Á& æÁç óÁ ÆXéÁ&5Á@ Á }Á }Áç } @Á }*Á *~^Á
@ { É

Thông số kỹ thuật

Model:	MW-820B
Điện áp:	230V~ 50Hz
Công suất Input (Microwave):	1250 W
Công suất Output (Microwave):	800 W
Công suất Input (Nướng):	1000 W
Thể tích:	20L
Đường kính đĩa xoay:	Ø 245 mm
Kích thước tổng thể:	595X343.5X388 mm
Khối lượng tịnh:	15 kg

THÔNG TIN HƯỚNG DẪN CẢNH BÁO AN TOÀN QUAN TRỌNG

Để hạn chế các nguy cơ xảy ra điện giật, hoả hoạn hay các nguy hiểm khác cho người sử dụng hoặc do tác động bên ngoài ảnh hưởng đến lò vi sóng, vui lòng đọc các cảnh báo an toàn bên dưới:

1. Vui lòng đọc kỹ “ THÔNG TIN HƯỚNG DẪN CẢNH BÁO AN TOÀN QUAN TRỌNG”.
2. Thiết bị được sử dụng bởi trẻ em có độ tuổi từ 8 tuổi trở lên. Đối với người bị hạn chế khi sử dụng thì cần được hướng dẫn. Chỉ cho phép trẻ em sử dụng lò khi có người lớn giám sát hoặc khi đã hướng dẫn đầy đủ để trẻ em sử dụng lò một cách an toàn và hiểu được những nguy hiểm do sử dụng sai.
3. Giữ thiết bị và dây điện tránh xa trẻ em dưới 8 tuổi.
4. Nếu dây nguồn bị hỏng, nó phải được thay thế bởi nhà sản xuất hoặc đại lý dịch vụ hoặc những người có trình độ tương tự để tránh gây nguy hiểm.
5. CẢNH BÁO: Đảm bảo thiết bị đã được tắt trước khi thay đèn để tránh khả năng bị điện giật.
6. CẢNH BÁO: Lò vi sóng nguy hiểm cho bất kỳ ai không có chuyên môn tiến hành sửa chữa hoặc bảo dưỡng mà phải tháo tấm đậy ra vì tấm đậy này dùng để bảo vệ chống rò năng lượng vi sóng.
7. CẢNH BÁO: Không đun nóng chất lỏng và các thực phẩm khác trong hộp kín vì chúng có khả năng phát nổ.

8. Khi đun nóng thức ăn đựng trong hộp nhựa hoặc giấy, cần chú ý theo dõi vì hộp có thể bị cháy.
9. Chỉ sử dụng các dụng cụ phù hợp với lò vi sóng.
10. Nếu thấy khói thì cắt điện hoặc rút phích cắm và giữ cửa ở trạng thái đóng để dập tắt lửa nếu có.
11. Lò vi sóng làm nóng đồ uống có thể dẫn đến việc đun sôi chậm, do đó phải cẩn thận khi xử lý hộp đựng.
12. Phải khuấy hoặc lắc thức ăn trong bình sữa và các bình thức ăn cho trẻ nhỏ và phải kiểm tra nhiệt độ trước khi dùng để tránh bị bỏng.
13. Không nên đun trứng nguyên vỏ và trứng luộc nguyên quả trong lò vi sóng vì trứng có thể vỡ ngay cả khi đã ngừng đun bằng lò vi sóng.
14. Lò vi sóng nên được vệ sinh thường xuyên và tất cả các thức ăn còn thừa lại bên trong khoang lò nên được loại bỏ.
15. Việc không bảo quản lò trong điều kiện sạch sẽ có thể dẫn đến việc hư hỏng bề mặt hoặc ảnh hưởng xấu đến thiết bị và có thể dẫn đến các tình huống nguy hiểm.
16. Chỉ sử dụng đầu dò khuyến nghị đối với lò này. (Đối với lò được cung cấp với một cơ sở để sử dụng đầu dò cảm biến nhiệt độ).
17. Lò vi sóng chỉ áp dụng vận hành với mô hình lắp âm tủ, không áp dụng lắp âm hoàn toàn.

18. Thiết bị phù hợp cho việc sử dụng ở nhà dân dụng và một số nơi phù hợp như là:
- Phòng ăn ở shops, văn phòng hoặc các môi trường công sở.
 - Khách sạn, nhà nghỉ, căn hộ cho thuê...
 - Nông trại
19. Lò vi sóng được thiết kế để hâm nóng thức ăn và đồ uống. Sử dụng lò với mục đích khác có thể gây nguy hiểm hoặc dẫn đến hỏa hoạn.
20. Hộp kim loại đựng thức ăn và đồ uống không phù hợp với lò vi sóng.
21. Thiết bị không được làm sạch bằng chất tẩy rửa kim loại.
22. Cần chú ý không làm dịch chuyển đĩa xoay khi lấy thức ăn khỏi thiết bị. (Đối với các thiết bị cố định và các thiết bị âm tủ nên được sử dụng ở độ cao bằng hoặc cao hơn 900mm so với sàn và có đĩa xoay có thể tháo rời. Nhưng điều này không áp dụng cho thiết bị có cửa có bản lề đáy nằm ngang.
23. Lò vi sóng được lắp đặt âm.
24. Không nên vệ sinh bằng hơi nước.
25. Bề mặt trong khoang lò có thể nóng lên.
26. **CẢNH BÁO:** Thiết bị và các bộ phận lân cận có thể nóng lên trong quá trình sử dụng. Cần cẩn thận khi chạm vào các bộ phận nóng. Trẻ em dưới 8 tuổi nên được giữ tránh xa lò hoặc luôn được giám sát.

27. Trong quá trình sử dụng, thiết bị sẽ nóng lên, cần thận khi chạm vào các bộ phận bên trong thiết bị.
28. CẢNH BÁO: Các bộ phận liên quan có thể nóng lên. Tránh xa tầm tay trẻ em.
29. Thiết bị không được lắp đặt âm hoàn toàn để tránh tình trạng quá nóng. (Điều này không áp dụng cho các thiết bị có tấm cửa trang trí cho mô hình lắp âm hoàn toàn).
- 30.CẢNH BÁO: Khi vận hành ở chế độ kết hợp, trẻ em chỉ nên sử dụng lò dưới sự giám sát của người lớn.
31. Không sử dụng các chất tẩy rửa có tính ăn mòn cao hoặc các vật dụng sắc nhọn để làm sạch kính cửa lò, vì chúng có thể làm trầy xước bề mặt, có thể dẫn đến vỡ kính.

**ĐỌC KỸ HƯỚNG DẪN VÀ GIỮ LẠI ĐỂ THAM KHẢO
VỀ SAU**

Hạn Chế Nguy Hiểm Kết Nối Đất

NGUY HIỂM

Nguy hiểm điện giật khi chạm vào một số bộ phận bên trong có thể gây ra nguy hiểm. Vì vậy không nên tháo rời các bộ phận bên trong ra khỏi thiết bị.

CẢNH BÁO

Nguy cơ bị điện giật

Sử dụng không đúng cách dây nối đất có thể gây giật điện. Không được cắm điện vào ổ cắm cho đến khi thiết bị được lắp đặt đúng cách.

Thiết bị này cần được nối đất. Trong trường hợp bị sự cố điện, việc nối đất làm giảm nguy cơ bị điện giật bằng cách làm giảm thoát cho dòng điện. Thiết bị này được trang bị một dây có dây nối đất với phích cắm. Phích cắm phải được lắp với ổ cắm thích hợp với tiêu chuẩn và nối đất.

Cần được sự hướng dẫn của nhân viên kỹ thuật hoặc nhân viên chăm sóc khách hàng để hiểu rõ vận hành. Nếu có nghi ngờ về nối đất không đúng cách hoặc kết nối dây vui lòng liên hệ trung tâm chăm sóc khách hàng. Nếu cần thiết phải sử dụng dây mở rộng, chỉ sử dụng duy nhất một đầu chuyển 3 chấu.

1. Sử dụng dây điện ngắn để hạn chế việc vướng vào hoặc vấp phải dây dài hơn.
2. Nếu một bộ dây dài hoặc dây mở rộng được sử dụng:
 - 1) Xếp hạng điện được đánh dấu của bộ dây hoặc dây kéo dài ít nhất bằng giá trị điện của thiết bị.
 - 2) Dây nối dài phải là dây nối đất 3 dây.
 - 3) Dây dài phải được sắp xếp sao cho nó không rủ trên mặt bàn hoặc mặt bàn là nơi có thể kéo bởi trẻ em hoặc vấp ngã ngoài ý muốn.

VỆ SINH

Đảm bảo rằng phích cắm đã rút khỏi nguồn điện

1. Vệ sinh bên trong khoang chứa sau khi sử dụng bằng một miếng vải ướt mềm.
2. Làm sạch các phụ kiện đi kèm bằng nước xà phòng.
3. Khung cửa, kính và các bộ phận xung quanh phải được làm sạch cẩn thận bằng vải ẩm khi bẩn.
4. Không sử dụng các chất vệ sinh gây mài mòn hoặc chà mạnh bằng miếng kim loại trên tấm kính cửa lò vì có thể gây xước bề mặt, và có thể gây nên vỡ kính.
5. Mẹo làm sạch: Để dễ dàng làm sạch bên trong khoang lò. Đặt một nửa trái chanh vào trong một cái chén, và đổ thêm khoảng 300ml nước và bật lò vi sóng chạy với công suất 100% trong vòng 10 phút. Lau sạch lò bằng vải mềm, khô.

TIỆN ÍCH

THẬN TRỌNG

Nguy hiểm thương tích cá nhân

Nguy hiểm cho bất kỳ ai khác ngoài những nhân viên kỹ thuật khi thực hiện bất kỳ hoạt động sửa chữa nào liên quan đến việc tháo vỏ bọc bảo vệ chống lại năng lượng của vi sóng.

Xem hướng dẫn "Vật liệu bạn có thể sử dụng hoặc nên tránh khi sử dụng lò vi sóng". Có thể có những dụng cụ phi kim loại không an toàn sử dụng cho lò vi sóng. Nếu nghi ngờ, bạn có thể kiểm tra dụng cụ theo câu hỏi dưới đây:

Kiểm tra đồ dùng:

1. Đổ đầy bình chứa với 1 cốc nước (250ml) với dụng cụ bạn đang thắc mắc.
2. Nấu với công suất tối đa trong 1 phút.
3. Cẩn thận với từng loại dụng cụ. Nếu dụng cụ không chứa đựng thức ăn, không để lò vi sóng hoạt động.
4. Không nấu quá 1 phút.

Chất liệu có thể sử dụng ở lò vi sóng

Dụng cụ	Lưu ý
Đĩa nướng	Làm theo hướng dẫn của nhà sản xuất. Phía dưới đĩa nướng phải có chân để cách đĩa xoay ít nhất là 5mm. Việc sử dụng không đúng cách có thể làm đĩa xoay bị hỏng.
Bát đĩa	Sử dụng theo hướng dẫn. Không sử dụng các bát đĩa bị hỏng, nứt.
Lọ thủy tinh	Chỉ sử dụng để hâm nóng thức ăn. Các lọ thủy tinh hầu hết đều không thể chịu nhiệt và dễ vỡ.
Đĩa thủy tinh	Sử dụng các thủy tinh chịu nhiệt. Không nên sử dụng các đĩa thủy tinh bị nứt
Túi sử dụng lò vi sóng	Theo chỉ định của nhà sản xuất. Không nên để vào bên trong dây xoắn kim loại.
Đĩa giấy và ly giấy	Sử dụng nấu, hâm nóng trong thời gian ngắn. Nên kiểm tra thường xuyên trong khi nấu.
Giấy vệ sinh	Sử dụng để bao bọc thức ăn trước khi gia nhiệt và hút dầu mỡ. Nên kiểm tra thường xuyên và sử dụng trong thời gian ngắn
Giấy nến	Sử dụng bao bì bên ngoài thức ăn để hấp.

Nhựa Nhựa nên sử dụng được cho lò vi sóng theo chỉ định của nhà sản xuất, và có nhãn dành cho lò vi sóng "Microwave Safe".

Miếng Nhựa	Sử dụng loại được cho lò vi sóng. Sử dụng để bao ngoài thức ăn có thể giữ độ ẩm. Không nên để miếng nhựa chạm vào thức ăn.
Nhiệt kế	Sử dụng loại dùng được cho lò vi sóng
Túi giấy nến	Sử dụng bao bì bên ngoài thức ăn để hấp.

Chất liệu không thể sử dụng ở lò vi sóng

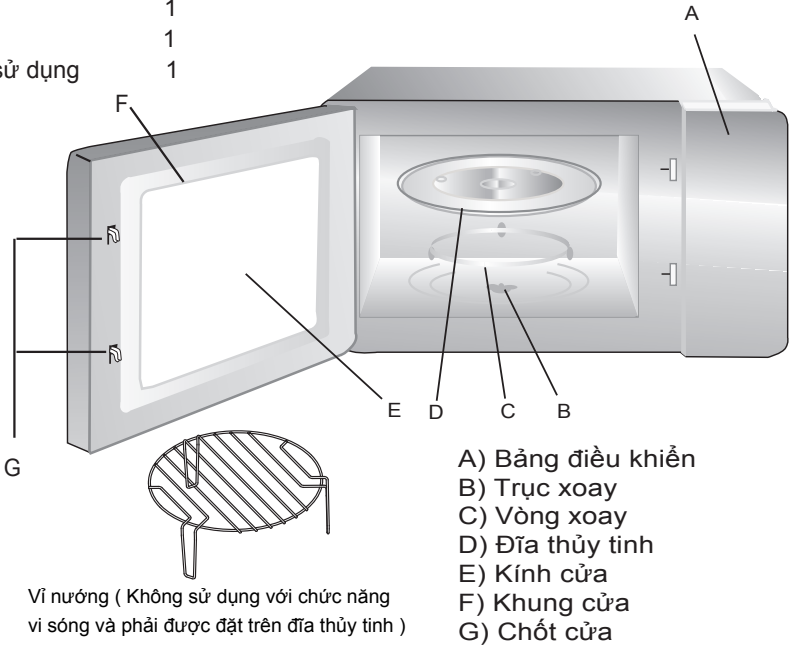
Dụng cụ	Lưu ý
Khay nhôm	Có thể gây ra hồ quang điện, gây ra nguy hiểm
Khay đựng thức ăn với tay cầm kim loại	Có thể gây ra hồ quang điện, gây ra nguy hiểm
Kim loại	Có thể gây ra hồ quang điện, gây ra nguy hiểm
Sợi dây xoắn kim loại	Có thể gây ra hồ quang điện, gây ra nguy hiểm
Túi giấy	Có thể gây ra cháy
Mút xốp	Mút xốp có thể tan chảy với nhiệt độ bên trong lò cao.
Gỗ	Gỗ sẽ bị sấy khô khi sử dụng trong lò vi sóng. Có thể gây ra nguy hiểm

THÔNG TIN VỀ LÒ VI SÓNG

TÊN MỘT SỐ BỘ PHẬN LÒ VI SÓNG

Tháo bỏ vật liệu bao gói phía bên trong và bên ngoài lò. Lò bao gồm các phụ kiện đi kèm sau:

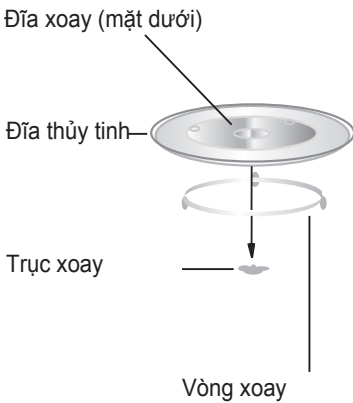
Đĩa thủy tinh	1
Vòng xoay	1
Hướng dẫn sử dụng	1



- A) Bảng điều khiển
- B) Trục xoay
- C) Vòng xoay
- D) Đĩa thủy tinh
- E) Kính cửa
- F) Khung cửa
- G) Chốt cửa

Ví nướng (Không sử dụng với chức năng vi sóng và phải được đặt trên đĩa thủy tinh)

Lắp đặt đĩa xoay



- a. Không được đảo chiều đĩa thủy tinh. Đĩa thủy tinh nên được cố định.
- b. Cả đĩa thủy tinh và vòng xoay phải luôn được lắp đặt trong khi nấu.
- c. Tất cả các thực phẩm và hộp đựng thức ăn phải luôn được đặt trên đĩa thủy tinh để nấu.
- d. Nếu đĩa thủy tinh hoặc vòng xoay bị gãy hoặc vỡ, hãy liên hệ với dịch vụ kỹ thuật để được hỗ trợ.

Lắp đặt và kết nối

- 1.Thiết bị này chỉ được sử dụng trong nước.
- 2.Lò này chỉ sử dụng cho lắp đặt âm tủ. Không sử dụng cho trên mặt bếp hoặc trong tủ chén đĩa.
3. Vui lòng tuân thủ hướng dẫn lắp đặt.
- 4.Thiết bị có thể được lắp đặt âm trong tủ rộng 60cm.
- 5.Thiết bị được trang bị phích cắm và phải được nối đất đúng cách.
- 6.Điện áp nguồn phải phù hợp với điện áp trên tem thông số.
- 7.Ổ cắm phải được lắp đặt và cáp kết nối chỉ được thay thế bởi nhân viên kỹ thuật.
- 8.Adapter, ổ cắm mở rộng và dây dẫn mở rộng phải phù hợp. Sử dụng quá tải có thể dẫn đến nguy cơ hỏa hoạn.

Bề mặt tiếp cận có thể nóng lên trong quá trình hoạt động.



Hướng dẫn lắp đặt

Vui lòng đọc kỹ hướng dẫn trước khi lắp đặt

Xin lưu ý

Kết nối điện

Lò được trang bị phích cắm và phải được kết nối với ổ cắm đúng cách. Các kết nối chỉ nên được thực hiện bởi nhân viên kỹ thuật. Nếu phích cắm không thể tiếp cận được sau khi lắp đặt, bộ ngắt điện phải ở mặt lắp đặt với khoảng cách tiếp xúc ít nhất là 3mm.

Tủ được trang bị không tẩm chắn phía sau thiết bị.

Một khoảng cách phải được duy trì giữa tường và mặt trên của thiết bị.

Thông số cụ thể được mô tả trong các sơ đồ tham chiếu.

Độ cao lắp đặt tối thiểu: 85cm


Không che chắn các lỗ thông gió.


Ghi chú

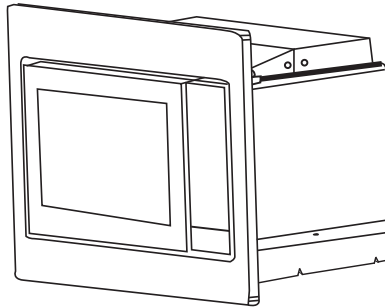
Không uốn cong hoặc bẻ dây cáp điện

 Vít A

 Vít B

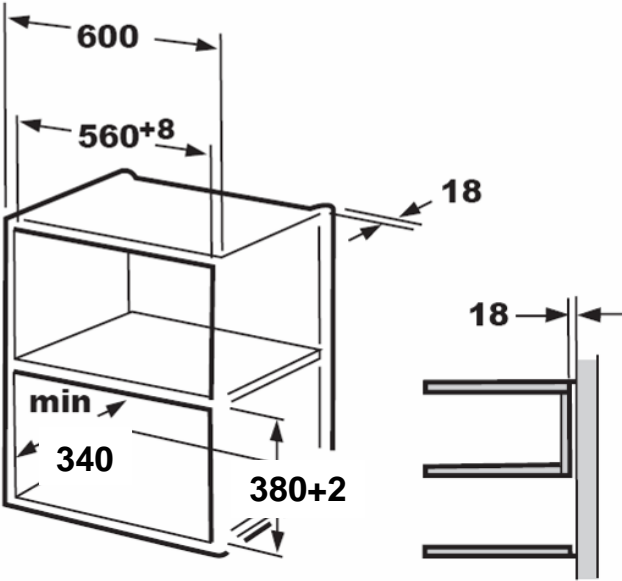
 Pass định vị

 Bọc nhựa

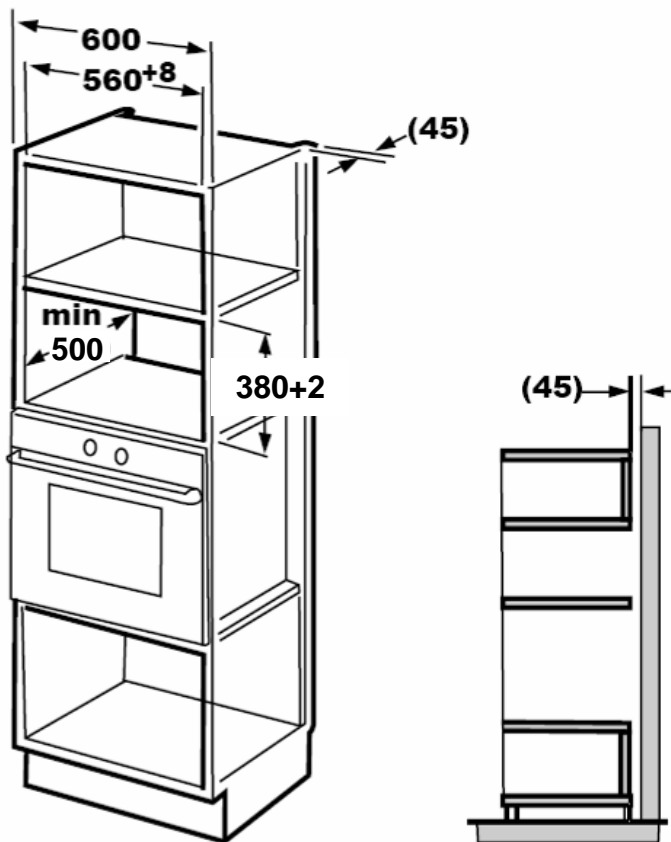


A. Lắp đặt âm

1.



2.

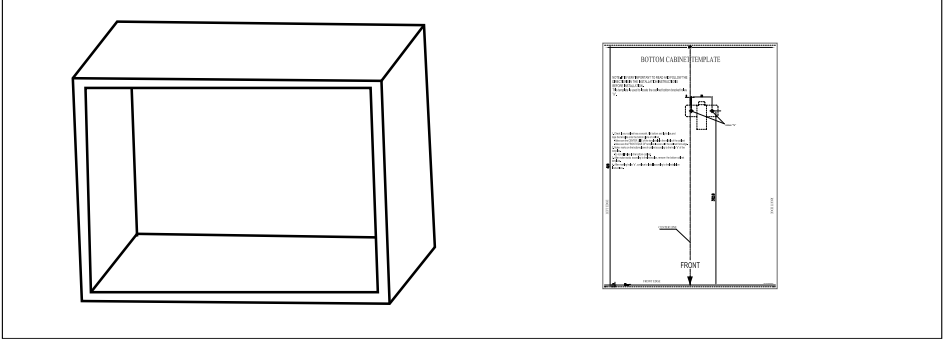


Ghi chú:

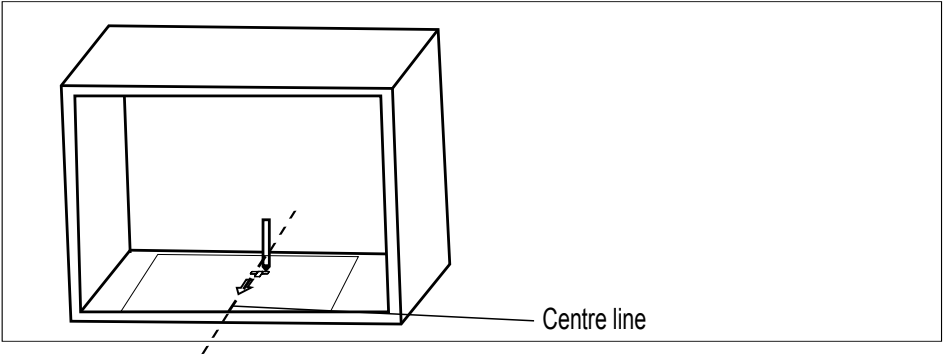
Cần có khung tủ khi lắp đặt ở cả hai kiểu lắp đặt.

B. Chuẩn bị khoang âm

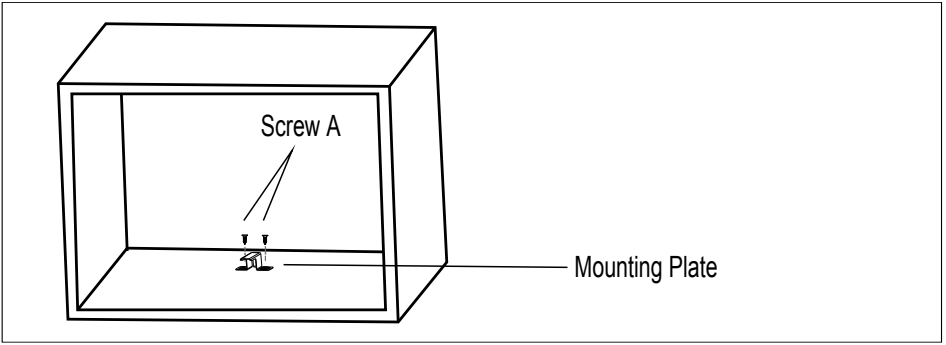
1. Đọc kỹ hướng dẫn trên tem dán ở mặt phía trên của lò.



2. Tạo các dấu trên mặt phẳng dưới cùng của tủ theo dấu "a" của rập.



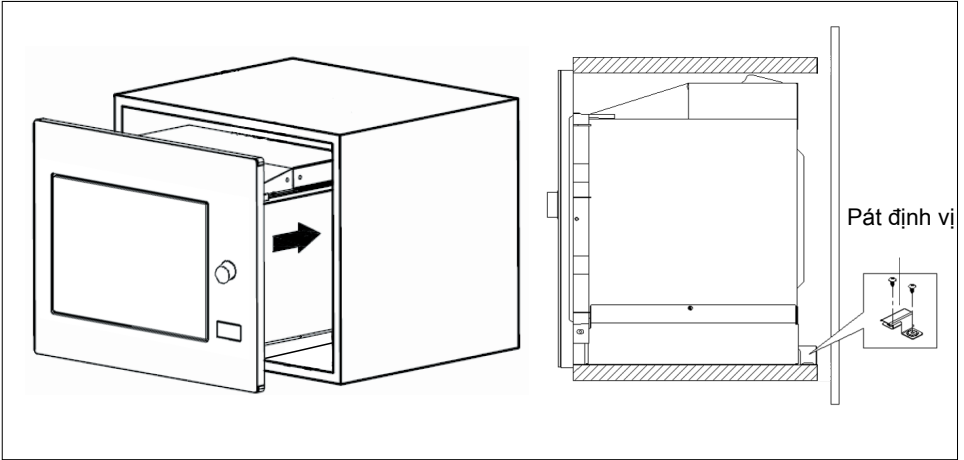
3. Lấy rập ra và cố định bằng vít A.



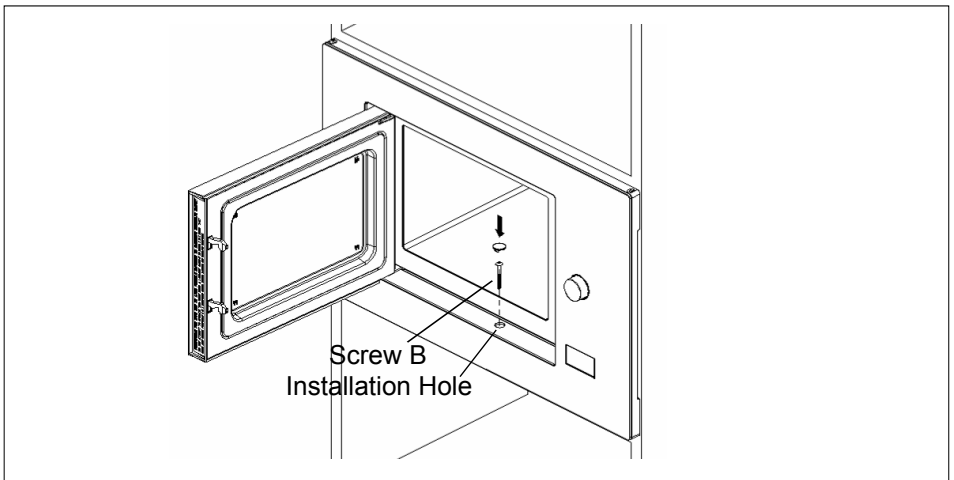
C. Lắp đặt lò

4. Lắp đặt lò vào khoang

- Đảm bảo mặt sau của lò được cố định bằng tấm chắn.
- Không bẻ hoặc xoắn dây cáp điện.

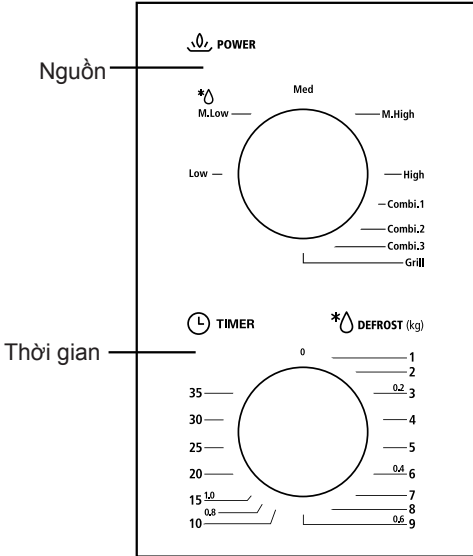


5. Mở cửa, cố định lò vào tủ bằng vít B. Sau đó gắn bọc nhựa vào khoang lắp đặt.



VẬN HÀNH

Bảng điều khiển và tính năng Hướng dẫn vận hành



1. Để đặt công suất nấu, xoay núm điều khiển đến mức mong muốn.
2. Để đặt thời gian nấu bằng cách xoay núm hẹn giờ thành thời gian mong muốn theo hướng dẫn nấu thức ăn của bạn
3. Lò vi sóng sẽ tự động bắt đầu nấu sau khi mức công suất và thời gian được đặt.
4. Sau khi hết thời gian, thiết bị sẽ tự động dừng lại.
5. Nếu thiết bị không được sử dụng, luôn đặt thời gian thành "0".

Chức năng/Nguồn	Output	Ứng dụng
Thấp	17% vi sóng	Làm mềm kem
T.bình/Thấp (Rã đông)	33% vi sóng	Hầm súp, làm mềm bơ hoặc rã đông.
T.bình.	55% vi sóng	Hầm
T.bình/Cao	77% vi sóng	Gạo, cá, gà, thịt xay
Cao	100% vi sóng	Hầm nóng, sữa, nước sôi, đồ uống

Chức năng/Nguồn	Output	Ứng dụng
Kết hợp 1	80% nướng 20% vi sóng	Xúc xích, thịt cừu, hải sản, bit tết
Kết hợp 2	70% nướng 30% vi sóng	Thịt gà, ức gà, sườn heo
Kết hợp 3	60% nướng 40% vi sóng	Gà nguyên con
Nướng	100% nướng	Bánh mì nướng, thức ăn cắt lát

Lưu ý: Khi lấy thực phẩm ra khỏi lò, hãy đảm bảo tắt nguồn lò bằng cách chuyển công tắc hẹn giờ về 0 (không). Không làm như vậy, và vận hành lò vi sóng mà không có thức ăn trong đó, có thể dẫn đến quá nhiệt và làm hỏng bộ tạo sóng.

Xử Lý Sự Cố

Bình thường	
Lò vi sóng bị ảnh hưởng của sóng tivi.	Radio và sóng vô tuyến tivi có thể ảnh hưởng khi hoạt động của lò vi sóng. Điều đó cũng giống như khi các thiết bị điện tử nhỏ bị ảnh hưởng từ sóng vô tuyến, như là máy xay bột, máy hút bụi, quạt điện tử. Điều đó là bình thường
Đèn lò vi sóng mờ đi	Khi lò vi sóng ở chế độ công suất thấp, đèn lò vi sóng có thể mờ đi. Điều đó là bình thường.
Sự tích tụ hơi trên cửa, không khí nóng thoát ra ngoài lỗ thông hơi.	Trong khi nấu ăn, hơi nước có thể bốc hơi từ thức ăn. Hầu hết hơi nước thoát ra khỏi từ lỗ thông hơi. Nhưng một số có thể tích tụ ở cửa lò vi sóng. Điều đó là bình thường.
Lò vi sóng sẽ rất nguy hiểm nếu không có thức ăn bên trong lò.	Nghiêm cấm lò vi sóng hoạt động mà không có thức ăn bên trong lò. Rất là nguy hiểm.

Sự Cố	Giải Quyết Vấn Đề	Cách giải quyết
Lò vi sóng không hoạt động.	(1) Dây nguồn không được cắm chặt	Tháo dây cung cấp điện, và cắm lại sau 10 giây.
	(2) Cầu chì bị đứt hoặc bo nguồn bị hư không thể hoạt động.	Thay cầu chì hoặc sửa lại bo nguồn được thực hiện bởi nhân viên kỹ thuật.
	(3) Rắc rối với lỗ thoát hơi	Kiểm tra lỗ thoát hơi.
Lò vi sóng không nóng	(4) Cửa lò không đóng chặt	Đóng cửa chặt.



Theo xử lý chất thải của thiết bị điện, điện tử (WEEE) Vui lòng không vứt bỏ sản phẩm cùng với chất thải gia đình. Vui lòng đem gửi sản phẩm này đến các địa điểm thu thập (Nếu có).



MALLOCA VIETNAM COMPANY LIMITED

Showroom:

279 Nguyen Van Troi Street, Ward 10, Phu Nhuan District, HCM City

Tel: (84) 28 39975 893 / 94

Fax: (84) 28 38447 102

Email: info@malloca.com

Customer Care:

Hotline: 1800 12 12

Email: chamsockh@malloca.com

CÔNG TY TNHH MALLOCA VIỆT NAM

Showroom:

279 Đường Nguyễn Văn Trỗi, Phường 10, Quận Phú Nhuận, TP.HCM

Điện Thoại: (84) 28 39975 893 / 94

Fax: (84) 28 38447 102

Email: info@malloca.com

Hệ thống chăm sóc khách hàng:

Hotline: 1800 12 12

Email: chamsockh@malloca.com

Trung tâm chính

279 Đường Nguyễn Văn Trỗi, Phường 10, Quận Phú Nhuận, TP.HCM

SĐT: (028) 39975 893 / 94 – (028) 39975 294 / 95

Khu vực Bà Rịa Vũng Tàu

258-260A Lê Hồng Phong, Phường 4, TP. Vũng Tàu

SĐT: (0254) 385 94 99

Khu vực Tây Nguyên

331 Phan Đình Phùng, Phường 2, TP. Đà Lạt

SĐT: (0263) 3521 107 – 0918226362

Khu vực Nam Trung Bộ

08 Lê Hồng Phong, Phường Phước Hải, TP. Nha Trang

SĐT: (0258) 3875 488

Khu vực Miền Tây

180 Trần Hưng Đạo, Phường An Nghiệp, Quận Ninh Kiều, TP. Cần Thơ

SĐT: (0292) 373 2035

Khu vực Miền Trung

211 Nguyễn Văn Linh, Phường Vĩnh Trung, Quận Thanh Khê, TP. Đà Nẵng

SĐT: (0236) 369 1906

Khu vực Miền Bắc

10 Chương Dương Độ, Phường Chương Dương, Quận Hoàn Kiếm, Hà Nội

SĐT: (024) 35376 288 – 093 462 92 98