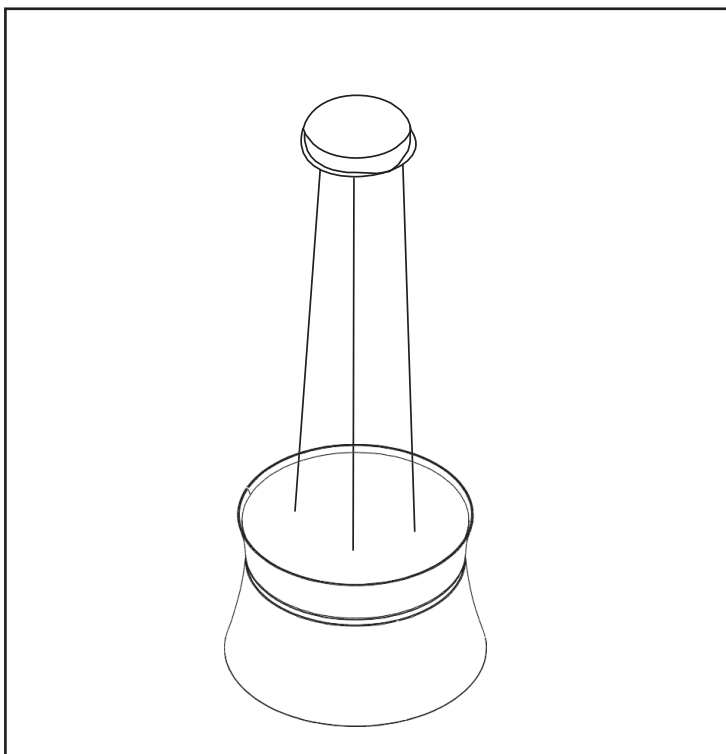




USER MANUAL

MODEL: SOPHIE K-500B/W



Warnings


The appliance should not be used by children under 8 years of age and by persons with reduced physical, sensory and mental capacities, or lack of experience and knowledge, unless they are supervised or have received instructions regarding the safe use of the appliance and are aware of the possible risks. Children must not play with the appliance. Any intended cleaning and maintenance by the user should not be carried out by children unless supervised. The hood should never be used without the grid properly fitted! Never use the hood without the grill properly fitted!

The accessible components can overheat when the cooktop is in use.

The hood must not be connected to the flues of other appliances that run on gas or other flues. When the hood is used at the same time as other appliances that run on gas or other fuels, provision must be made for an adequate supply of air. No food must be cooked flambé underneath the hood. The use of an unprotected flame could cause damage to the filters and could cause fires, so should be avoided. When frying food, never leave the pan unattended because the cooking oil could flare up. Please comply with the technical and safety provisions set forth by your local competent authorities regarding the ventilation of hoods.

This appliance conforms to European Directive 2002/96/EC, Waste Electrical and Electronic Equipment (WEEE). Please dispose of this product correctly in the interest of health and environment.



The symbol  on product, or on the documents, accompanying the product, indicates that this appliance may not be treated as household waste. Instead it shall be handed over to the applicable collection point for the recycling of electrical and electronic equipment. Disposal must be carried out in accordance with local environmental regulations for waste disposal. For more detailed information about treatment, recovery and recycling of this product, please contact your local city office, your household waste disposal service of the shop where you purchased the product. If the power cable is damaged you should. In the interest of safety, contact the manufacturer's technical assistance service to request a replacement, or ask someone who is similarly qualified.

Check also the drawings on the initial pages with the alphabetical and numerical references in the explanatory text. Closely follow the instructions in this manual. We cannot accept liability for any faults, detriment or fire damage to the appliance due to non-compliance with the manual's instructions.

You should affix the hood to wall of sufficient weight-bearing capacity, so not to one made of plasterboard.

The cooker hood must be placed at a minimum distance of 65 cm from the cooking plane for electric cookers and 65cm for gas or mixed cookers. If the instructions for installation for the gas hob specify a greater distance, this has to be taken into account. Do not tile, grout or silicone this appliance to the wall. Surface mounting only. Do not fix chimney flue to furniture or fly over shelves unless the chimney flue can be easily removed, in case maintenance is ever required.

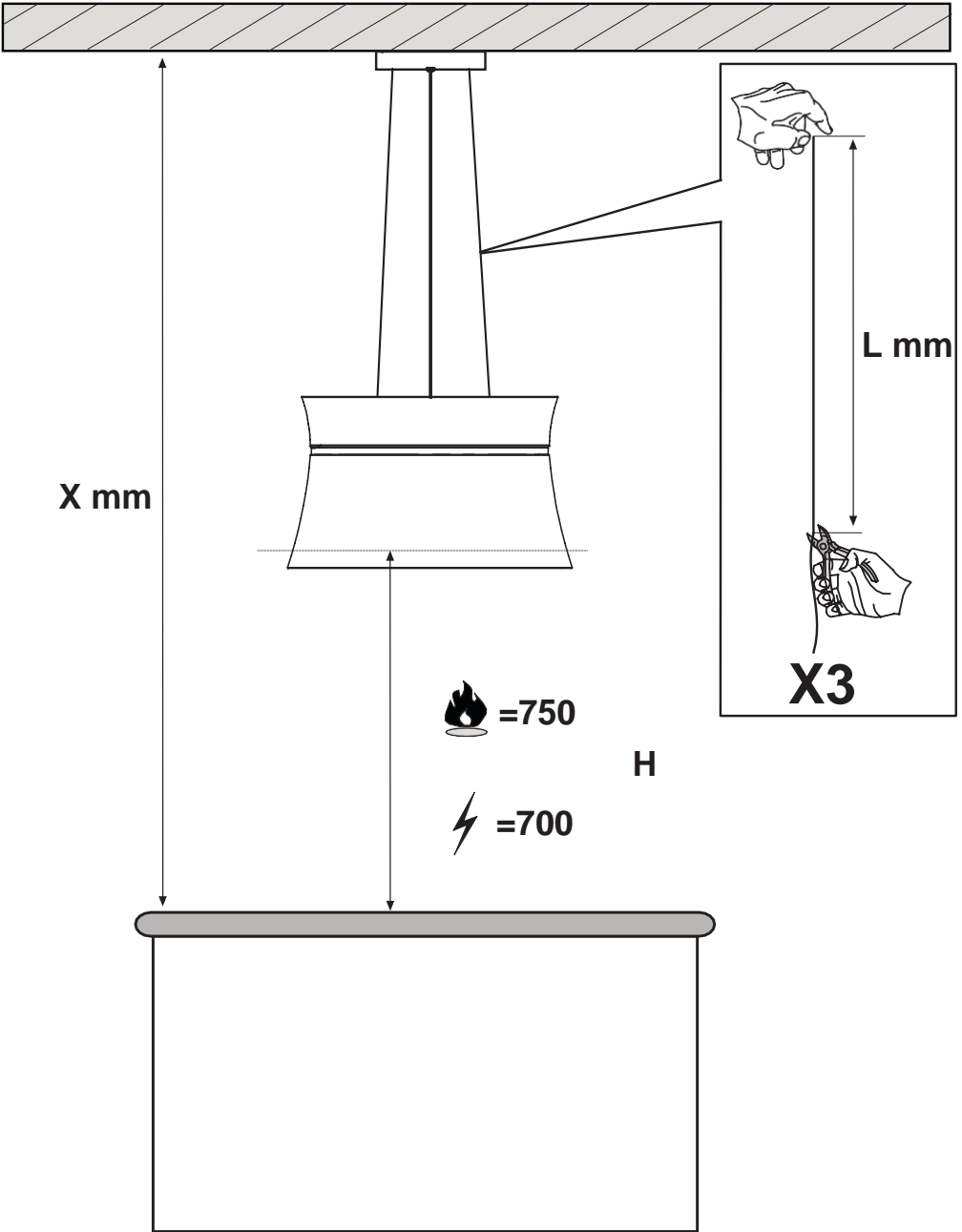
The cooker hood is provided with an upper air exit B for discharging fumes externally for models including chimney flue C (Suction Version A-exhaust pipe not supplied). If cooking fumes and vapours cannot be externally discharging, the cooker hood can be used in the recirculating version F: the installation of 1 active charcoal filter F allows the recirculation of fumes and vapours through the upper grid G.

Make sure that there is a power socket near the hood and that the system has a 30 mA differential. The mains voltage must be the same as that on the label inside the hood. The hood has a 1250 mm power cable with or without plug: if it does have a plug, connect the hood to an accessible approved socket: if it does not (connection direct to the mains), fit an approved bipolar switch with a minimum contact opening of no less than 3 mm (accessible). This installation and electrical connection must be executed by a qualified technician.

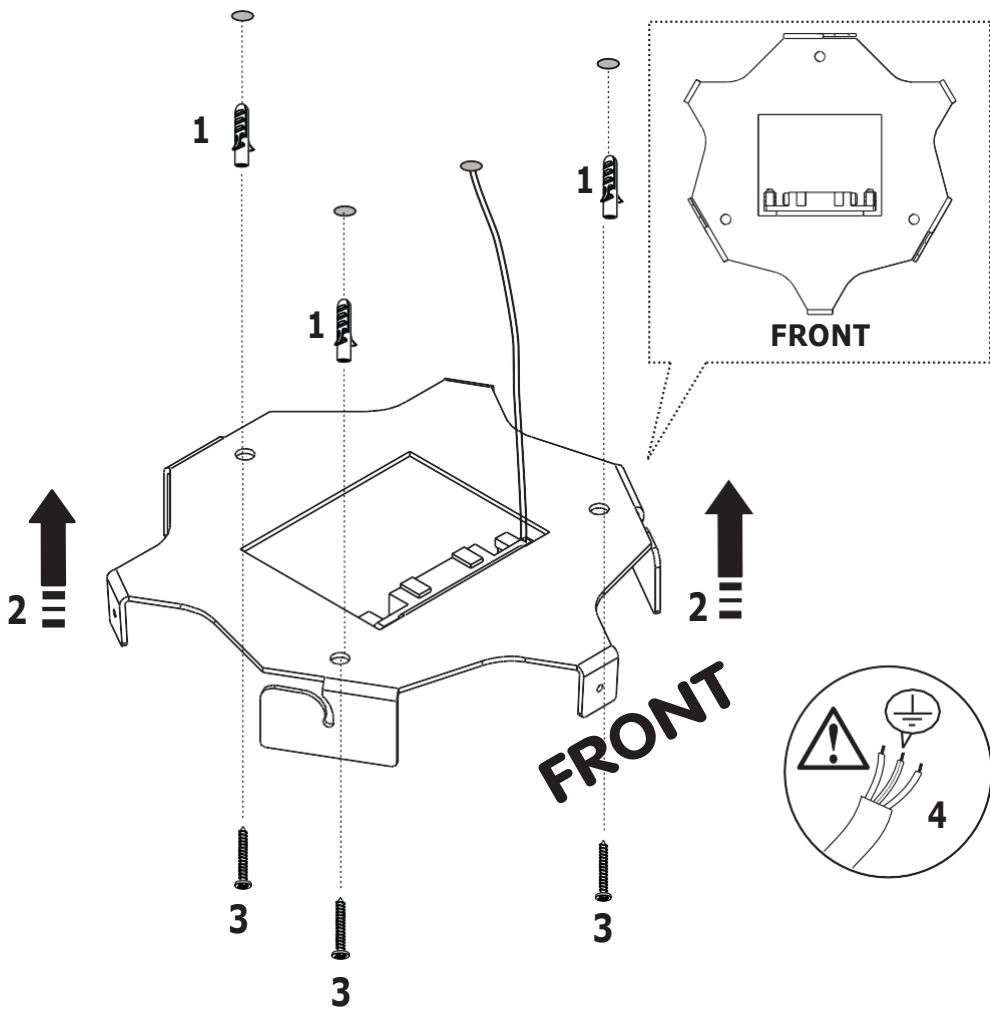
If the cooking top is in use, the cooker hood must always operate.

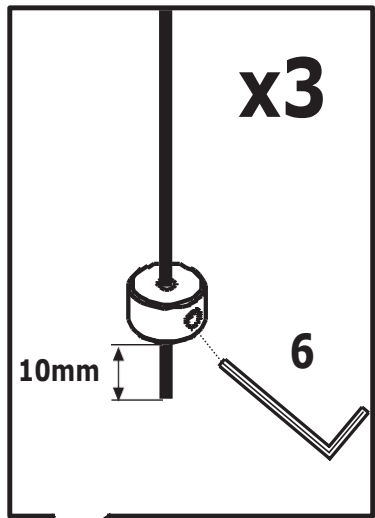
Product performance test carried out in accordance with standard (EU) No 65/2014-Ref:IEC 61591

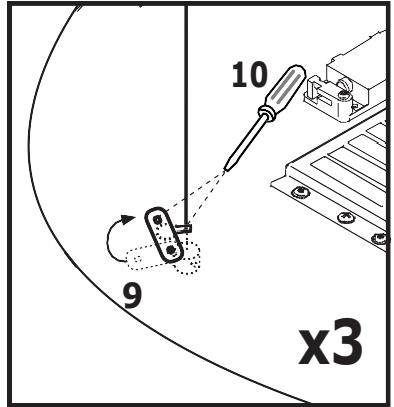
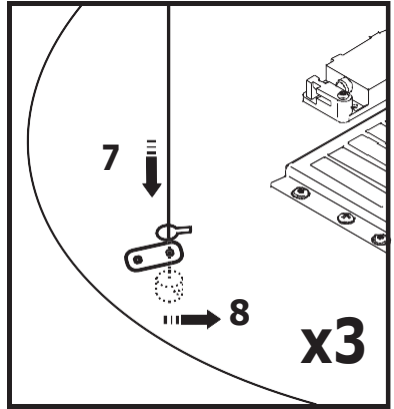
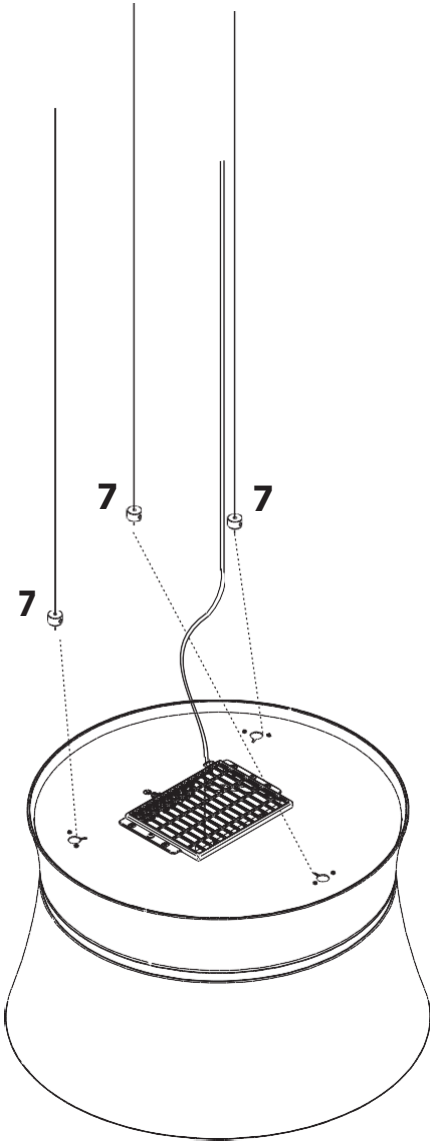
Maximum performance is achieved by placing the mobile panels, if any, in the open position.

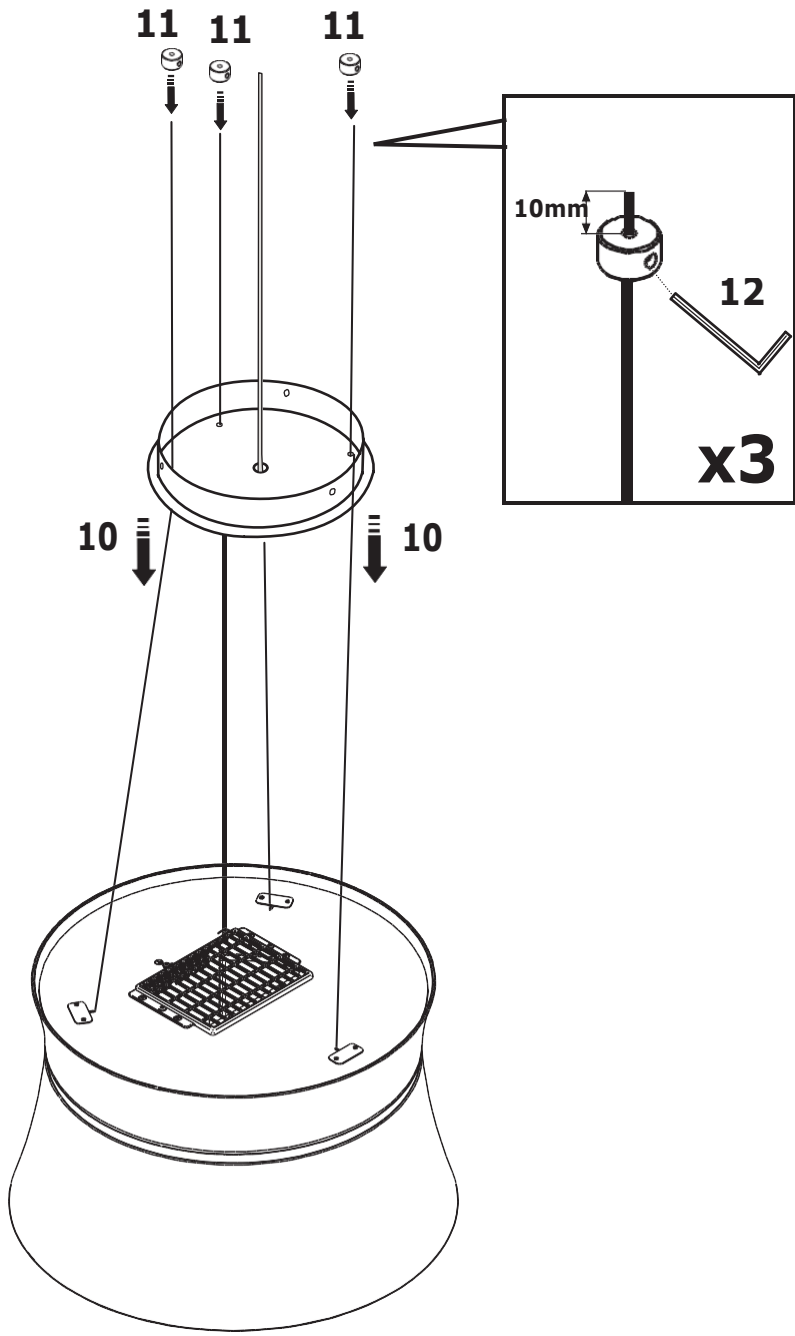


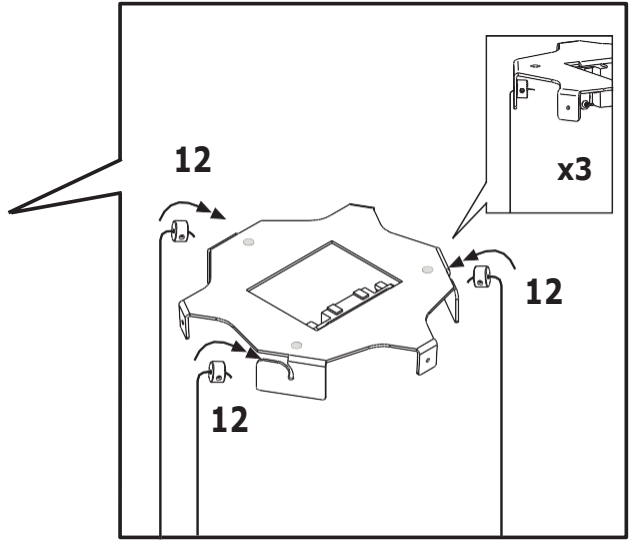
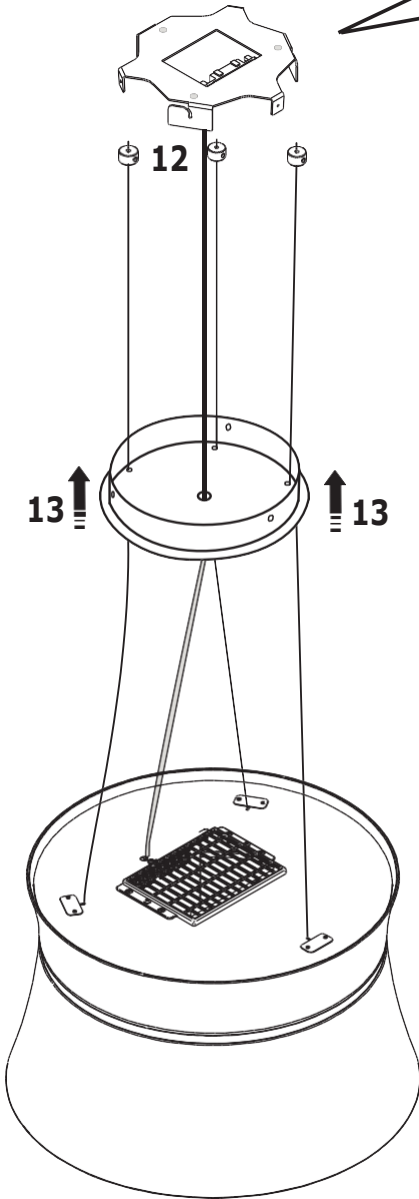
$$L = X - H - 260$$

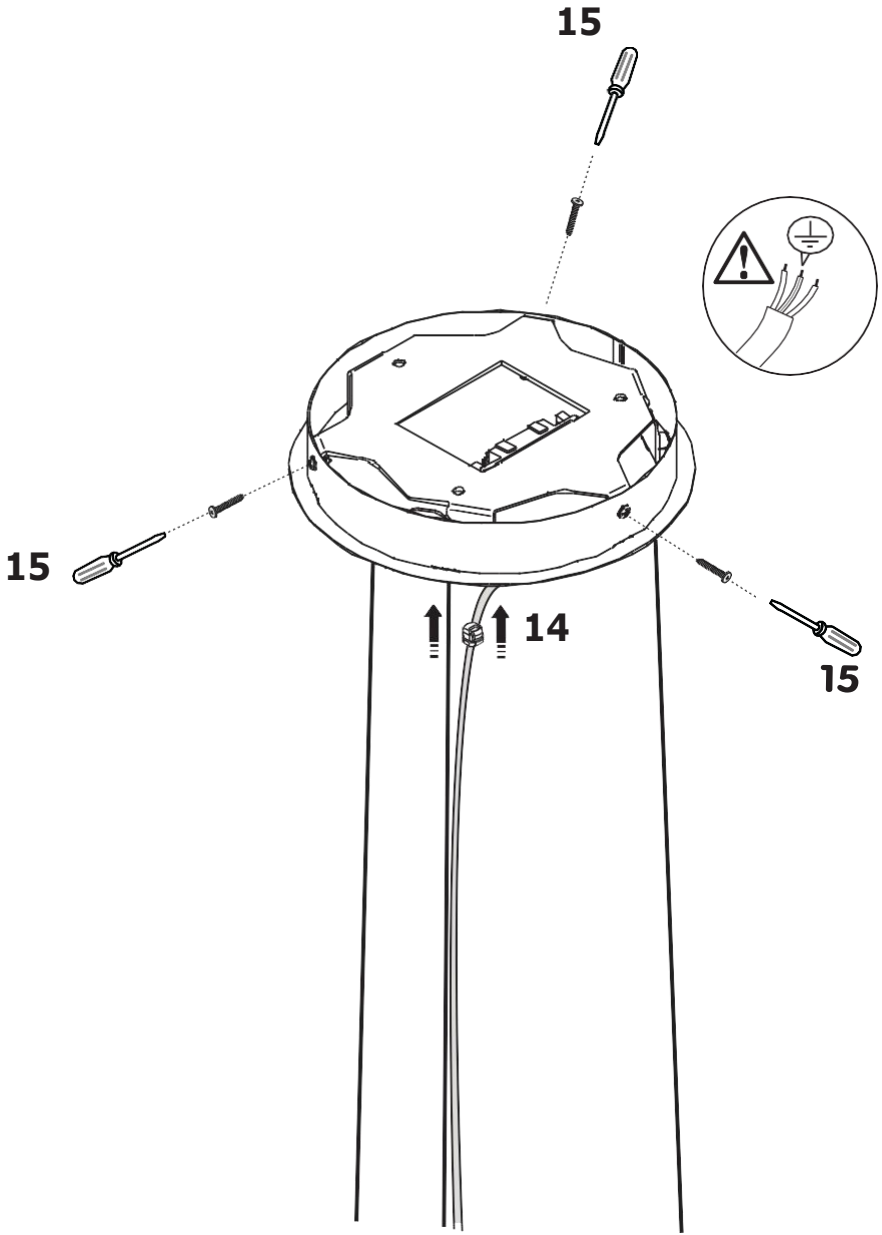




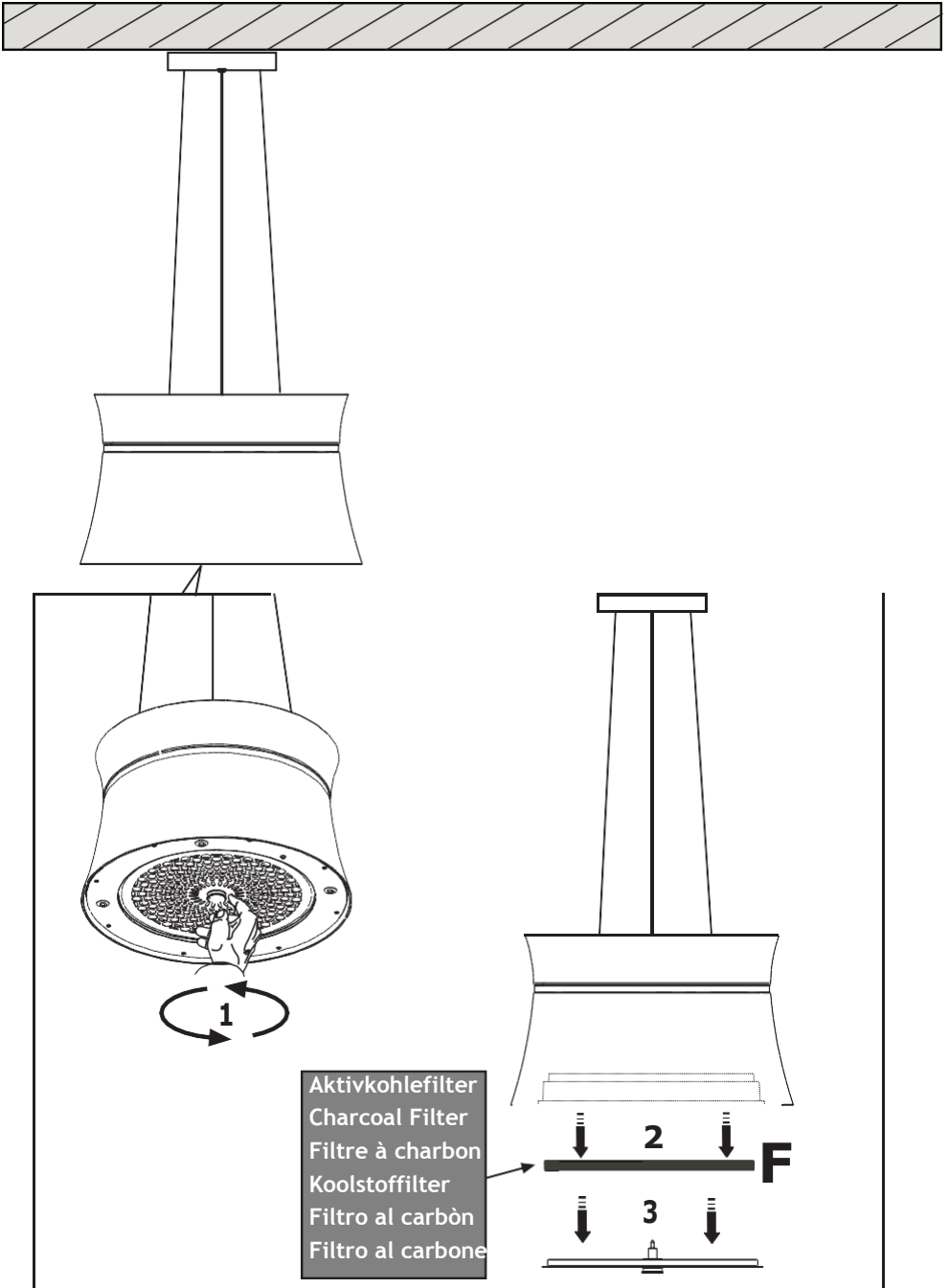




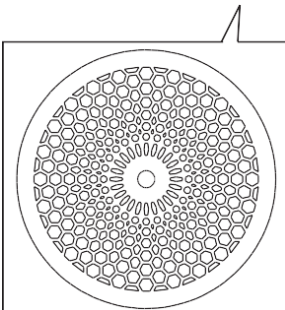
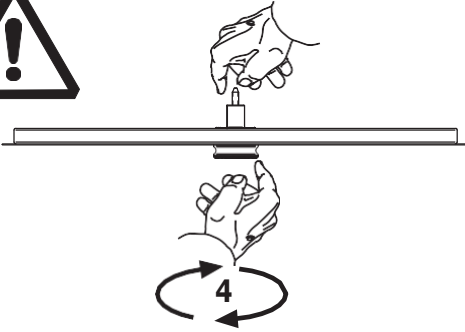




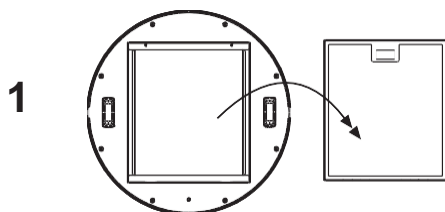
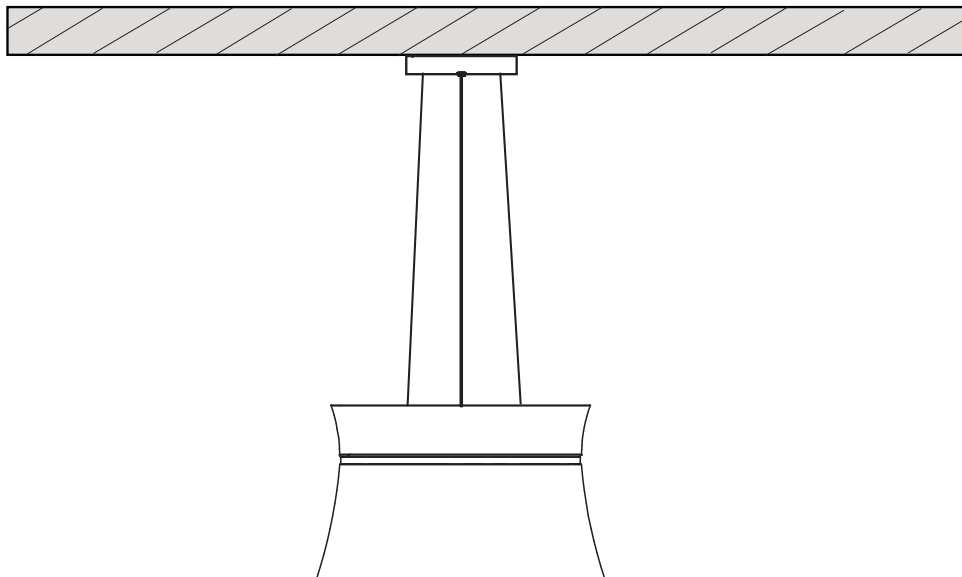
Version : CRISALIDE Lux



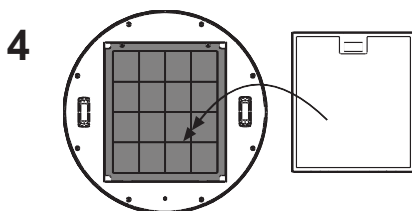
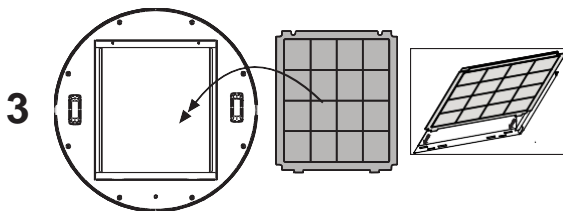
Version : CRISALIDE Lux



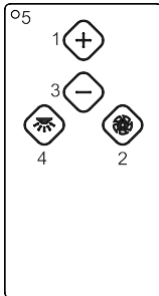
Version : Eco



2 - Turn on the motor at the higher speed



INTEGRA



- 1: + motor
- 2: On/Off motor
- 3: - motor
- 4: On/Off light
- 5: Led

Note: the LED on the hood indicates the various speeds: green 1st speed, orange 2nd speed, red 3rd speed and flashing red 4th speed. All hoods with capacities exceeding 650 m³/h have the last timed speed; It lasts for 7 minutes, after which it automatically returns to the last non-timed speed.

Initialization procedure:

1. Cut off power of the hood
2. Power the hood again
3. Within the first 5 sec, press the light button and release it after the lights turn on (the control must be turned on via key 3)
4. Within 5 sec, press the motor key and release it

Now you have to wait for about 10 seconds – then you can use the hood normally.
Notes: after 4 hours from the last use of a key, the hood turns off automatically.
Should there be interferences with other nearby remote controls, carry out the code change procedure.

Should it be required to replace the radio control, the frequency of the electronic system of the new radio control must be calibrated again via the initialization procedure.

Procedure for generating a new code for the radio control.

The radio control is supplied with default codes. If you want to generate new random codes you need to follow the procedure below: simultaneously press the plus and minus keys for at least 10 seconds; the LED will turn on, then press the two buttons again (within 3 seconds). The LED flashes three times to indicate that the operation has been completed. Once you changed the radio control you must run again the initialization procedure.

Maintenance

Prior to any maintenance operation ensure that the cooker hood is disconnected from the electrical outlet.

Cleaning

The hood must be cleaned frequently both inside (apart from the area behind the grease filter) and outside. Use a cloth moistened with neutral liquid detergents. Never use products containing abrasives.

Warning

Failure to carry out the basic standards of the cleaning of the cleaning of the cooker hood and replacement of the filters may cause fire risks. Therefore we recommend observing these instructions.

Anti-grease Filter

Must be cleaned once a month, with non abrasive detergents, by hand or in dishwasher on low temperature and short cycle. When washed in a dishwasher, the grease filter may discolour slightly, but this does not affect its filtering capacity.

Charcoal Filter – (only for filter version)

The active charcoal filters F are not washable nor regenerative. It should be changed every 6 months in normal use. The active charcoal filters capture unpleasant cooking odours.

Reducing environmental impact:

To reduce energy consumption, we recommend you always use the lowest suction speed among those suitable for the cooking mode currently active, avoid leaving the appliance running for more than 15 minutes after burner shutdown and switch off the lights if you leave the cooking area.

Replacing lightbulbs

Led Light

If the lighting group LED does not work, please contact the technical service center in order to replace the whole group.

MALLOCA VIETNAM COMPANY LIMITED

Showroom:

279 Nguyen Van Troi Street, Ward 10, Phu Nhuan
District, HCM City Tel: (84) 28 39975 893 / 94
Fax: (84) 28 38447 102 - (84) 28 38633 882
Email: info@malloca.com

Customer Care:

Hotline: 1800 12 12
Email: chamsockh@malloca.com

CÔNG TY TNHH MALLOCA VIỆT NAM

Showroom:

279 Đường Nguyễn Văn Trỗi, Phường 10, Quận Phú Nhuận, TP.HCM
Điện Thoại: (84) 28 39975 893 / 94
Fax: (84) 28 38447 102 - (84) 28 38633 882
Email: info@malloca.com

Hệ thống chăm sóc khách hàng:

Hotline: 1800 12 12
Email: chamsockh@malloca.com

Trung tâm chính

279 Đường Nguyễn Văn Trỗi, Phường 10, Quận Phú Nhuận, TP.HCM
SĐT: (028) 39975 893 / 94 – (028) 39975 294 / 95

Khu vực Bà Rịa Vũng Tàu

258-260A Lê Hồng Phong, Phường 4, TP. Vũng Tàu
SĐT: (0254) 385 94 99

Khu vực Tây Nguyên

331 Phan Đình Phùng, Phường 2, TP. Đà Lạt
SĐT: (0263) 3521 107 – 0918226362

Khu vực Nam Trung Bộ

08 Lê Hồng Phong, Phường Phước Hải, TP. Nha Trang
SĐT: (0258) 3875 488

Khu vực Miền Tây

180 Trần Hưng Đạo, Phường An Nghiệp, Quận Ninh Kiều, TP. Cần Thơ
SĐT: (0292) 373 2035

Khu vực Miền Trung

211 Nguyễn Văn Linh, Phường Vĩnh Trung, Quận Thanh Khê, TP. Đà Nẵng
SĐT: (0236) 369 1906

Khu vực Miền Bắc

10 Chương Dương Độ, Phường Chương Dương, Quận Hoàn Kiếm, Hà Nội
SĐT: (024) 35376 288 – 093 462 92 98