

Trouble shooting

Problem	Reason	Action
Cannot function	No electrical supply	Check that the plug is connected. Check that the main switch is turned on.
Poor airflow	Aluminium grease filters clogged	Clean the filters and replace when dry.
	Charcoal grease filters clogged	Replace charcoal filters with new sets.
No airflow	Butterfly valve jammed	Contact technician.
Motor cuts after a few minutes	High temperature safety device activated	The hood is installed too near the cooking stove. The kitchen is not sufficiently ventilated. Contact technician
Strong cooking smell	Charcoal filters not installed	In re-circulating mode, charcoal filters must be installed.

Designer **Cooker Hood**



Contents For the User

- . For your safety
- . Description
- . Instructions for use

For the Installer

- . Safety information
- . Specifications
- . Troubleshooting

For your safety

Installation

- This appliance must be installed by a qualified technician.
- It is dangerous to modify any part of this appliance.
- The manufacturer declines all responsibility in case of failure to adopt proper safety measures.
- Ensure the location in which this appliance is installed has good, permanent ventilation.
- There shall be adequate ventilation of the room when the cooker hood is used at the same time as appliances burning gas or other fuels .
- The distance between the cooking appliance to the lower part of the hood must be at least 75 cm.
- Use an electrical plug with earth that is correct for your location.
- Check that the voltage in your area correspond to the appliance.
- That exhaust air must not be discharged into a fue which is used for exhauasting fumes from appliances burning gas or other fuels.

During Use

- The regulations concerning the discharge of exhaust air have to be fulfilled.
- This product is designed for domestic use only and should never be used for commercial applications.
- After using, always ensure that all controls are in the "OFF" position.
- When frying with a gas flame, take particular care not to allow the oil or grease in the pan to catch fire. Do not flambe under the cooker hood.

Child Safety

- This appliance should be operated by adults only.

Cleaning, Maintenance & Service

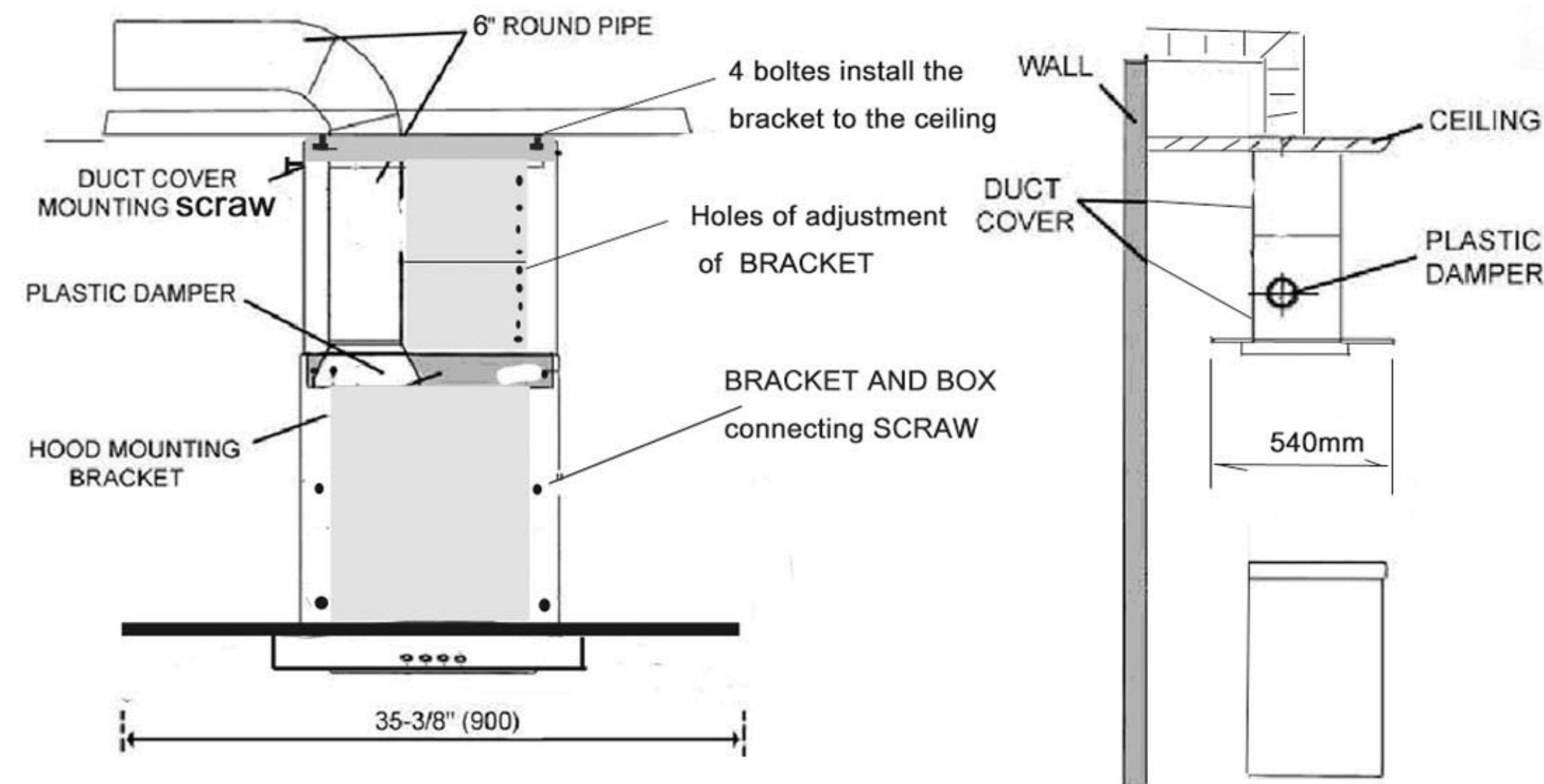
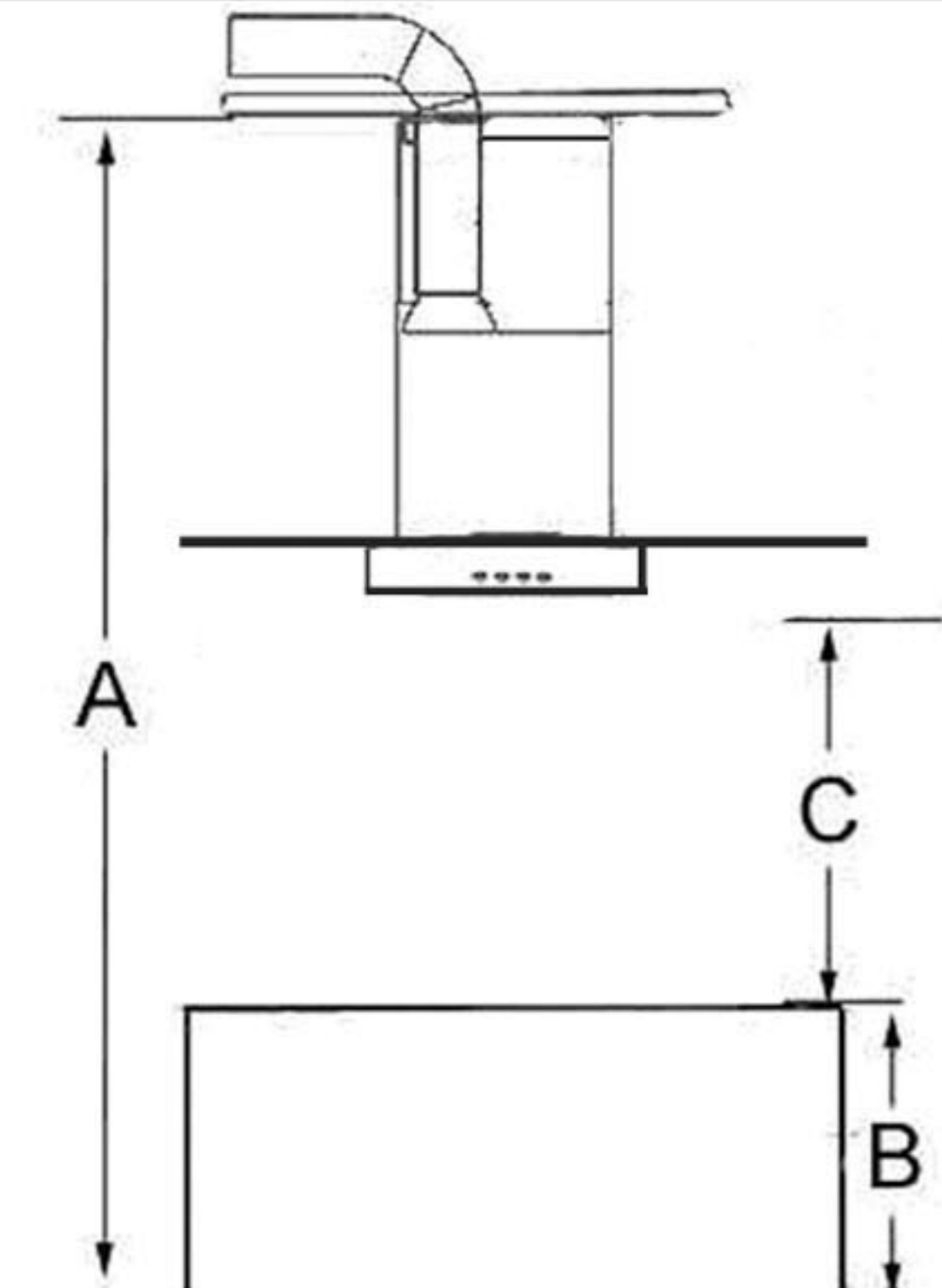
- Clean the grease filters often (at least once monthly). Heavy oil deposits is a fire hazard.
- Never attempt to repair this appliance by yourself. Always refer to qualified Service Technicians.
- For your safety, insist on original parts.
- Always switch off the electricity and unplug the connection before conducting maintenance or cleaning.

Installation drawing

For island cooker hoods

TABLE 1

A = Height of Floor to Ceiling
B = Height of Floor to Counter Top
(Standard: 900mm)
C = Preferred Height of Counter Top
to Hood Bottom (Recommended
750mm)

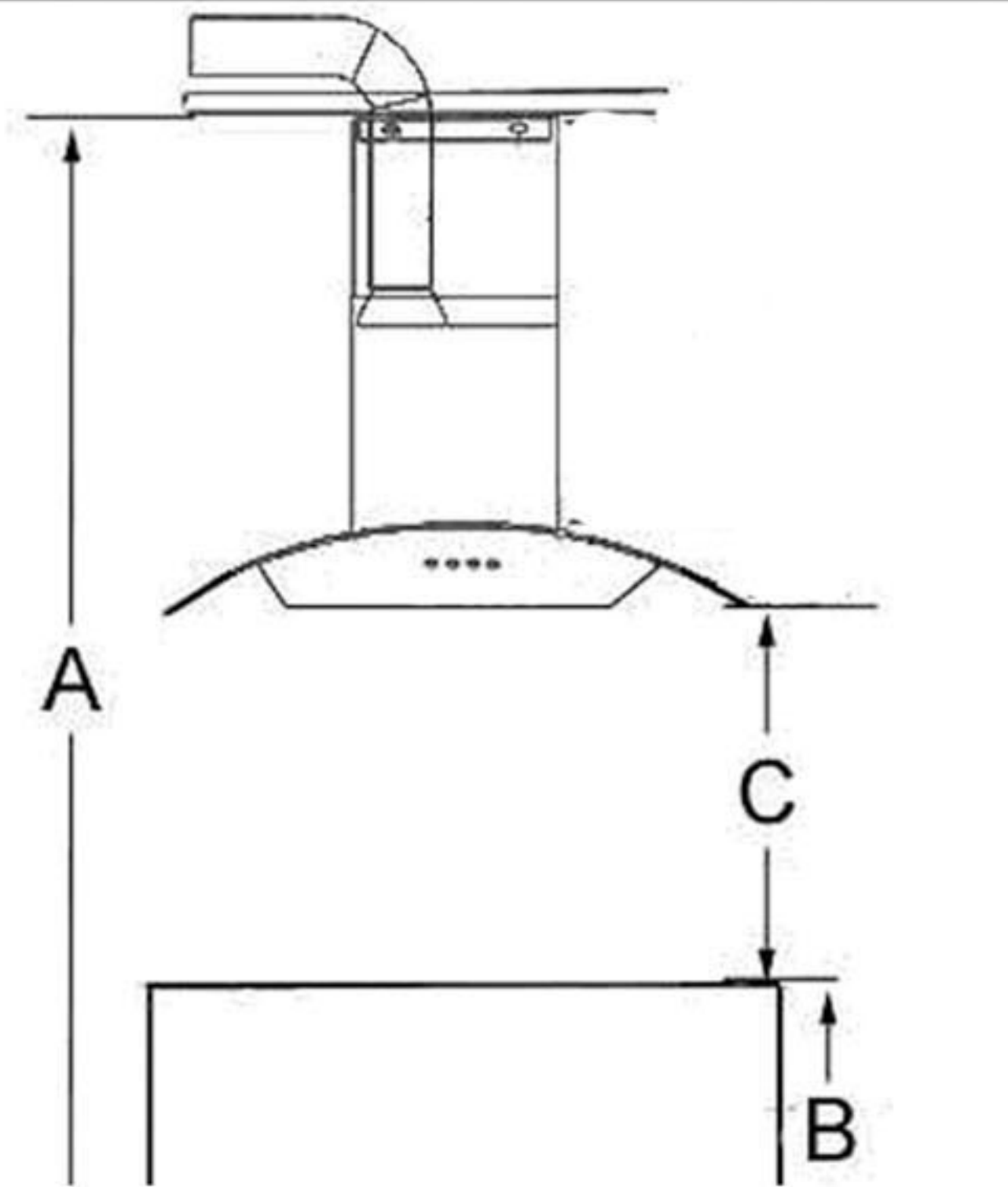


Installation drawing

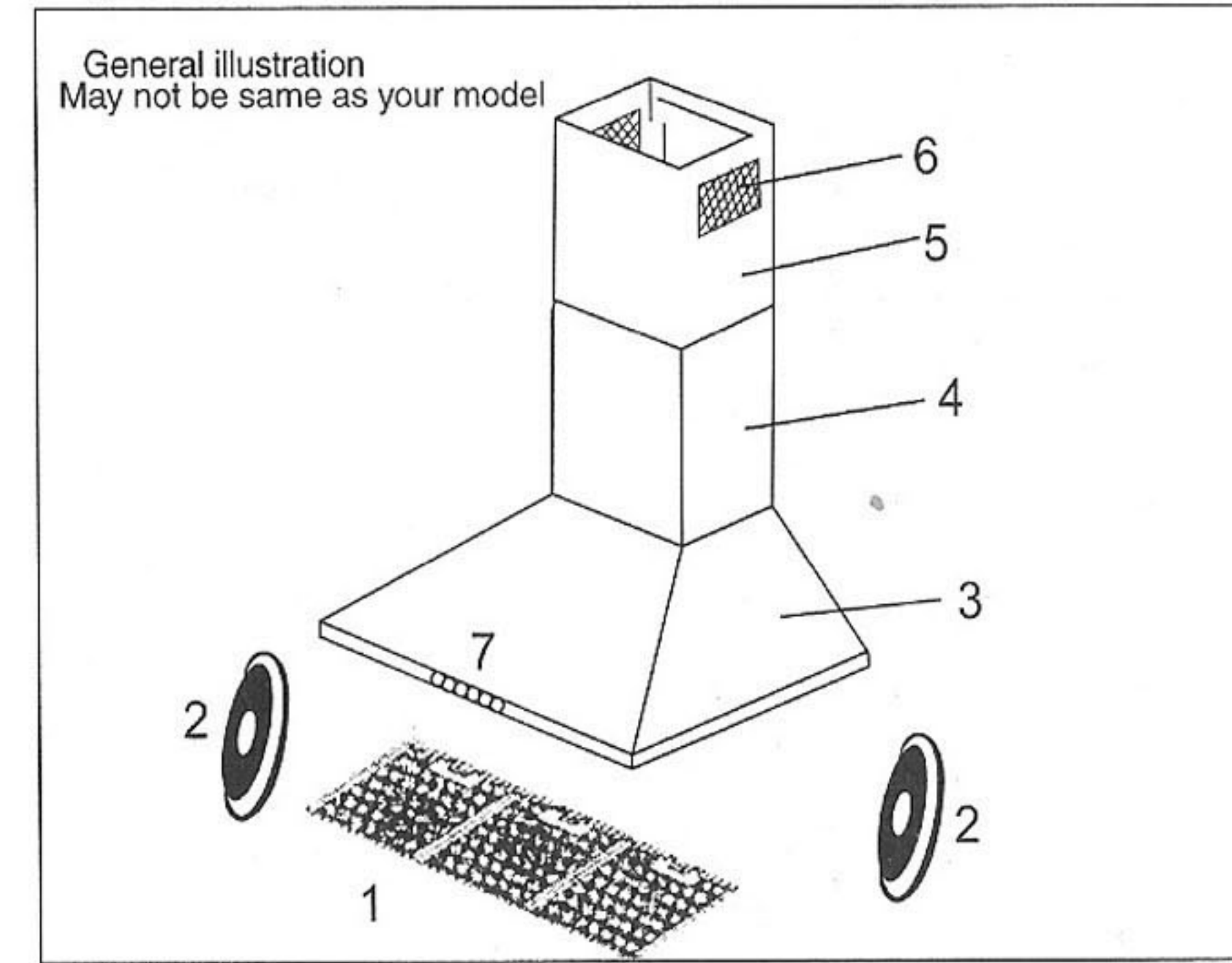
For wall mounted cooker hoods

TABLE 1

A = Height of Floor to Ceiling
 B = Height of Floor to Counter Top
 (Standard: 900mm)
 C = Preferred Height of Counter Top
 to Hood Bottom (Recommended
 750mm)



Description



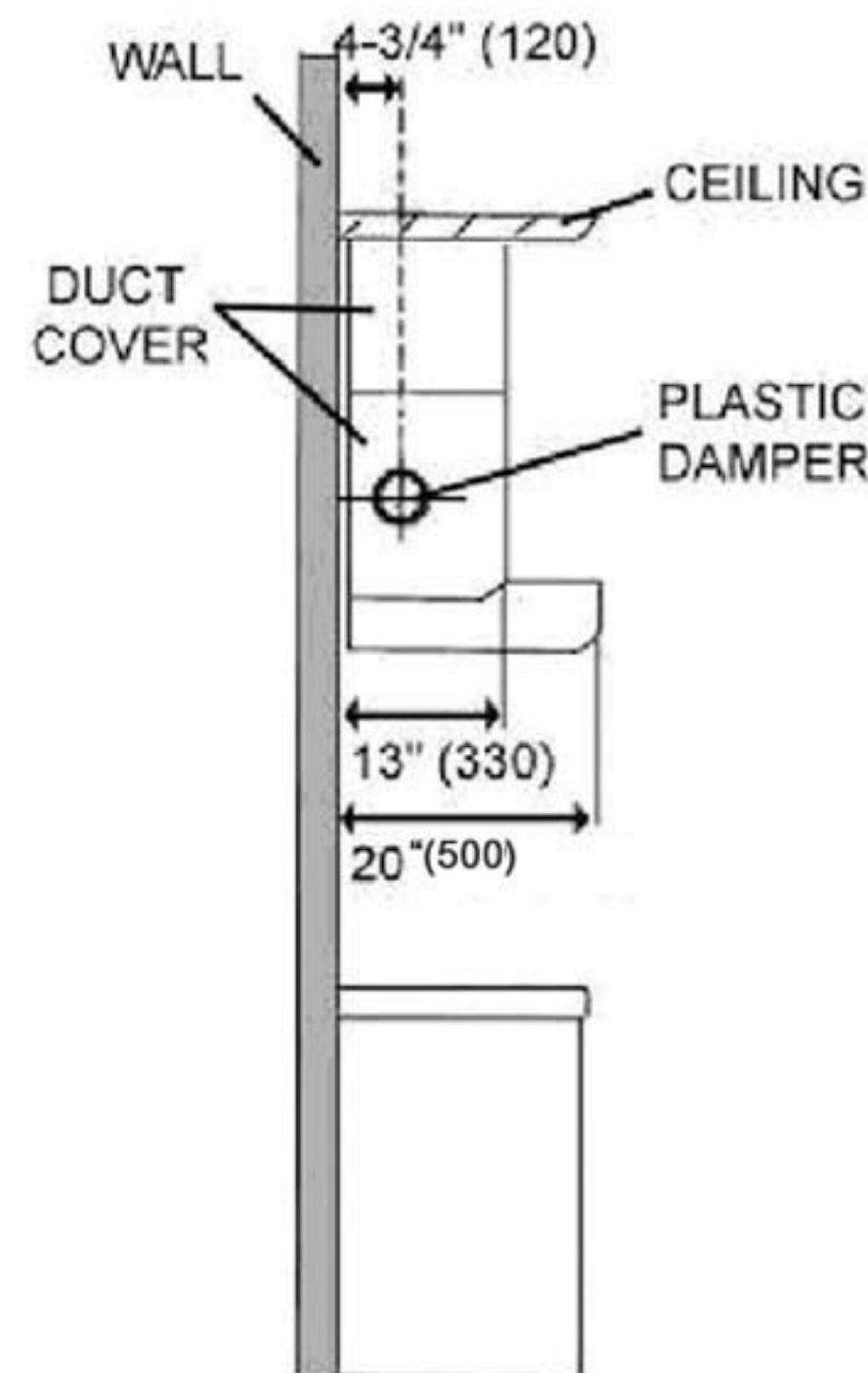
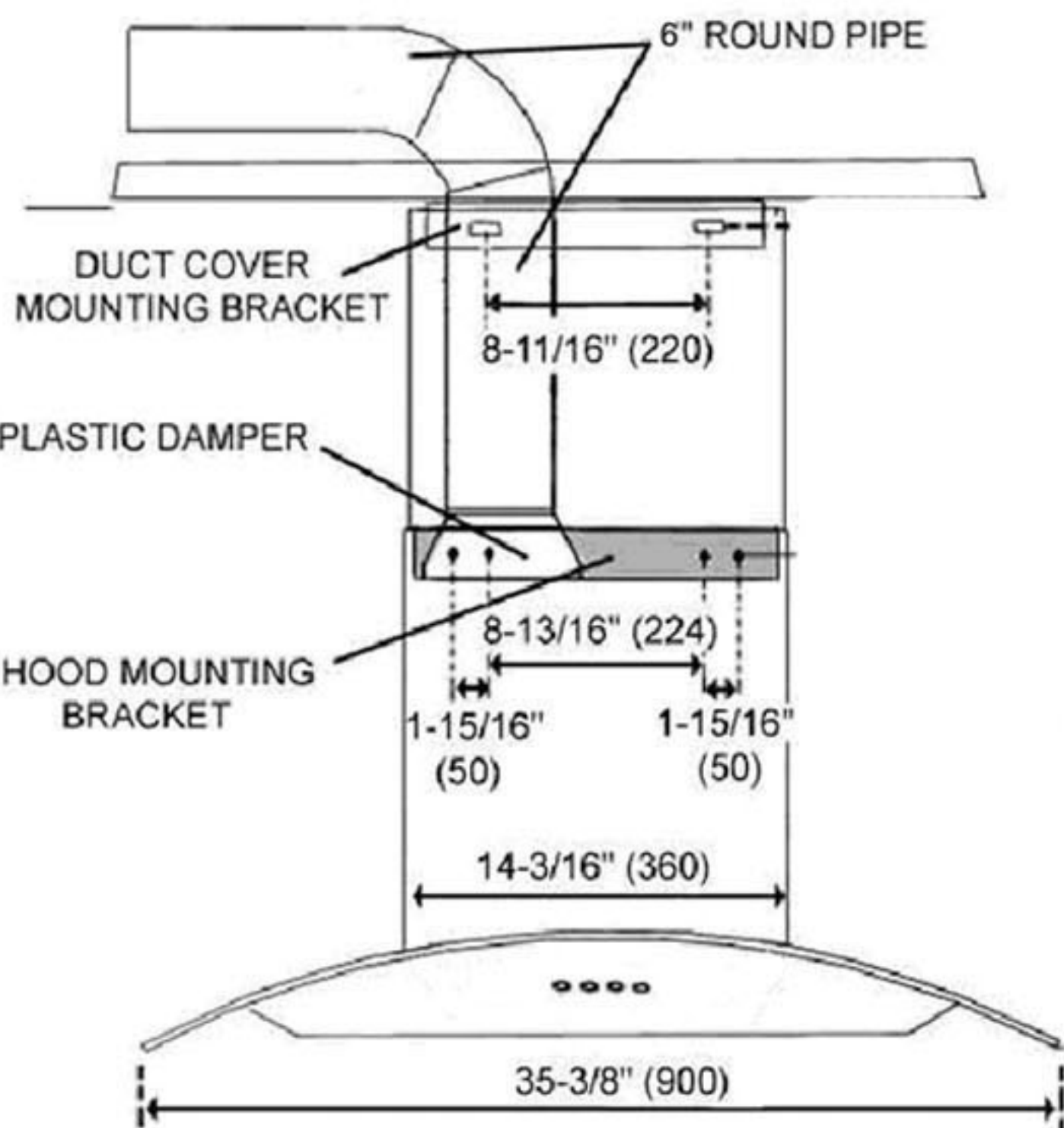
- 1. Aluminium grease filters
- 2. Charcoal filters
- 3. Canopy
- 4. Main funnel
- 5. Extension funnel
- 6. Re-circulating outlet
- 7. Control buttons

2 Speed Control

- This appliance is equipped with 2 speed mechanical or electronic control.
- Use the low speed for simmering or light cooking. Use the high speed for frying or heavy cooking.

Ducted or Re-circulating mode

- Depending on your requirement, this appliance can be configured to operate in the ducted or re-circulating modes.
- **DUCTED MODE:** Fire proof ducting system of 150 mm diameter vent the fumes through a suitable outlet, In the ducted mode, only the aluminium grease filters are installed.
- **RECIRCULATING MODE:** Fumes are filtered for grease and odour through the aluminium grease filters and the charcoal filters respectively and re-introduced into the kitchen environment. In re-circulating mode, both the aluminium grease filters and the charcoal filters must be installed.



Instructions for use

Hood Control Buttons

OFF turns off the hood



low speed setting



high speed setting



turns the light on / off

Cleaning & Maintenance

*Always switch off and unplug first !

- Surfaces : Wash with warm soapy water and a soft sponge. Never use abrasive detergent, scouring pads, steel wool or solvents on any part of this appliance as this will cause irreparable damage.
- Aluminium grease filters : Wash in the dishwashers or soak the panels in a degreasing agent for an hour, then rinse off and dry before re-installing.
- Charcoal filters : Charcoal cannot be reused. They must be replaced with the appropriate types once a year or depending on the frequency of appliance usage.

Caution !

- For this appliance to function effectively, regular maintenance is a must.
- Clogged filters restrict airflow and may cause the motor to overheat.
- Heavy accumulation of grease deposit on the filters is a fire hazard.

For the Installer

Connection to the electrical supply

- Electrical connection must be made only in accordance to local standards and laws.
- Ensure that the electrical supply complies with the setting on this appliance, otherwise, do not connect.
- Always ensure that wires do not come in contact with moving parts and are not crushed.
- Replacement halogen bulbs must not exceed 20W.
- This appliance must be connected to earth.

Installation

- Use suitable bolts to mount the appliance on a secure surface.
- Ensure that the distance between the cooking appliance is at least 75 cm from the lower part of the hood.
- The location of the installation must have permanent openings for ventilation.

SPECIFICATIONS		
Rated Power		
	Motor	198 W
	Lamps	2 x 20W
Air flow		840 ± 60m ³ /hr
Electric supply		240V50Hz