



USER MANUAL
HƯỚNG DẪN SỬ DỤNG

Model: MOV-575 AMG



Safety

Attention, the glass is an extremely fragile.
Always wear gloves when handling.

For your safety, this product is made of tempered glass. This type of glass is highly resistant but has the feature to retain the "memory" of shocks.
Therefore, it should handle the product with the greatest care to avoid shocks and twists, especially during installation.

Avoid installing this type of product in areas where it would be highly exposed to shocks.

Do not let children play with the product.

Do not stick adhesive film on the glass surface. In case of breakage, it would generate large pieces that could be dangerous

Contents

1. INTRODUCTION

- Read this manual carefully before assembling, installing or using the appliance. It contains important information for your safety, and the use and maintenance of the unit.
- Follow all safety instructions to avoid any damage that may result from assembly, installation or use incorrect! Heed all warnings on the appliance.
- Keep this instruction manual for future reference.

2. SAFETY

IMPORTANT!

Always turn off the power before installing or servicing.

General Information

- o This appliance is designed for domestic household use and can be built into a standard kitchen cabinet or housing unit.
- o **IMPORTANT:** The adjacent furniture or housing and all materials used in the installation must be able to withstand a minimum temperature of 85°C above the ambient temperature of the room it is located in, whilst in use.
- o Certain types of vinyl or laminate kitchen furniture are particularly prone to heat damage or discolouration at temperatures below the guidelines given above.
- o Any damage caused by the appliance being installed in contravention of this temperature limit, or by placing adjacent cabinet materials closer than 4mm to the appliance, will be the liability of the owner.
- o For use in leisure accommodation vehicles, please refer to the appropriate information given in the installation instructions for this appliance.
- o The use of this appliance for any other purpose or in any other environment without the express agreement of our company will invalidate any warranty or liability claim.
- o Your new appliance is guaranteed against electrical or mechanical defects, subject to certain exclusions that are noted in our company's Conditions Of Guarantee. The foregoing does not affect your statutory rights.
- o Repairs may only be carried out by Service Engineers or authorized service agent.

Warning and safety instructions

- o This appliance complies with all current European safety legislation. We do wish to emphasise that this compliance does not remove the fact that the appliance surfaces will become hot during use and retain heat after operation.

Child Safety

- o We strongly recommend that babies and young children are prevented

from being near to the appliance and not allowed to touch the appliance at any time.

- o If it is necessary for younger family members to be in the kitchen, please ensure that they are kept under close supervision at all times.

General Safety

- o This appliance is not intended for use by persons (including children) with reduced physical sensory or mental capabilities, or lack of experience and knowledge, unless they have been given supervision or instruction concerning use of the appliance by a person responsible for their safety.
- o Do not place heavy objects on the oven door or lean on the oven door when it is open, as this can cause damage to the oven door hinges.
- o Do not leave heated oil or fat unattended, as this is a fire risk.
- o Do not place pans or baking trays directly on the base of the oven cavity, or line it with aluminium foil.
- o Do not allow electrical fittings or cables to come into contact with areas on the appliance that get hot.
- o Do not use the appliance to heat the room it is located in or to dry clothing.
- o Do not install the appliance next to curtains or soft furnishings.
- o Do not attempt to lift or move cooking appliances by using the oven door or handle, as this may cause damage to the appliance or result in injury to the person lifting the appliance.

Cleaning

- o Cleaning of the oven should be carried out on a regular basis.
- o Great care should be taken whilst using this appliance and when following the cleaning procedure.
- o **IMPORTANT:** The appliance must be disconnected from the mains before following the cleaning procedure.

Installation

This appliance must be correctly installed by a suitably qualified person, strictly in accordance with the manufacturer's instructions.

- o We decline any responsibility for injury or damage, to person or property, as a result of improper use or installation of this appliance.
- o Heat, steam and moisture will be created during use of the appliance, take care to avoid injury and ensure that the room is adequately ventilated. If the appliance is going to be used for prolonged periods of time, then additional ventilation may be required.
- o Please consult with your qualified installer if you are in any doubt about the

Contents

amount of ventilation that you will require.

3. INTENDED USE

• This unit is designed for cooking food. Do not use for any other purpose (for storage, for example). Any other use may damage the device or cause injury.

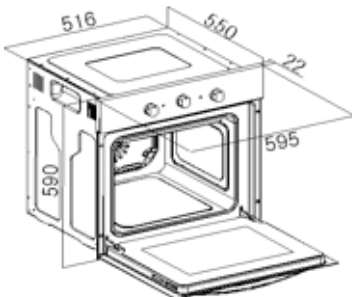
4. PARTS SUPPLIED

No.	Description	Quantity
1	Back Pan and Small Rack	1
2	Oven Rack	1
3	Tray Handle	1

5. INSTALLATION

• Sufficient ventilation: When installing, make sure the unit is well ventilated.

6. SPECIFICATIONS



Dimensions

Height: 590 mm

Width: 595 mm

Depth: 550 mm

Specifications

5 functions

Oven capacity: 57 litres

Thermostatically controlled grill

Cooling fan

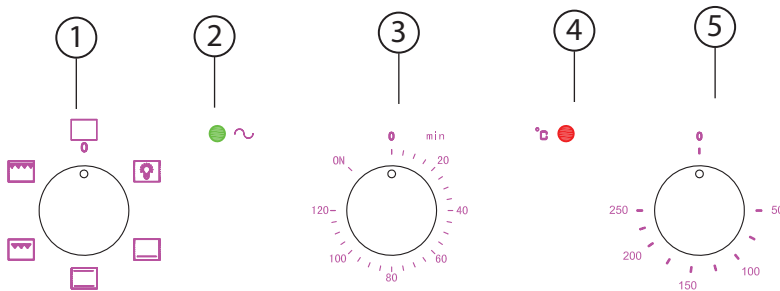
Cooling fan

A tangential cooling fan is fitted inside of this appliance, to make the internal temperature of the oven stable and the external surface temperature lower. After the oven has been used the cooling fan will run on for a period of time, until the oven is sufficiently cooled.

Electrical details

Rated Voltage:	220-240 Vac 50 Hz
Max Rated Inputs:	2300W
Mains Supply Lead:	3 x 1.5mm ²
Oven Light Bulb:	25 W/300°C screw type pigmy

Panel



1. function select
2. power indicator light
3. knob for timer
4. oven operating light
5. knob for temperature control

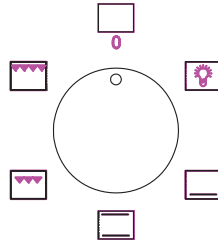
IMPORTANT

Cut off the power after the ring reminds. If you have finished broiling, you should turn the knobs for function selector and temperature control to "0".

Selecting a cooking function and temperature

- 1, After the oven is connected to the main electricity supply, the indicator of power flashes. Set the temperature after selecting the cooking function.
- 2, The knobs for function select make it possible to select the cooking mode you want. Different heating elements will work according to the cooking function you select. When certain cooking function is selected, the indicator of power will flash.

Contents



The oven has 5 operating modes



Light: Interior light



Bottom Heat: This is setting allows you use lower element for slow-cooking recipes or warming up meals



Conventional Oven: A conventional oven works on the principle that heat rises, it is hotter at the top than at the bottom-ideal for cooking different dishes simultaneously.



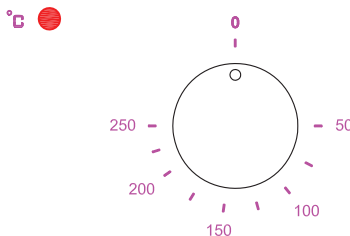
Half Grill: This feature use only inner part of top element which directs heat downward onto the food & idea for grilling small portion of bacon, toast, meat, etc.



Full Grill: This method of cooking utilises the inner and outer parts of the top element, which directs heat downwards onto the food. This function is suitable for grilling medium or large portions of sausages, bacon, steaks, fish etc.

Thermostat control knob

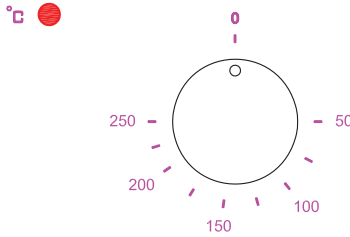
The oven thermostat control knob sets the required temperature of the oven. It is possible to regulate the temperature within a range of 50 - 250°C. Turn the control knob clockwise.



Oven operating light

This light will come on to indicate that the oven's heating elements are in operation. The light will turn off when the temperature set on the thermostat control knob has been reached. It will cycle on and off throughout the cooking time.

You should not place food inside the cavity, until the correct cooking temperature has been reached.



Cooking guidelines

- o Please refer to the information given on food packaging for guidance on cooking temperatures and times. Once familiar with the performance of your appliance, temperatures and times can be varied to suit personal preference.
- o If you are using the fan oven function, then you should follow the information given on the food packaging for this particular mode of cooking.
- o Make sure that frozen foods are thoroughly thawed before cooking, unless the instructions on the food packaging advise that you can “cook from frozen”.
- o You should pre-heat the oven and not place food inside of it until the oven operating light has gone off. You can choose not to pre-heat when using the fan oven mode; however you should extend the cooking time given on the food packaging by approximately ten minutes.
- o Before cooking, check that any accessories that are not required are removed from the oven.
- o Place cooking trays in the centre of the oven and leave gaps between the trays to allow air to circulate.
- o Try to open the door as little as possible to view the dishes.
- o The oven light will remain on during cooking.

Warnings

- o Keep the oven door closed when using any of the grill functions.
- o Do not use aluminium foil to cover the grill pan or heat items wrapped in aluminium foil under the grill. The high reflectivity of the foil could potentially damage the grill element.

Contents

- o You should also never line the base of your oven with aluminium foil.
- o During cooking, never place pans or cookware directly onto the bottom of your oven. They should always be placed on the shelves provided.
- o The grill heating element and other internal components of the oven becomes extremely hot during operation, avoid touching it inadvertently when handling the food which you are grilling.
- o Important: Be careful when opening the door, to avoid contact with hot parts of the oven and steam.
- o The drip tray handle should only be used to reposition the drip tray and NOT for removing it from the oven cavity. When removing the drip tray, you should ALWAYS use an oven glove.
- o The drip tray handle should not be left in position when the appliance is switched on.
- o A steam cleaner is not to be used.
- o Warning: Accessible parts may become hot during use. Young children should kept well away when in use.
- o Do not use harsh abrasive cleaners or metal scrapers to clean the oven door glass as this can scratch the surface, which may result in the oven glass shattering.

Cleaning and maintenance

Cleaning operations must only be carried out when the oven is cool.

The appliance should be disconnected from your mains supply before commencing any cleaning process.

- o The oven should be thoroughly cleaned before it is operated for the first time and after each use. This will avoid residual food stuffs becoming baked on the oven cavity. After residues have been baked on several times, they are far more difficult to remove.
- o Never clean the oven surfaces by steam cleaning.
- o The oven cavity should only be cleaned with warm soapy water, using either a sponge or soft cloth. No abrasive cleaners should be used.
- o Any stains that may appear on the bottom of the oven will have originated from food splashes or spilt food, these splashes occur during the cooking process. These could possibly be a result of the food being cooked at an excessively high temperature or being placed in cookware that is too small.
- o You should select a cooking temperature and function that is appropriate for the food that you are cooking. You should also ensure that the food is placed in an adequately sized dish and that you use the drip tray where appropriate.
- o Outer parts of the oven should only be cleaned with warm soapy water, using either a sponge or soft cloth. No abrasive cleaners should be used.

- o If you use any form of oven cleaner on your appliance, then you must check with the manufacturer of the cleaner that it is suitable for use on your appliance.
- o Any damage that is caused to the appliance by a cleaning product will not be fixed free of charge, even if the appliance is within the guarantee period.

Replacing the oven bulb

IMPORTANT: The oven must be disconnected from your mains supply before you attempt to either remove or replace the oven bulb.

- o Unscrew the lamp cover anti-clockwise.
- o Unscrew the bulb anti-clockwise and remove from its holder.
- o Replace the bulb with a 25 W/300°C, screw type pigmy.
- o Do not use any other type of bulb.
- o Screw the lamp cover back into position and then restore power to the appliance.

INSTALLATION

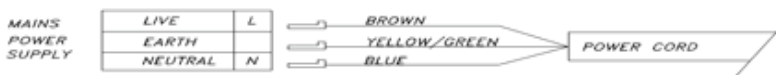
The installation must be carried out by a suitably qualified person, in accordance with the current version of the following.

- o UK Regulations and Safety Standards or their European Norm Replacements.
- o Building Regulations (issued by the Department of the Environment).
- o Building Standards (issued by the Scottish Development Department).
- o IEE Wiring Regulations.
- o Electricity At Work Regulations.

Before connecting the appliance, make sure that the supply voltage marked on the Rating Plate corresponds with your mains supply voltage.

WARNING: THIS APPLIANCE MUST BE EARTHED.

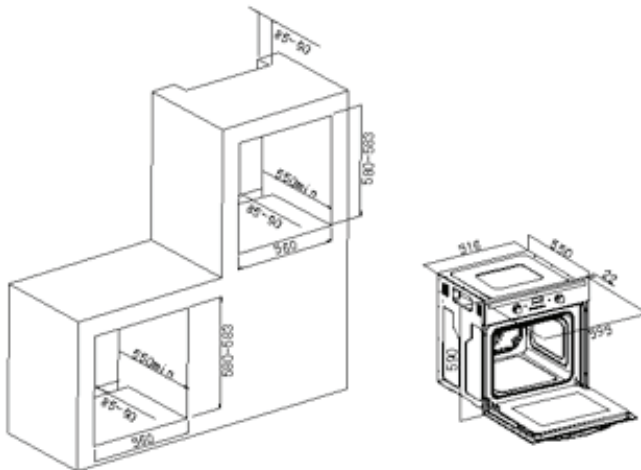
- o This appliance should be wired into a 13 A double pole switched fused spur outlet, having 3 mm contact separation and placed in an easily accessible position adjacent to the appliance. The spur outlet must still be accessible even when your oven is located in its housing to enable the appliance to be disconnected from the mains supply.



Contents

- o To connect the oven power cord, loosen and remove the cover on the terminal block, in order to gain access to the contacts inside. Make the connection, securing the cord in place with the cable clamp provided and then immediately close the terminal block cover again.
- o If you have to change the oven power cord, the earthing (yellow/green) conductor must always be 10 mm longer than the line conductors.
- o Care must be taken to ensure that the temperature of the mains supply cable does not exceed 50°C.
- o If the mains supply cable is damaged, then it must be replaced by an appropriate replacement which can be obtained from Spares Department.

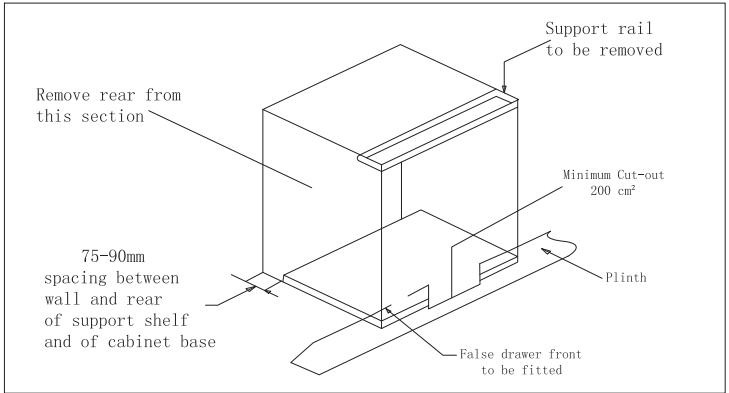
Installing the oven into the kitchen cabinet



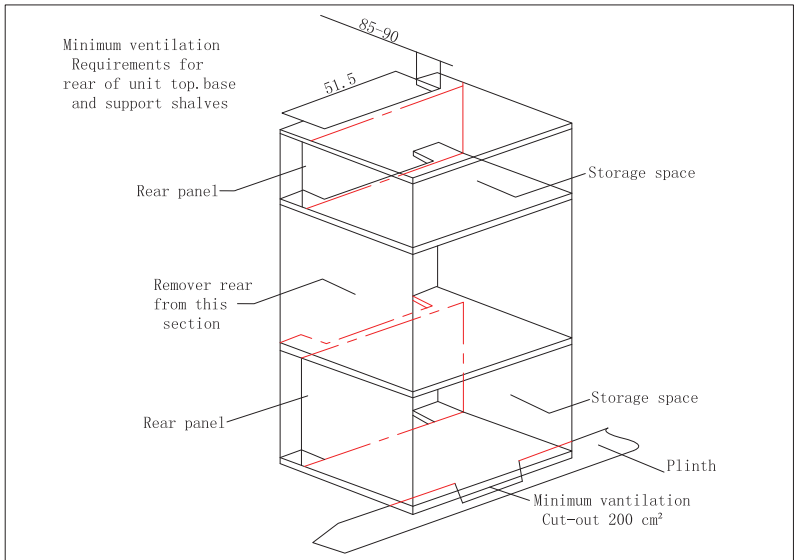
Positioning the appliance

- o Ensure that the aperture that you will be fitting the oven into is of the size given in the above diagram.
- o The oven must be fitted into an oven housing with the ventilation cut-outs shown in the "Ventilation requirements" section on the next page.
- o Ensure that the rear panel of the furniture housing unit has been removed.

Ventilation requirements

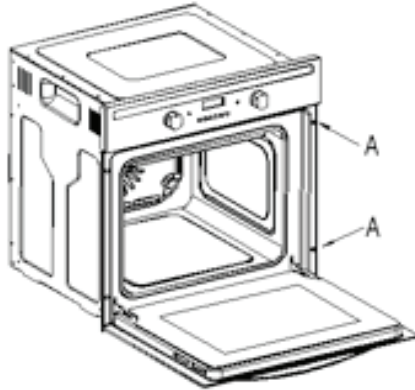


(Figure shows the ventilation and cut-out requirements for the installation of the appliance into a standard kitchen unit).



(Figure shows the ventilation and cut-out requirements for the installation of the appliance into a tall housing unit).

Contents



Ensure that the oven has been securely fixed into the housing unit. The fixing of the oven into the housing is made by using four screws. These should be screwed through the oven

IMPORTANT: If your appliance appears to be malfunctioning, please contact the dealer.

DO NOT ATTEMPT TO REPAIR THE APPLIANCE YOURSELF.

ENVIRONMENTAL PROTECTION



This product is marked with the symbol on the selective sorting of waste electrical and electronic equipment. This means that this product must not be disposed of with household waste but must be supported by a system of selective collection in accordance with Directive 2002/96/EC. It will then be recycled or dismantled to minimize impacts on the environment, electrical and electronic products are potentially dangerous for the environment and human health due to the presence of hazardous substances.

For more information, please contact your local or regional authorities.

IMPORTANT: If your appliance appears to be malfunctioning, please contact the dealer.

1. GIỚI THIỆU

- Đọc kỹ hướng dẫn sử dụng này trước khi lắp đặt hoặc sử dụng thiết bị. Hướng dẫn sử dụng chứa đầy đủ thông tin quan trọng cho sự an toàn của bạn, và cho việc sử dụng thiết bị.
- Làm theo tất cả các hướng dẫn an toàn để tránh những hư hỏng có thể xảy ra do lắp đặt hoặc sử dụng sai! Chú ý tất cả các cảnh báo trên thiết bị.
- Giữ sổ tay hướng dẫn này để tham khảo trong tương lai.

2. AN TOÀN

QUAN TRỌNG!

Luôn luôn tắt nguồn điện khi lắp đặt hoặc bảo trì thiết bị.

Thông Tin Cơ Bản

- o Thiết bị này được thiết kế cho sử dụng trong gia đình và được lắp đặt trong tủ bếp.
- o **QUAN TRỌNG:** Đồ đạc hoặc tất cả các vật liệu được sử dụng trong nhà bếp phải có khả năng chịu được nhiệt độ tối thiểu là 85 °C trên nhiệt độ môi trường xung quanh của căn phòng trong khi sử dụng.
- o Một số loại đồ nội thất bằng nhựa dẻo hoặc gỗ laminate, đặc biệt dễ bị hư hỏng hoặc biến màu ở nhiệt độ thấp hơn 85 °C.
- o Bất kỳ thiệt hại gây ra bởi thiết bị đang được lắp đặt không đúng, không phù hợp với giới hạn nhiệt độ này, hoặc bằng cách đặt các vật liệu gần 4mm đến thiết bị, nhà sản xuất không chịu bất cứ trách nhiệm nào.
- o Để sử dụng hợp lý, vui lòng tham khảo phần thông tin được cung cấp trong hướng dẫn lắp đặt cho thiết bị này.
- o Việc sử dụng thiết bị này cho bất kỳ mục đích nào khác hoặc trong bất kỳ môi trường khác nếu không có sự đồng ý rõ ràng của công ty chúng tôi, chúng tôi sẽ không chịu trách nhiệm hoặc bồi thường nào.
- o Thiết bị mới của bạn được đảm bảo không bị hư hỏng về điện hoặc cơ khí, đáp ứng như cầu trong điều kiện bảo hành của công ty chúng tôi.
- o Khi tiến hành bảo trì hoặc thay thế thiết bị nên được thực hiện bởi nhân viên kỹ thuật hoặc nhân viên kỹ thuật được ủy quyền.

Cảnh Báo và Hướng Dẫn An Toàn

- o Thiết bị này tuân thủ tất cả các quy định về an toàn theo tiêu chuẩn của Châu Âu hiện nay. Chúng tôi làm muốn nhấn mạnh rằng sự tuân thủ này không loại bỏ được thực tế, bề mặt thiết bị sẽ trở nên nóng trong quá trình sử dụng và giữ nhiệt sau khi hoạt động.

An Toàn Trẻ Em

- o Chúng tôi khuyên rằng trẻ em và trẻ sơ sinh nên được giữ khoảng cách an toàn với thiết bị và yêu cầu không được cho trẻ em chơi đùa với thiết bị, chạm vào

Nội Dung

thiết bị.

o Nếu trẻ em được sử dụng thiết bị, vui lòng luôn đảm bảo rằng có người giám sát trong suốt thời gian mà trẻ sử dụng thiết bị.

An Toàn Cơ Bản

o Đối với người không có năng lực về thể chất, giác quan hoặc tâm thần hoặc thiếu kinh nghiệm và kiến thức (bao gồm cả trẻ em) thì họ cần được giám sát hoặc hướng dẫn sử dụng thiết bị một cách an toàn và tránh được những mối nguy hiểm có tính liên quan.

o Không được đặt bất cứ các vật nặng lên trên cửa lò hoặc bên dưới cửa lò khi cửa lò nướng được mở, chính vì những điều đó có thể gây nguy hiểm cho người sử dụng và làm hư hỏng cửa.

o Không nên để dầu, mỡ bên trong lò nướng khi bật khởi động không có giám sát, điều đó có thể gây ra nguy hiểm như là cháy.

o Không nên đặt chảo hoặc khay nướng trực tiếp lên trên khoang lò, hoặc giấy nhôm lên trên khoang lò.

o Không để các phụ kiện hoặc cáp dây điện tiếp xúc với các khu vực trên thiết bị làm nóng của lò nướng.

o Không sử dụng thiết bị để làm lò sưởi cho căn phòng hoặc để sấy khô quần áo.

o Không nên lắp đặt thiết bị kế bên cạnh rèm hoặc những đồ nội thất dễ cháy.

o Không cố nâng hoặc di chuyển thiết bị bằng cách sử dụng cửa lò hoặc tay cầm vì điều này có thể gây hư hỏng cho thiết bị hoặc gây thương tích cho người nâng thiết bị.

Vệ Sinh

o Phải thường xuyên vệ sinh lò nướng.

o Phải chăm sóc và cẩn thận sử dụng thiết bị, luôn thực hiện các bước vệ sinh

o **QUAN TRỌNG:** Phải tháo thiết bị khỏi nguồn điện trước khi vệ sinh.

Lắp Đặt

Thiết bị cần được lắp đặt bởi nhân viên kỹ thuật, và thực hiện theo các bước hướng dẫn của nhà sản xuất yêu cầu.

o Chúng tôi từ chối trách nhiệm về thương tật hoặc thiệt hại cho người hoặc tài sản do sử dụng không đúng cách hoặc lắp đặt thiết bị này không đúng cách.

o Nhiệt, hơi nước và độ ẩm sẽ được tạo ra trong quá trình sử dụng thiết bị, cẩn thận để tránh gây ra nguy hiểm cho người sử dụng và đảm bảo rằng phòng được thông gió đầy đủ. Nếu thiết bị được sử dụng trong thời gian kéo dài, thì cần phải có thêm thông gió.

o Vui lòng tham khảo ý kiến của nhân viên kỹ thuật nếu bạn có bất kỳ nghi

ngờ về lượng thông gió không đạt yêu cầu để được hướng dẫn thêm.

3. SỬ DỤNG

• Thiết bị này được sử dụng để nướng. Không sử dụng cho bất kỳ mục đích nào khác (ví dụ như để lưu trữ). Bất kỳ việc sử dụng nào khác có thể làm hỏng thiết bị hoặc gây thương tích.

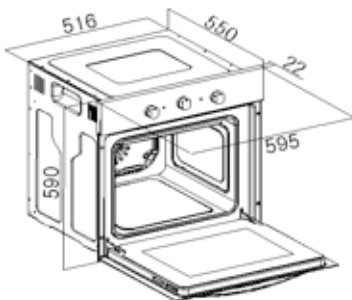
4. PHỤ KIỆN

STT	Diễn giải	Số lượng
1	Khay nướng và vỉ nướng nhỏ	1
2	Vỉ nướng	1
3	Kẹp vỉ nướng	1

5. LẮP ĐẶT

• Thông gió: Khi lắp đặt, đảm bảo rằng lò được thông gió tốt.

6. THÔNG SỐ



Kích Thước

Chiều Cao: 590 mm

Chiều Ngang: 595 mm

Chiều Sâu: 550 mm

Thông số

5 Chức năng

Dung tích lò nướng: 57 Lít

Lò nướng điều chỉnh nhiệt

Quạt tản nhiệt

Nội Dung

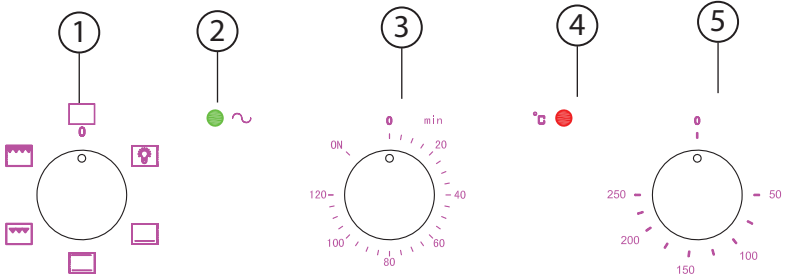
Quạt Tản Nhiệt

o Quạt tản nhiệt được lắp bên trong thiết bị, để làm cho nhiệt độ bên trong của lò ổn định và nhiệt độ bề mặt bên ngoài thấp hơn. Sau khi lò hoạt động, quạt làm mát sẽ chạy trong một khoảng thời gian, cho đến khi lò được làm mát đủ.

Thông Số Điện

Nguồn điện cấp : 220-240 Vac 50 Hz
Công suất tối đa : 2300W
Dây Cấp Nguồn : 3 x 1.5mm²
Đèn lò nướng : 25 W/300°C

Bảng Điều Khiển



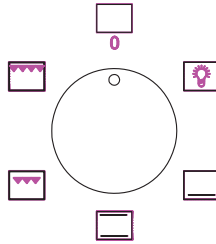
1. Chọn chức năng
2. Đèn hiển thị công suất
3. Chọn thời gian
4. Đèn hiển thị hoạt động
5. Chọn nhiệt độ

Quan Trọng

Ngắt điện sau khi âm thanh được báo hoàn thành nướng. Nếu bạn đã nướng xong, bạn nên xoay núm lựa chọn chức năng về vị trí ban đầu và điều khiển nhiệt độ thành "0".

Cài Đặt Chức Năng Và Nhiệt Độ

- 1, Sau khi lò nướng được kết nối nguồn điện, đèn công suất sẽ báo sáng. Cài đặt nhiệt độ sau khi đã cài đặt chức năng
- 2, Vị trí cho chức năng được cài đặt chọn chế độ nướng mà bạn muốn. Các yếu tố làm nóng khác nhau sẽ hoạt động theo chức năng nướng bạn chọn. Khi chọn một số chức năng nướng, đèn báo công suất sẽ nhấp nháy.



Lò Nướng gồm có 5 chức năng



Đèn : đèn bên trong lò nướng



Nướng dưới : Chức năng này giúp bạn sử dụng bộ phận nướng dưới cho nướng chậm hoặc hâm nóng thức ăn.



Nướng đối lưu : Lò nướng hoạt động trên nguyên tắc tăng nhiệt độ, nóng hơn ở phía trên kết hợp với nướng dưới cùng lúc để nướng các món ăn đồng thời.



Nướng trung bình : Tính năng này chỉ sử dụng nướng trung bình thích hợp làm nóng thức ăn và ý tưởng để nướng một ít thịt lợn muối, bánh mì nướng, thịt, vv

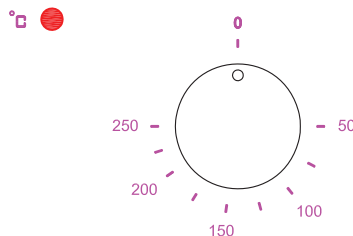


Nướng trên: Phương pháp nướng này sử dụng nướng trên, dẫn nhiệt xuống dưới lên trên bề mặt thức ăn. Chức năng này thích hợp cho việc nướng các phần vừa hoặc lớn của xúc xích, thịt xông khói, thịt nướng, cá, vv

Núm Vặn Điều Khiển Nhiệt Độ

Nút điều chỉnh nhiệt lò nướng, cài đặt nhiệt độ nhu cầu của người dùng. Có thể điều chỉnh nhiệt độ trong khoảng từ 50 đến 250 ° C.

Xoay núm điều khiển theo chiều kim đồng hồ.

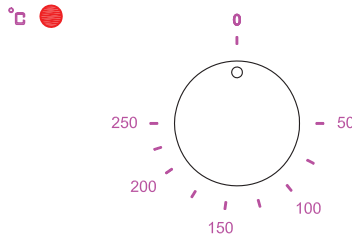


Nội Dung

Đèn Báo Của Lò Nướng

Đèn báo của lò nướng này sẽ xuất hiện để chỉ ra rằng các bộ phận làm nóng của lò đang hoạt động. Đèn sẽ tắt khi nhiệt độ đặt trên núm điều khiển nhiệt đã đạt tới. Đèn sẽ có những chu kỳ và tắt trong suốt thời gian nướng.

Bạn không nên đặt thức ăn vào trong khoang, cho đến khi đạt được nhiệt độ nướng chính xác.



Hướng Dẫn Nướng

- o Vui lòng tham khảo thông tin về bao bì thực phẩm để được hướng dẫn về nhiệt độ nướng và thời gian. Sau khi quen với hiệu suất của thiết bị, nhiệt độ và thời gian có thể thay đổi tùy theo sở thích cá nhân.
- o Nếu bạn đang sử dụng lò nướng có chức năng quạt tản nhiệt, bạn nên thực hiện làm theo các thông tin được đưa ra trên bao bì thực phẩm cho các chế độ nướng đặc biệt.
- o Đảm bảo rằng thực phẩm đông lạnh được rã đông kỹ trước khi nướng, trừ khi hướng dẫn về bao bì thực phẩm khuyên rằng bạn có thể "nướng từ thực phẩm đông lạnh".
- o Bạn nên làm nóng lò trước và không để thực phẩm bên trong nó cho đến khi đèn báo của lò nướng tắt khi đạt đến nhiệt độ thích hợp. Tuy nhiên bạn nên kéo dài thời gian nướng được đưa ra trên bao bì thực phẩm khoảng một ít phút.
- o Trước khi nướng, hãy kiểm tra xem các phụ kiện không cần thiết phải được lấy ra khỏi lò nướng.
- o Đặt các khay nướng ăn ở giữa lò và để khoảng cách giữa các khay để cho không khí lưu thông.
- o Mở cửa lò nướng từ từ, càng ít càng tốt để xem các món ăn.
- o Đèn lò sẽ vẫn sáng trong khi nướng.

Lưu ý

- o Khi lò không hoạt động, luôn luôn đóng cửa lò nướng lại.
- o Không sử dụng lá nhôm để che nồi chảo hoặc các bộ phận nhiệt nướng dưới được bọc bằng lá nhôm. Độ phản chiếu cao của lá có thể làm hỏng phần

nướng.

- o Trong khi nướng, không bao giờ đặt chảo hoặc dụng cụ nướng trực tiếp lên đáy lò nướng. Luôn luôn phải được đặt trên các kệ của lò nướng.
- o Bộ phận nung nướng và các bộ phận bên trong khác của lò trở nên cực kỳ nóng trong quá trình hoạt động, trong khi đang nướng thức ăn tránh chạm vào các bộ phận làm nóng.
- o Quan trọng: Cẩn thận khi mở cửa, để tránh tiếp xúc với các bộ phận nóng của lò nướng và hơi nước nóng bốc ra.
- o Luôn luôn sử dụng găng tay nướng để lấy vỉ nướng, khay nướng ra khỏi lò. Và luôn sử dụng găng tay lò nướng để thực hiện các thao tác.
- o Không nên sử dụng dụng cụ gấp vỉ nướng khi lò đang bật.
- o Không được vệ sinh lò nướng bằng máy làm sạch bằng hơi nước.
- o Cảnh báo: Các bộ phận có thể bị nóng trong quá trình sử dụng. Trẻ nhỏ nên tránh xa khi lò nướng đang hoạt động.
- o Không sử dụng chất làm sạch ăn mòn hoặc chà nhám kim loại để lau, vệ sinh cửa kính lò nướng, vì có thể làm trầy xước bề mặt, có thể dẫn đến gây vỡ kính lò.

Vệ Sinh và Bảo Trì

Các thao tác vệ sinh lò nướng chỉ được thực hiện khi lò nướng không nóng.

Thiết bị này phải được ngắt khỏi nguồn cung cấp điện của bạn trước khi bắt đầu quá trình vệ sinh.

- o Lò nướng phải được làm sạch trước khi vận hành lần đầu tiên và sau mỗi lần sử dụng. Điều này sẽ tránh các thực phẩm dư thừa còn sót lại trên khoang lò. Sau khi cần đã được nướng nhiều lần, chúng rất khó khăn để loại bỏ và vệ sinh.
- o Không được vệ sinh bề mặt lò nướng bằng máy làm sạch bằng hơi nước.
- o Lò nướng chỉ nên được làm sạch bằng nước xà phòng ấm, sử dụng một miếng bọt biển hoặc vải mềm. Không nên sử dụng chất tẩy rửa gây ăn mòn.
- o Bất kỳ vết bẩn nào có thể xuất hiện ở dưới cùng của lò là nguồn gốc từ đồ ăn hoặc thực phẩm đổ, những vết bẩn này xảy ra trong quá trình nướng, kết quả của thức ăn nấu ở nhiệt độ quá cao hoặc được đặt trong dụng cụ nướng quá nhỏ.
- o Bạn nên chọn nhiệt độ và chức năng nấu ăn phù hợp với thực phẩm bạn nướng. Bạn cũng nên đảm bảo rằng thực phẩm được đặt trong một cái đĩa có kích thước phù hợp và bạn sử dụng khay hứng mỡ khi cần thiết.
- o Các bộ phận bên ngoài của lò chỉ nên được làm sạch bằng nước xà phòng ấm, sử dụng một miếng bọt biển hoặc vải mềm. Không nên sử dụng chất tẩy rửa gây ăn mòn.
- o Nếu bạn sử dụng lò nướng và các thiết bị khác, bạn phải kiểm tra với nhà sản xuất để sử dụng chất tẩy rửa thích hợp về việc sử dụng trên thiết bị của bạn.

Nội Dung

o Bất kỳ thiệt hại nào gây ra cho thiết bị bằng sản phẩm vệ sinh gây ăn mòn, hư hỏng sẽ không được sửa chữa miễn phí, ngay cả khi thiết bị đang trong thời gian bảo hành.

Thay thế bóng đèn

Quan Trọng : Lò nướng phải được ngắt khỏi nguồn cung cấp điện của bạn trước khi bạn tháo hoặc thay thế bóng đèn lò.

- o Vặn nắp đèn theo chiều kim đồng hồ.
- o Tháo ốc ngược theo chiều kim đồng hồ và lấy ra khỏi giá đỡ.
- o Thay thế bóng đèn với 25 W / 300 ° C.
- o Không sử dụng bất kỳ loại bóng đèn nào khác.
- o Vặn nắp đèn trở lại vị trí và sau đó cấp nguồn điện cho thiết bị.

LẮP ĐẶT

Việc lắp đặt phải được tiến hành bởi nhân viên kỹ thuật có trình độ phù hợp, phù hợp với các quy định hiện hành và an toàn.

- o Các Quy định và Tiêu chuẩn An toàn của Vương quốc Anh hoặc các tiêu chuẩn lắp đặt theo Tiêu chuẩn Châu Âu.
- o Quy định xây dựng (do Bộ Môi trường ban hành).
- o Các tiêu chuẩn xây dựng
- o Các quy định về an toàn điện IEE.
- o Quy định về điện ở nơi làm việc,.

Trước khi nối thiết bị, hãy đảm bảo rằng điện áp cung cấp được đánh dấu trên tem thông số tương ứng với điện áp cung cấp nguồn.

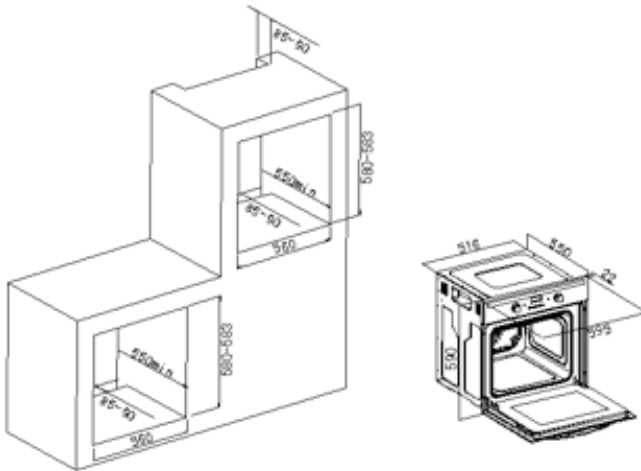
LƯU Ý: THIẾT BỊ CẦN ĐƯỢC NỐI ĐẤT

o Thiết bị này nên được nối vào ổ cắm điện hoặc CB chịu tải 13A, có cách li tiếp xúc 3 mm và đặt ở vị trí dễ tiếp cận gần thiết bị. Nguồn cấp điện phải được tiếp cận ngay cả khi lò nướng của bạn nằm trong tủ bếp và cho phép thiết bị có thể ngắt khỏi nguồn cung cấp điện khi cần thiết.



- o Để nối dây nguồn lò nướng, nối lỏng và tháo hộp nối nguồn, để có thể tiếp cận các điểm dây kết nối bên trong hộp. Thực hiện kết nối, bảo đảm dây điện tại điểm kết nối chắc chắn và sau đó đóng nắp hộp nối nguồn lại.
- o Nếu bạn phải thay đổi dây nguồn của lò, dây dẫn nối đất (màu vàng / xanh) luôn luôn phải dài hơn dây dẫn dây 10mm.
- o Phải cẩn thận để đảm bảo rằng nhiệt độ của dây cáp cung cấp chính không vượt quá 50 ° C.
- o Nếu dây cáp nguồn bị hỏng, thì phải thay thế bởi nhân viên kỹ thuật hoặc liên hệ trực tiếp đến bộ phận chăm sóc khách hàng.

Lắp Đặt Lò Nướng Vào Trong Tủ Bếp

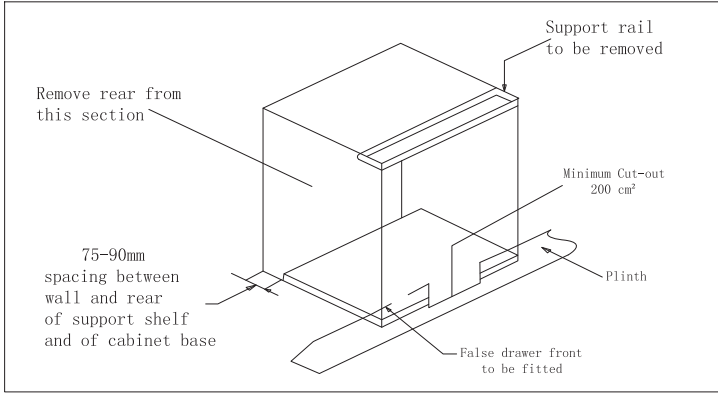


Vị Trí Của Thiết Bị

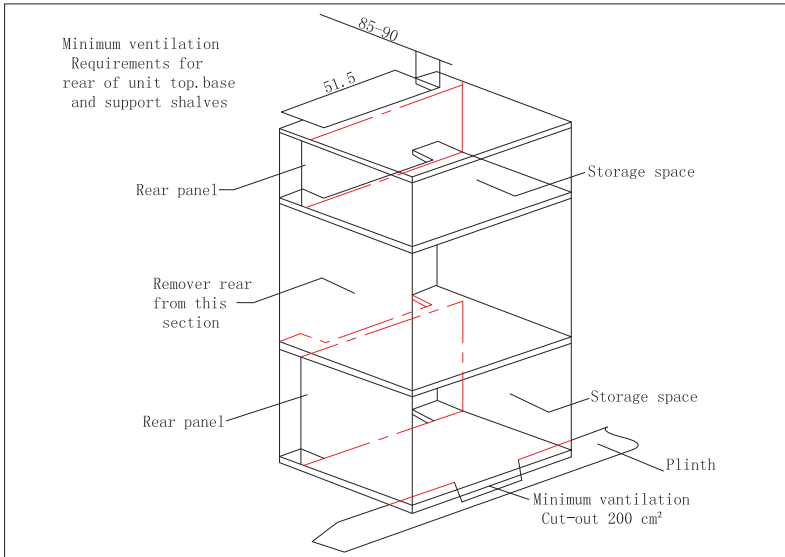
- o Đảm bảo rằng kích thước tủ bếp của bạn sẽ giống như kích thước được ghi trong sơ đồ trên.
- o Lò nướng phải được lắp tủ bếp và có khe thông gió được hiển thị trong phần "Yêu cầu thông gió" ở trang kế tiếp.
- o Đảm bảo rằng mặt sau của tủ bếp trống .

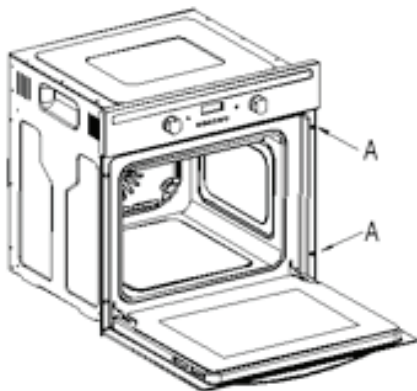
Nội Dung

Yêu Cầu Thông Gió



(Hình minh họa yêu cầu thông gió và để lắp đặt thiết bị vào một bộ bếp tiêu chuẩn).





Đảm bảo rằng lò đã được gắn cố định vào tủ bếp. Việc cố định lò vào trong tủ bếp được thực hiện bằng cách sử dụng bốn ốc vít.

Quan Trọng : Nếu thiết bị của bạn có sự cố hoặc hư hỏng, vui lòng liên hệ với đại lý, trung tâm chăm sóc khách hàng.

KHÔNG ĐƯỢC TỰ Ý THỰC HIỆN SỬA CHỮA THIẾT BỊ

BẢO VỆ MÔI TRƯỜNG



Sản phẩm này được đánh dấu bằng biểu tượng trên phân loại có chọn lọc các thiết bị điện. Điều này có nghĩa là sản phẩm này không được xử lý cùng với chất thải gia đình nhưng phải được hỗ trợ bởi hệ thống thu gom có chọn lọc theo Hướng dẫn 2002/96 / EC. Sau đó sẽ được tái chế hoặc tháo dỡ để giảm thiểu tác động lên môi trường, các sản phẩm điện và điện tử có nguy cơ gây nguy hiểm cho môi trường và sức khỏe con người do có các chất độc hại.

Để biết thêm thông tin, vui lòng liên hệ với chính quyền địa phương hoặc khu vực.

MALLOCA VIETNAM COMPANY LIMITED

Showroom:

279 Nguyen Van Troi Street, Ward 10, Phu Nhuan District, HCM City

Tel: (84) 28 39975 893 / 94

Fax: (84) 28 38447 102

Email: info@malloca.com

Customer Care:

Hotline: 1800 12 12

Email: chamsockh@malloca.com

CÔNG TY TNHH MALLOCA VIỆT NAM

Showroom:

279 Đường Nguyễn Văn Trỗi, Phường 10, Quận Phú Nhuận, TP.HCM

Điện Thoại: (84) 28 39975 893 / 94

Fax: (84) 28 38447 102

Email: info@malloca.com

Hệ thống chăm sóc khách hàng:

Hotline: 1800 12 12

Email: chamsockh@malloca.com

Trung tâm chính

279 Đường Nguyễn Văn Trỗi, Phường 10, Quận Phú Nhuận, TP.HCM

SĐT: (028) 39975 893 / 94 – (028) 39975 294 / 95

Khu vực Bà Rịa Vũng Tàu

258-260A Lê Hồng Phong, Phường 4, TP. Vũng Tàu

SĐT: (0254) 385 94 99

Khu vực Tây Nguyên

331 Phan Đình Phùng, Phường 2, TP. Đà Lạt

SĐT: (0263) 3521 107 – 0918226362

Khu vực Nam Trung Bộ

08 Lê Hồng Phong, Phường Phước Hải, TP. Nha Trang

SĐT: (0258) 3875 488

Khu vực Miền Tây

180 Trần Hưng Đạo, Phường An Nghiệp, Quận Ninh Kiều, TP. Cần Thơ

SĐT: (0292) 373 2035

Khu vực Miền Trung

211 Nguyễn Văn Linh, Phường Vĩnh Trung, Quận Thanh Khê, TP. Đà Nẵng

SĐT: (0236) 369 1906

Khu vực Miền Bắc

154 Thái Hà, Phường Trung Liệt, Quận Đống Đa, Hà Nội

SĐT: (024) 35376 288 – 093 462 92 98